

**PLEASE CHECK WWW.MOLEX.COM FOR LATEST PART INFORMATION**

**Part Number:** [0530480410](#)  
**Status:** **Active**  
**Overview:**  
**Description:** 1.25mm (.049") Pitch PicoBlade™ Header, Right Angle, 4 Circuits

**Documents:**

[3D Model](#) [Product Specification PS-51021-010 \(PDF\)](#)  
[Drawing \(PDF\)](#) [RoHS Certificate of Compliance \(PDF\)](#)

**General**

Product Family PCB Headers  
 Series [53048](#)  
 Application Wire-to-Board  
 Overview PicoBlade™#153;  
 Product Name PicoBlade™

**Physical**

Breakaway No  
 Circuits (Loaded) 4  
 Circuits (maximum) 4  
 Color - Resin Natural  
 First Mate / Last Break No  
 Glow-Wire Compliant No  
 Guide to Mating Part No  
 Keying to Mating Part None  
 Lock to Mating Part Yes  
 Mated Height (in) 0.138 In  
 Mated Height (mm) 3.50 mm  
 Material - Plating Mating Tin  
 Material - Resin Nylon  
 Number of Rows 1  
 Orientation Right Angle  
 PC Tail Length (in) 0.091 In  
 PC Tail Length (mm) 2.30 mm  
 PCB Locator No  
 PCB Retention None  
 PCB Thickness Recommended (in) 0.031 In  
 PCB Thickness Recommended (mm) 0.80 mm  
 Packaging Type Tray  
 Pitch - Mating Interface (in) 0.049 In  
 Pitch - Mating Interface (mm) 1.25 mm  
 Polarized to PCB No  
 Shrouded Fully  
 Stackable No  
 Temperature Range - Operating -40°C to +85°C  
 Termination Interface: Style Through Hole

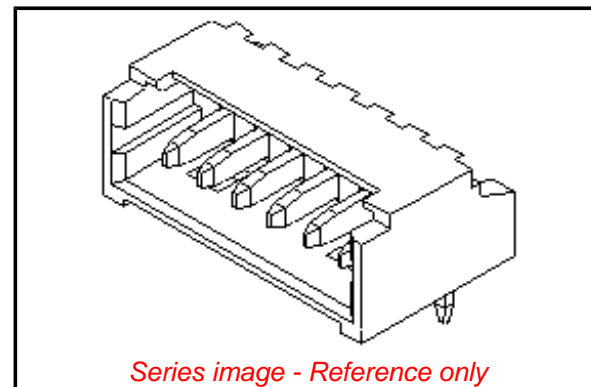
**Electrical**

Current - Maximum 1A  
 Voltage - Maximum 125V

**Material Info**

**Reference - Drawing Numbers**

Product Specification PS-51021-010  
 Product Specification RPS-51021-007  
 Product Specification RPS-51021-011  
 Product Specification RPS-51021-048



**EU RoHS**

**ELV and RoHS  
 Compliant**  
**REACH SVHC  
 Contains SVHC: No**  
**Halogen-Free  
 Status  
 Not Reviewed**

**China RoHS**



**Need more information on product  
 environmental compliance?**

Email [productcompliance@molex.com](mailto:productcompliance@molex.com)  
 Please visit the [Contact Us](#) section for any  
 non-product compliance questions.

**Search Parts in this Series**

[53048](#) Series

**Mates With**

[51021](#) PicoBlade™ Wire-to-Wire

Product Specification  
Product Specification  
Product Specification  
Product Specification  
Sales Drawing

RPS-51021-059  
RPS-51021-060  
RPS-51021-071  
RPS-51021-089  
SD-53048-\*\*10

This document was generated on 11/05/2009

**PLEASE CHECK [WWW.MOLEX.COM](http://WWW.MOLEX.COM) FOR LATEST PART INFORMATION**