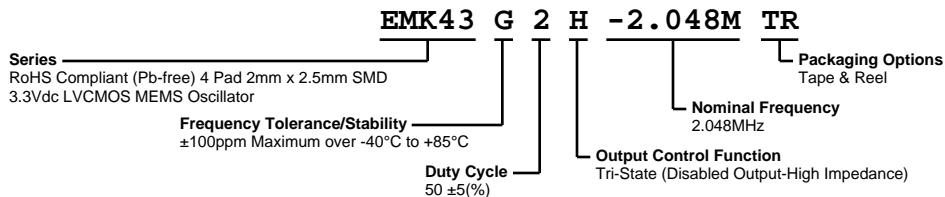


# EMK43G2H-2.048M TR



**ECLIPTEK**  
CORPORATION



## ELECTRICAL SPECIFICATIONS

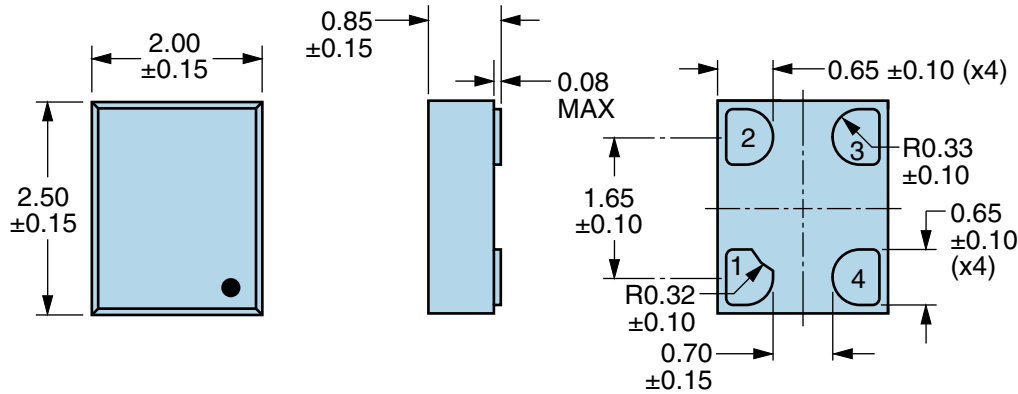
|                                 |   |
|---------------------------------|---|
| Nominal Frequency               | 2.048MHz  |
| Frequency Tolerance/Stability   | ±100ppm Maximum over -40°C to +85°C (Inclusive of all conditions: Calibration Tolerance at 25°C, Frequency Stability over the Operating Temperature Range, Supply Voltage Change, Output Load Change, First Year Aging at 25°C, 260°C Reflow, Shock, and Vibration) |
| Aging at 25°C                   | ±1ppm Maximum First Year  |
| Operating Temperature Range     | -40°C to +85°C  |
| Supply Voltage                  | 3.3Vdc ±10%   |
| Input Current                   | 20mA Maximum  |
| Output Voltage Logic High (Voh) | 90% of Vdd Minimum (IOH=-8mA)   |
| Output Voltage Logic Low (Vol)  | 10% of Vdd Maximum (IOL=+8mA)   |
| Rise/Fall Time                  | 2nSec Maximum (Measured from 20% to 80% of waveform)  |
| Duty Cycle                      | 50 ±5(%) (Measured at 50% of waveform)  |
| Load Drive Capability           | 15pF Maximum  |
| Output Logic Type               | CMOS  |
| Output Control Function         | Tri-State (Disabled Output-High Impedance)  |
| Output Control Input Voltage    | +0.7Vdd Minimum or No Connect to Enable Output, +0.3Vdd Maximum to Disable Output   |
| Peak to Peak Jitter (tPK)       | 500pSec Maximum, 200pSec Typical  |
| Start Up Time                   | 50mSec Maximum  |
| Storage Temperature Range       | -55°C to +125°C   |

## ENVIRONMENTAL & MECHANICAL SPECIFICATIONS

|                              |   |
|------------------------------|---|
| ESD Susceptibility           | MIL-STD-883, Method 3015, Class 2, HBM 2000V              |
| Flammability                 | UL94-V0   |
| Mechanical Shock             | MIL-STD-883, Method 2002, Condition G, 30,000G            |
| Moisture Resistance          | MIL-STD-883, Method 1004                                  |
| Moisture Sensitivity Level   | J-STD-020, MSL 1  |
| Resistance to Soldering Heat | MIL-STD-202, Method 210, Condition K                      |
| Resistance to Solvents       | MIL-STD-202, Method 215                                   |
| Solderability                | MIL-STD-883, Method 2003 (Pads on Bottom of Package Only) |
| Temperature Cycling          | MIL-STD-883, Method 1010, Condition B                     |
| Thermal Shock                | MIL-STD-883, Method 1011, Condition B                     |
| Vibration                    | MIL-STD-883, Method 2007, Condition A, 20G                |

# EMK43G2H-2.048M TR

## MECHANICAL DIMENSIONS (all dimensions in millimeters)

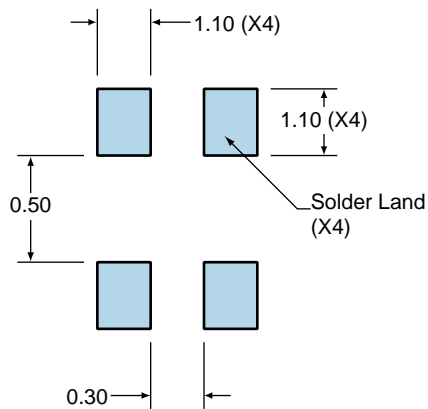


| PIN | CONNECTION     |
|-----|----------------|
| 1   | Tri-State      |
| 2   | Ground         |
| 3   | Output         |
| 4   | Supply Voltage |

| LINE | MARKING   |
|------|---|
| 1    | XXXX<br>XXXX=Ecliptek<br>Manufacturing Lot Code |

## Suggested Solder Pad Layout

All Dimensions in Millimeters



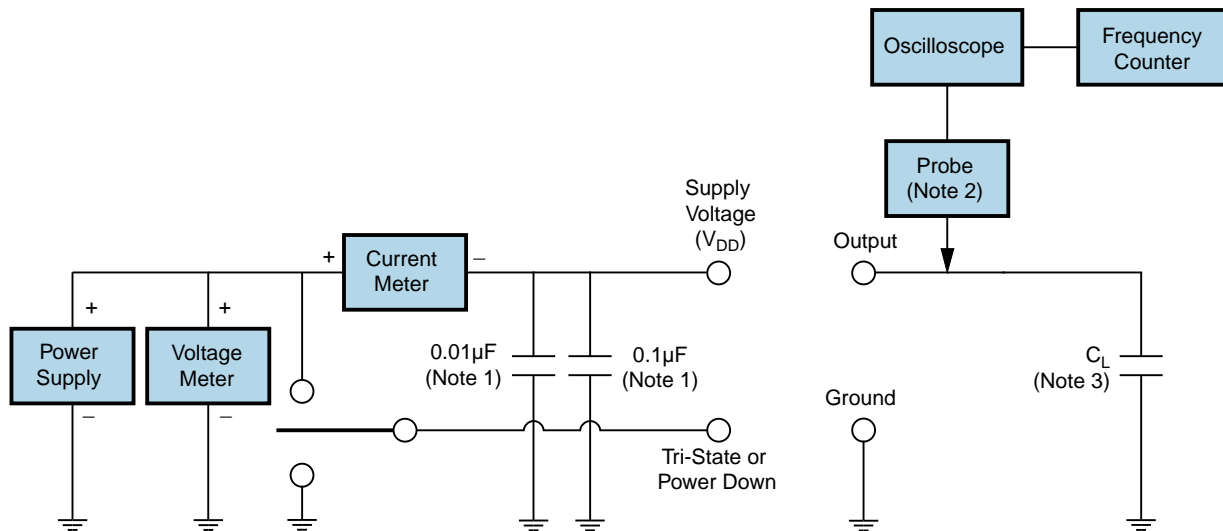
All Tolerances are ±0.1

# EMK43G2H-2.048M TR

## OUTPUT WAVEFORM & TIMING DIAGRAM



## Test Circuit for CMOS Output



Note 1: An external 0.1µF low frequency tantalum bypass capacitor in parallel with a 0.01µF high frequency ceramic bypass capacitor close to the package ground and  $V_{DD}$  pin is required.

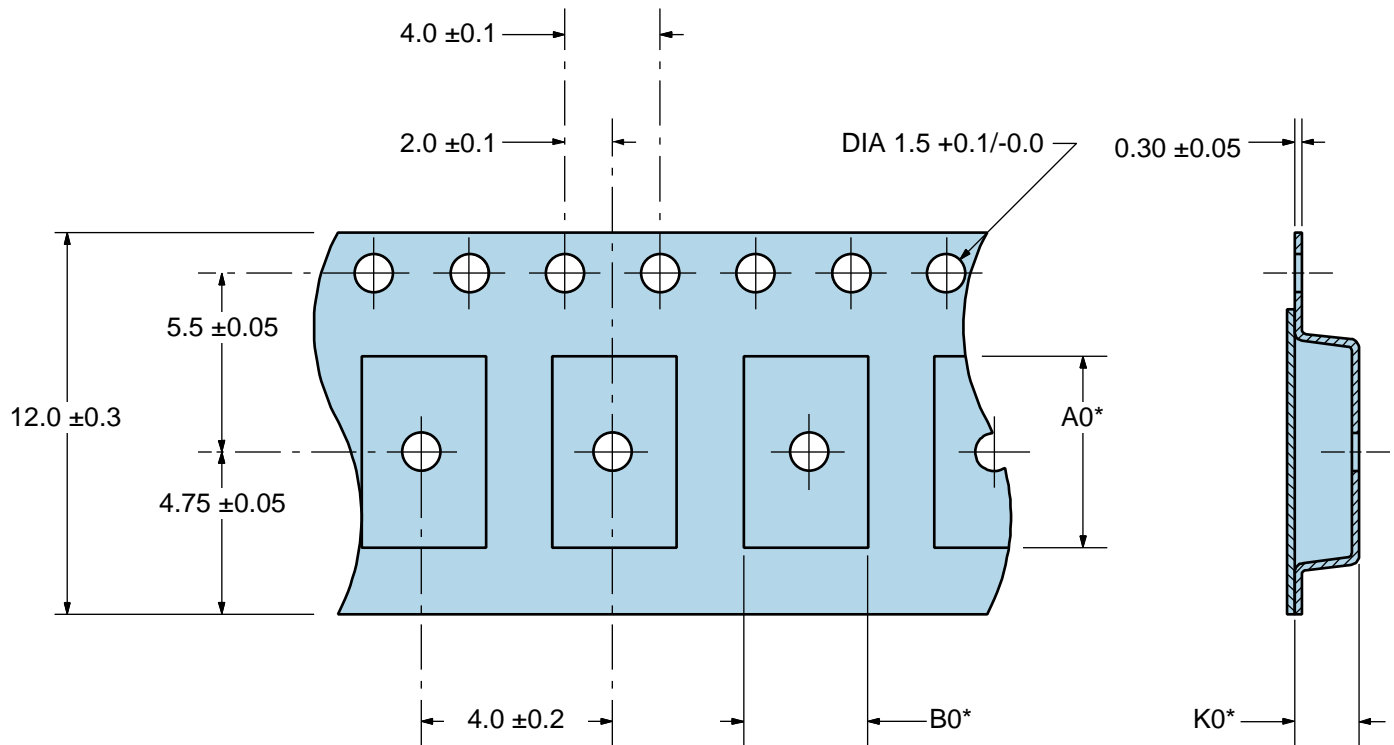
Note 2: A low capacitance (<12pF), 10X attenuation factor, high impedance (>10Mohms), and high bandwidth (>300MHz) passive probe is recommended.

Note 3: Capacitance value  $C_L$  includes sum of all probe and fixture capacitance.

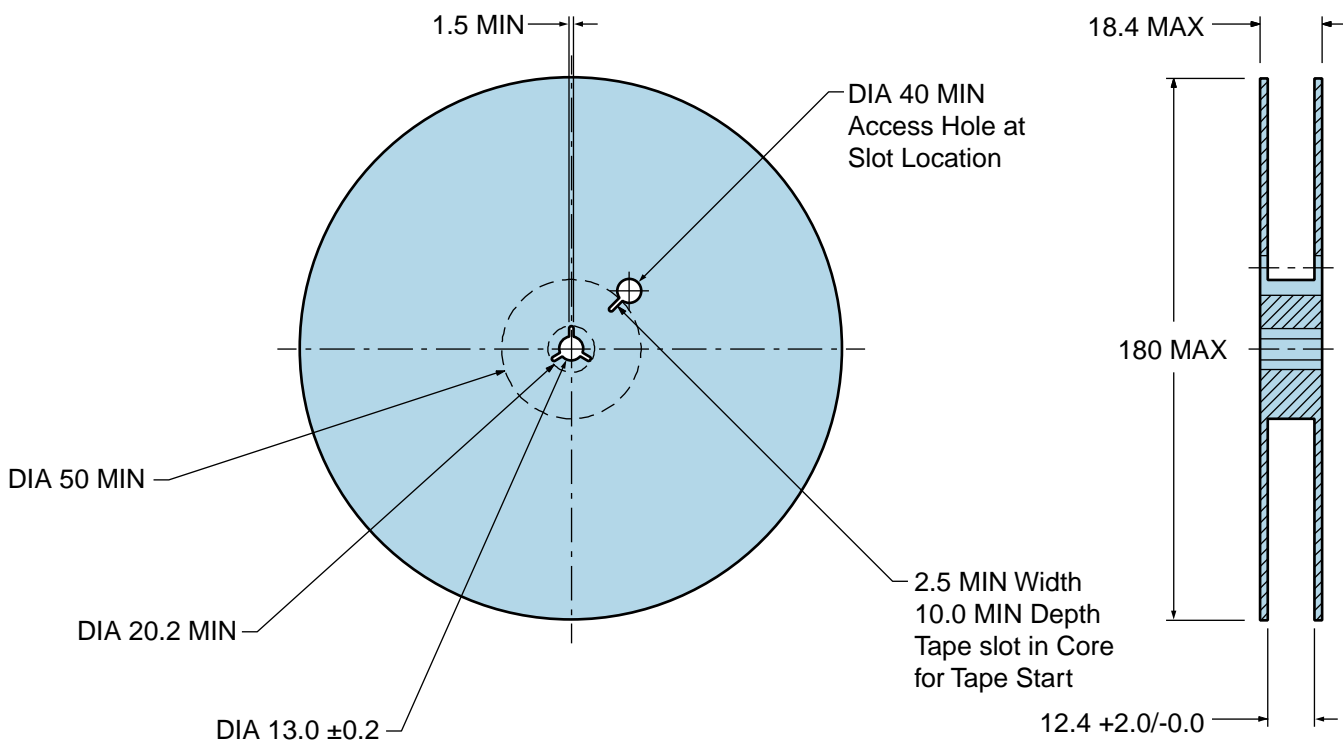
# EMK43G2H-2.048M TR

## Tape & Reel Dimensions

Quantity Per Reel: 1,000 units



\*Compliant to EIA 481A



## Recommended Solder Reflow Methods



### High Temperature Infrared/Convection

|  |                                      |
|--|--------------------------------------|
| <b><math>T_s</math> MAX to <math>T_L</math> (Ramp-up Rate)</b> | 3°C/second Maximum                   |
| <b>Preheat</b>   |                                      |
| - Temperature Minimum ( $T_s$ MIN)                             | 150°C                                |
| - Temperature Typical ( $T_s$ TYP)                             | 175°C                                |
| - Temperature Maximum ( $T_s$ MAX)                             | 200°C                                |
| - Time ( $t_s$ MIN)  | 60 - 180 Seconds                     |
| <b>Ramp-up Rate (<math>T_L</math> to <math>T_p</math>)</b>     | 3°C/second Maximum                   |
| <b>Time Maintained Above:</b>                                  |                                      |
| - Temperature ( $T_L$ )  | 217°C                                |
| - Time ( $t_L$ )   | 60 - 150 Seconds                     |
| <b>Peak Temperature (<math>T_p</math>)</b>                     | 260°C Maximum for 10 Seconds Maximum |
| <b>Target Peak Temperature (<math>T_p</math> Target)</b>       | 250°C +0/-5°C                        |
| <b>Time within 5°C of actual peak (<math>t_p</math>)</b>       | 20 - 40 seconds                      |
| <b>Ramp-down Rate</b>  | 6°C/second Maximum                   |
| <b>Time 25°C to Peak Temperature (t)</b>                       | 8 minutes Maximum                    |
| <b>Moisture Sensitivity Level</b>                              | Level 1                              |

## Recommended Solder Reflow Methods



### Low Temperature Infrared/Convection 240°C

|  |  |
|--|--|
| <b>T<sub>s</sub> MAX to T<sub>L</sub> (Ramp-up Rate)</b> | 5°C/second Maximum                                     |
| <b>Preheat</b>   |  |
| - Temperature Minimum (T <sub>s</sub> MIN)               | N/A  |
| - Temperature Typical (T <sub>s</sub> TYP)               | 150°C  |
| - Temperature Maximum (T <sub>s</sub> MAX)               | N/A  |
| - Time (t <sub>s</sub> MIN)                              | 60 - 120 Seconds                                       |
| <b>Ramp-up Rate (T<sub>L</sub> to T<sub>P</sub>)</b>     | 5°C/second Maximum                                     |
| <b>Time Maintained Above:</b>                            |  |
| - Temperature (T <sub>L</sub> )                          | 150°C  |
| - Time (t <sub>L</sub> )                                 | 200 Seconds Maximum                                    |
| <b>Peak Temperature (T<sub>P</sub>)</b>                  | 240°C Maximum  |
| <b>Target Peak Temperature (T<sub>P</sub> Target)</b>    | 240°C Maximum 1 Time / 230°C Maximum 2 Times           |
| <b>Time within 5°C of actual peak (t<sub>p</sub>)</b>    | 10 seconds Maximum 2 Times / 80 seconds Maximum 1 Time |
| <b>Ramp-down Rate</b>                                    | 5°C/second Maximum                                     |
| <b>Time 25°C to Peak Temperature (t)</b>                 | N/A  |
| <b>Moisture Sensitivity Level</b>                        | Level 1  |

### Low Temperature Manual Soldering

185°C Maximum for 10 seconds Maximum, 2 times Maximum.

### High Temperature Manual Soldering

260°C Maximum for 5 seconds Maximum, 2 times Maximum.