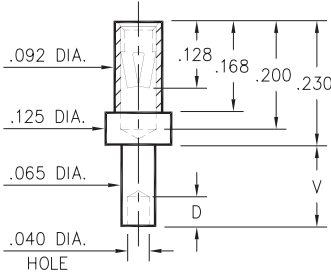


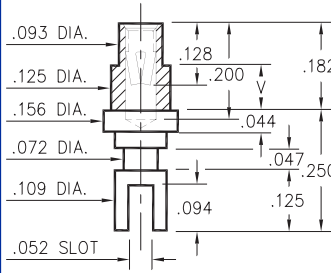
0344



| Basic Part Number | Board Thickness | Length V | Depth D |
|-------------------|-----------------|----------|---------|
| 0344-1 | .031 | .062 | .040 |
| 0344-2 | .062 | .094 | .062 |
| 0344-3 | .094 | .125 | .062 |
| 0344-4 | .125 | .156 | .062 |

0344-X-19-XX-34-XX-10-0
Swage mount in .067 hole

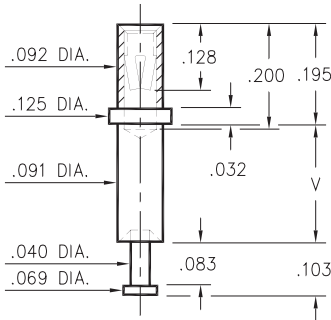
0349



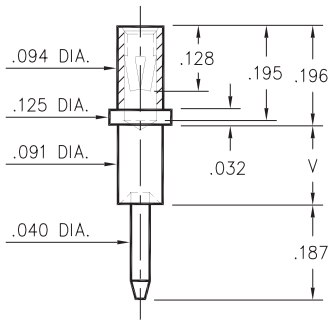
| Basic Part Number | Board Thickness | Length V |
|-------------------|-----------------|----------|
| 0349-2 | .062 | .094 |
| 0349-3 | .094 | .125 |
| 0349-4 | .125 | .156 |

0349-X-31-XX-34-XX-10-0
Swage mount in .129 hole

0323/0324



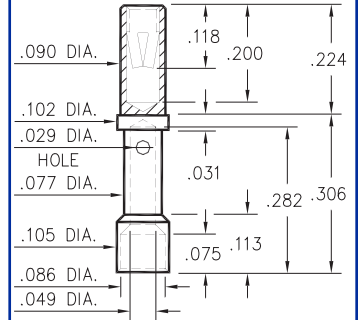
0323-X-15-XX-34-XX-10-0
Swage mount in .094 hole



0324-X-15-XX-34-XX-10-0
Swage mount in .094 hole

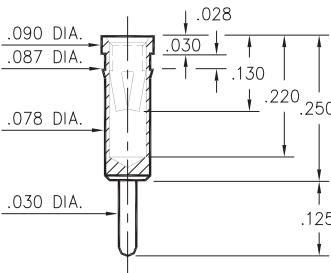
| Basic Part Number | Board Thickness | Length V |
|-------------------|-----------------|----------|
| 032X-1 | .031 | .062 |
| 032X-2 | .062 | .094 |
| 032X-3 | .094 | .125 |
| 032X-4 | .125 | .156 |
| 032X-5 | .188 | .219 |

0348



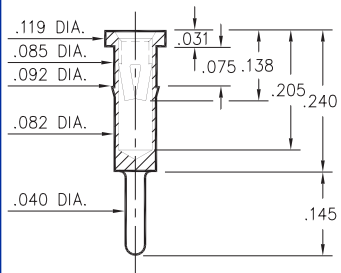
0348-0-33-XX-34-XX-10-0
#20A Crimp Barrel

0405



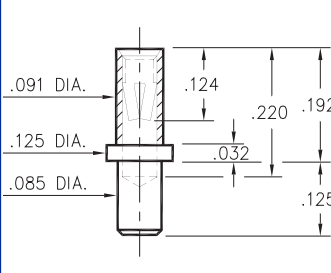
0405-0-15-XX-34-XX-04-0
Press-fit in .084 mounting hole

0336



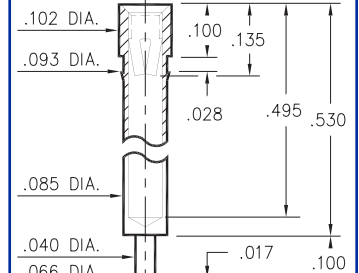
0336-0-15-XX-34-XX-04-0
Press-fit in .089 mounting hole

0322



0322-0-15-XX-34-XX-10-0
Solder mount in .089 min. mounting hole

0325



0325-0-15-XX-34-XX-10-0
Press-fit in .090 mounting hole

SPECIFICATIONS

SHELL MATERIAL:
Brass Alloy 360, 1/2 Hard

CONTACT MATERIAL:
Beryllium Copper Alloy 172, HT

DIMENSION IN INCHES
TOLERANCES ON:
LENGTHS: ±.005
DIAMETERS: ±.002
ANGLES: ± 2°

ORDER CODE: XXXX - X - XX - XX - 34 - XX - XX - 0

BASIC PART # →

SPECIFY SHELL FINISH:

- 01 200μ" TIN/LEAD OVER NICKEL
- 80 200μ" TIN OVER NICKEL ◊
- 15 10μ" GOLD OVER NICKEL ◊

SPECIFY CONTACT FINISH:

- 01 200μ" TIN/LEAD OVER NICKEL
- 80 200μ" TIN OVER NICKEL ◊
- 27 30μ" GOLD OVER NICKEL ◊



CONTACT

#34 CONTACT (DATA ON PAGE 222)