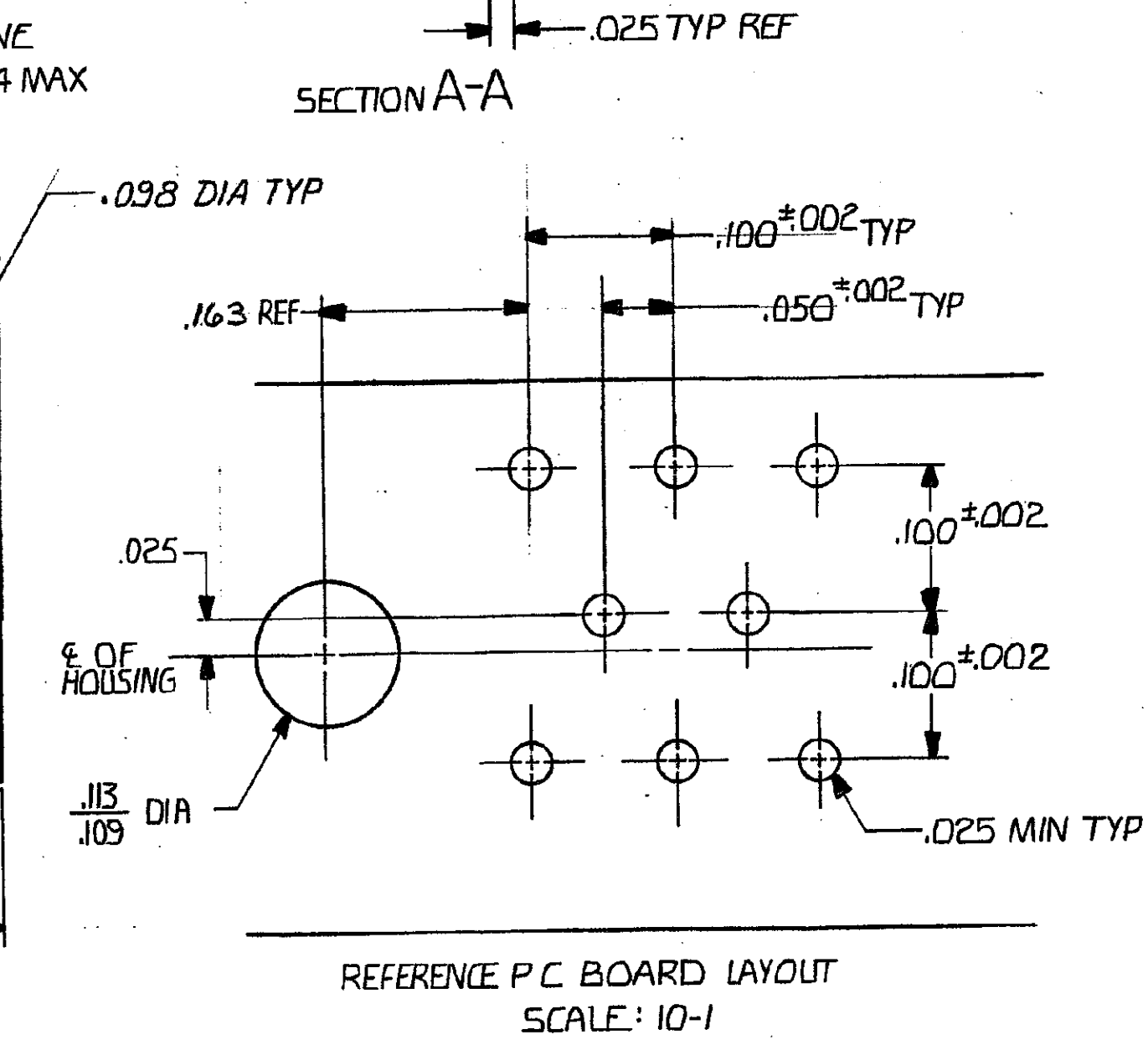
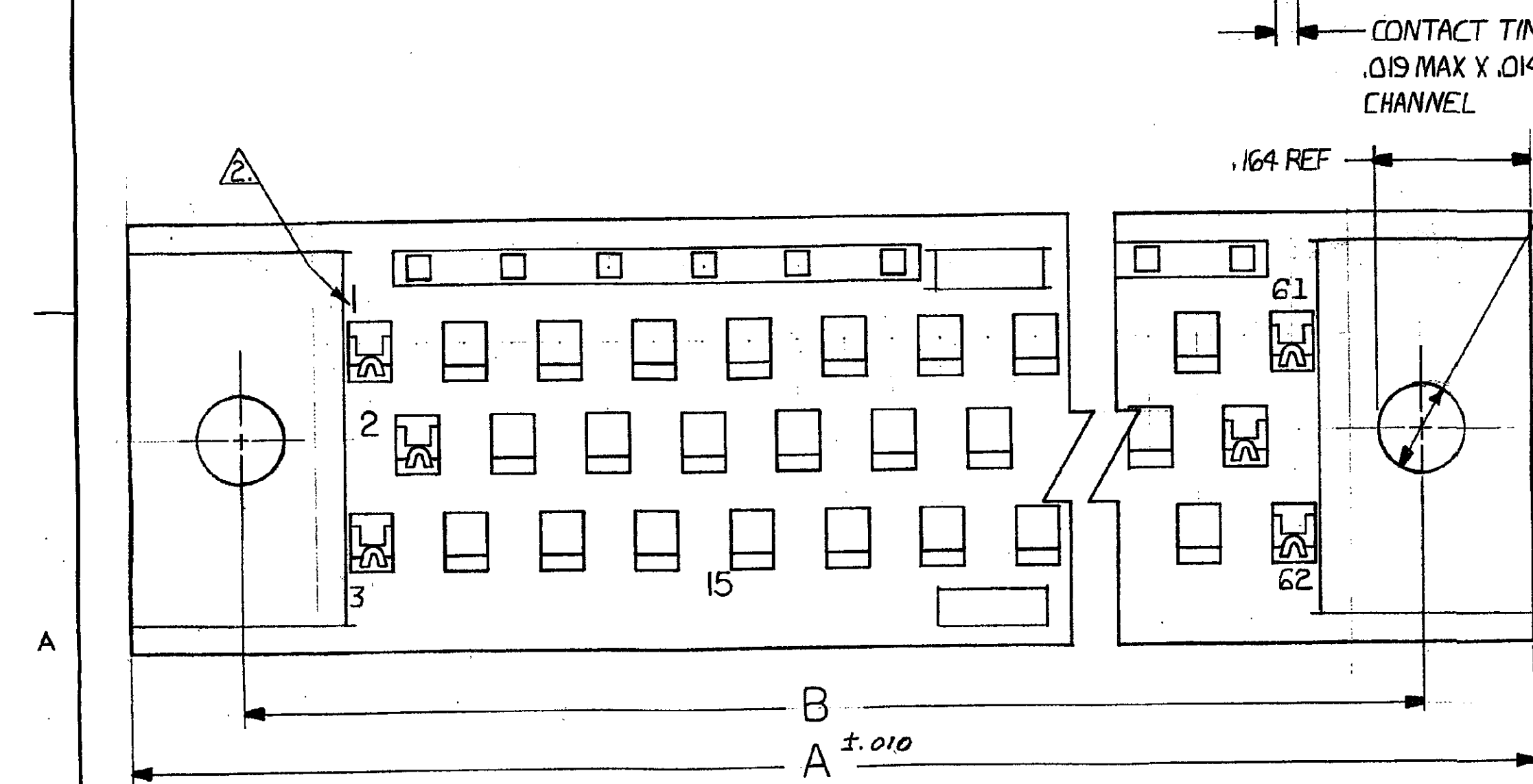
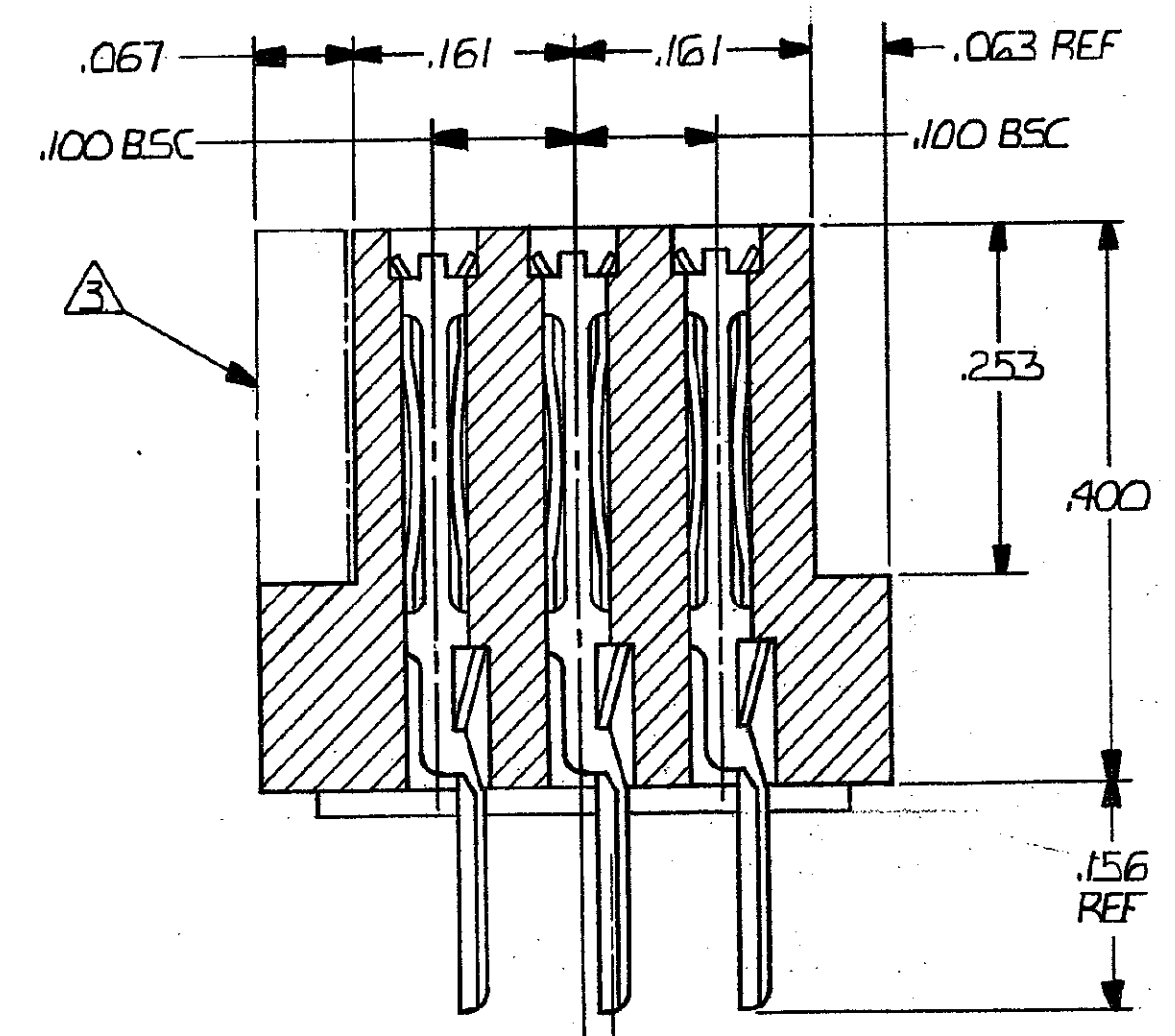
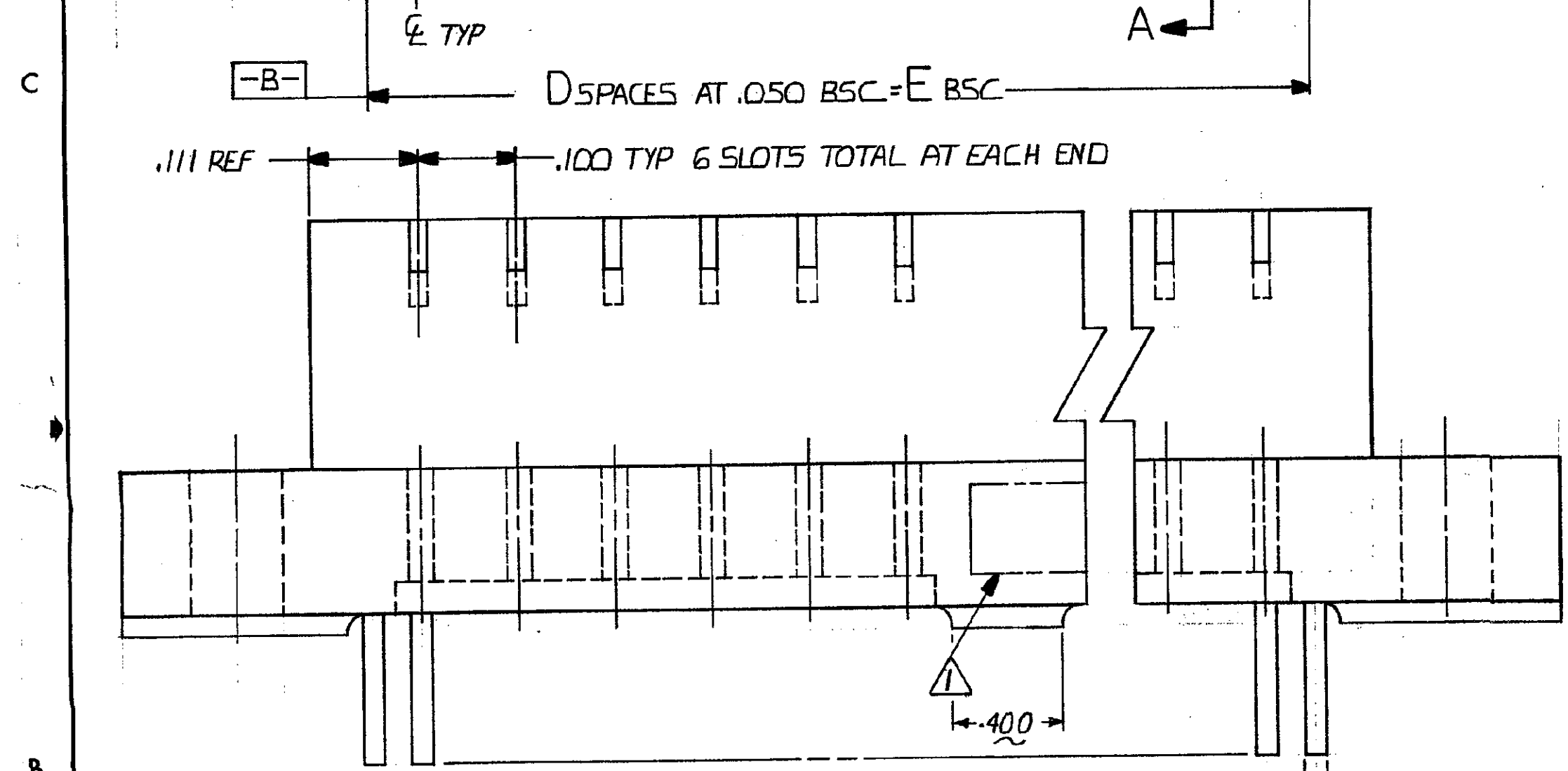
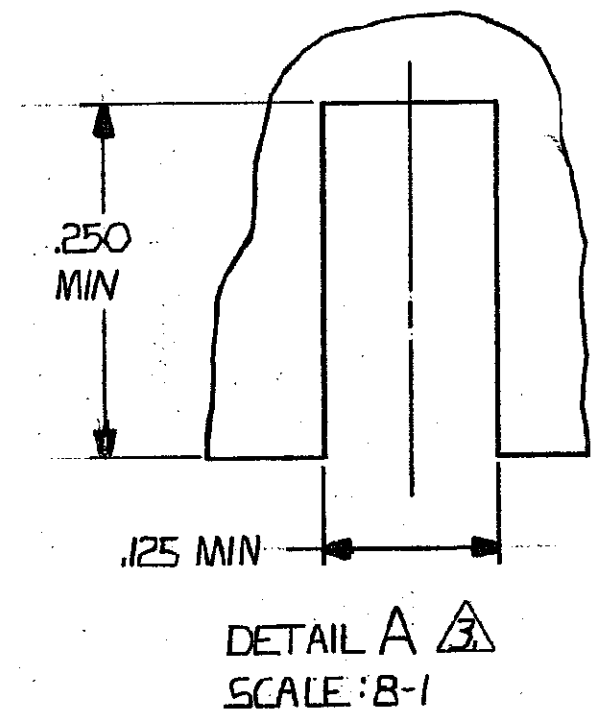
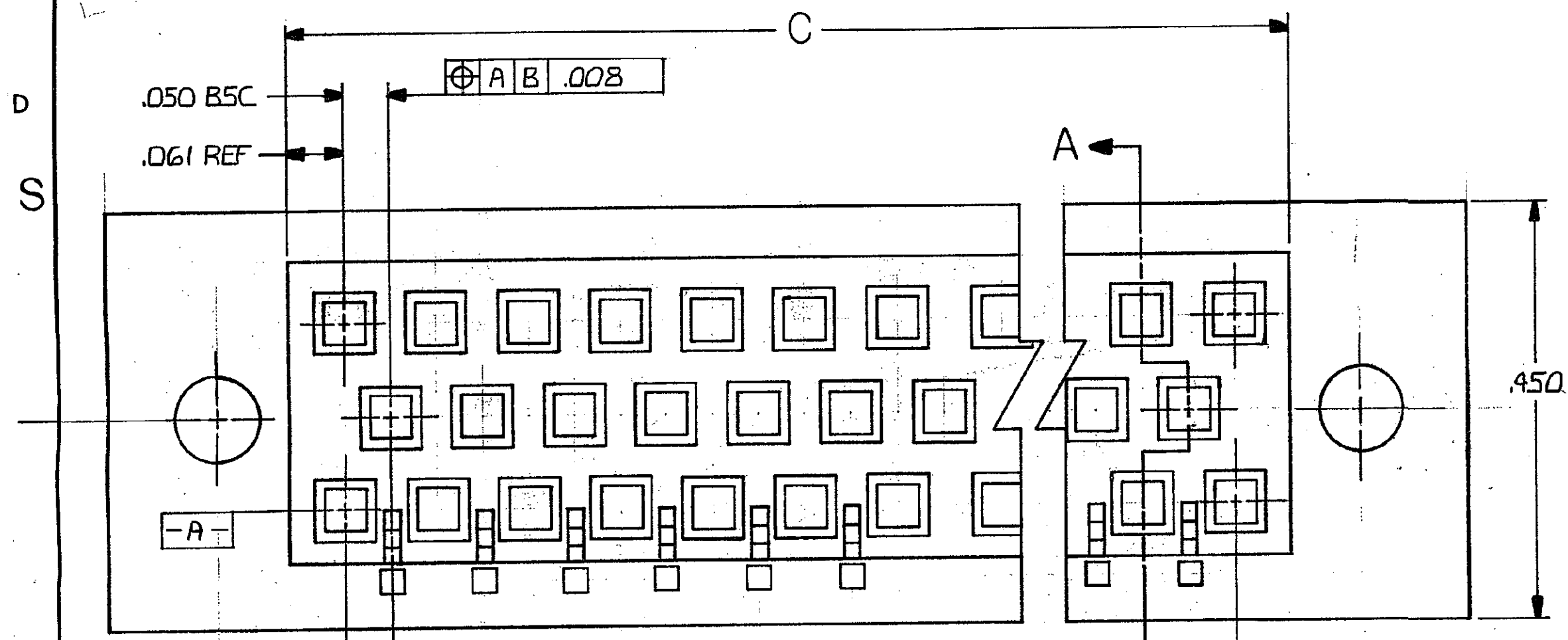


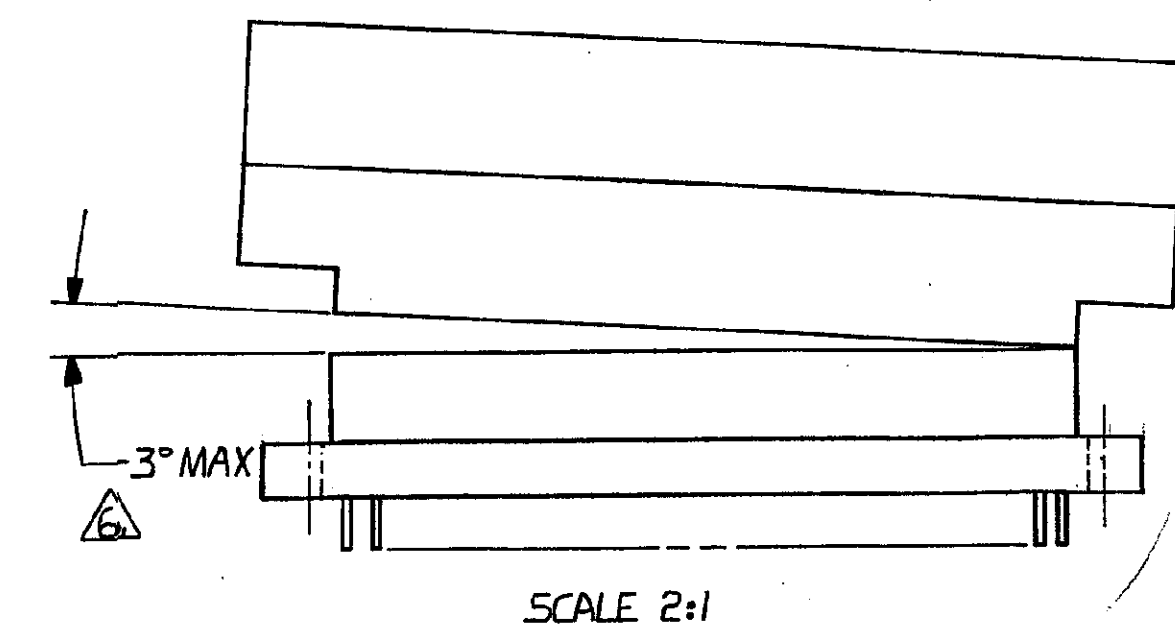
DRAWING MADE IN THIRD ANGLE PROJECTION

© COPYRIGHT 1977 BY AMP INCORPORATED, HARRISBURG, PA. ALL INTERNATIONAL RIGHTS RESERVED. AMP INCORPORATED PRODUCTS COVERED BY U. S. AND FOREIGN PATENTS AND/OR PATENTS PENDING.
UNPUBLISHED COPY NOT TO BE REPRODUCED OR TRANSMITTED IN ANY FORM OR BY ANY MEANS WITHOUT WRITTEN PERMISSION OF AMP INCORPORATED.

REVISIONS						
P	F	ZONE	LTR	DESCRIPTION	DATE	APPROVED
			A	REVISED 5330 m.s.	11-14-77	
			A1	REVISED 6924 m.s.	10-80	LD
			A2	REV. PER ECN AB-0438	ab 8-84	EAM
			A3	REVISED VIEWS AB-1522	ab 4-86	EAM
			B	ECN AB-2043	WAF 12-86	EAM
			C	REV PER ECN DF-1361	TW 2-17-89	EAM
			D	REV 0600-5641-96	TT 9-97	EAM



- △ AMP PART NUMBER AND DATE CODE INK STAMPED WHITE THIS AREA ON OPPOSITE SIDE.
- △ CONTACT NUMBERS MOLDED ON THIS SURFACE AS SHOWN AT POSITIONS 1,2,3,15, 25, 27,31,42,57,61, AND 62 ONLY.
- △ KEYING INSERT PART NUMBER 202934-1 SHOWN IN PLACE. PURCHASED SEPARATELY AND INSTALLED BY CUSTOMER AS REQUIRED. FOR KEYING SLOT DIMENSION, (DAUGHTER CARD) SEE DETAIL A.
- △ HOUSING MATERIAL: GLASS FILLED POLYESTER, COLOR: BLACK.
- △ CONTACT MATERIAL: BERYLLIUM COPPER.
- △ THESE CONNECTORS TO BE USED WITH CARD GUIDES ONLY, CONNECTOR ENTRY ANGLE PERMISSIBLE TO 3° MAXIMUM.
- △ A MINIMUM OF ONE KEY MUST BE USED WITH THIS ASSEMBLY TO PROVIDE POLARIZATION FEATURE.
- △ FINISH: .000030 GOLD IN CONTACT AREA, .000100 TIN-LEAD ON TAILS OVER .000030 NICKEL ENTIRE CONTACT.



SIZE	CODE	IDENT	NO	DRAWING NO
2.500	50	2.622	2.825	3.010
2.000	40	2.122	2.325	2.510
E D C B A				
NO OF POSITIONS				
PART NO				

UNLESS OTHERWISE SPECIFIED DIMENSIONS ARE IN INCHES. TOLERANCES ON: DECIMALS ±.005 ANGLES ±	CONTRACT NO	AMP INCORPORATED Harrisburg, Pa.
	DR Robert Zoller 9-14-77	
MATERIAL	APPD R. Williams 9-15-77	NAME RECEPTACLE ASSY, 1001 SERIES, BOX CONN., 62 & 77 POS, STAGGERED
FINISH	DSGN APPD	SIZE CODE IDENT NO DRAWING NO D 00779 530934
	OTHER APPD	SCALE 8:1 SHEET 1 of 1

CUSTOMER DRAWING