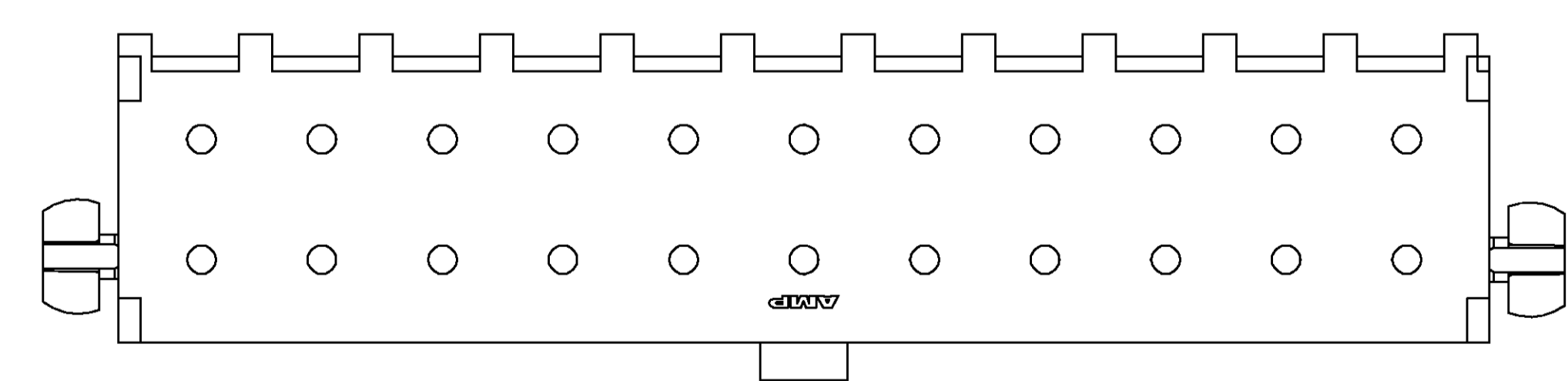
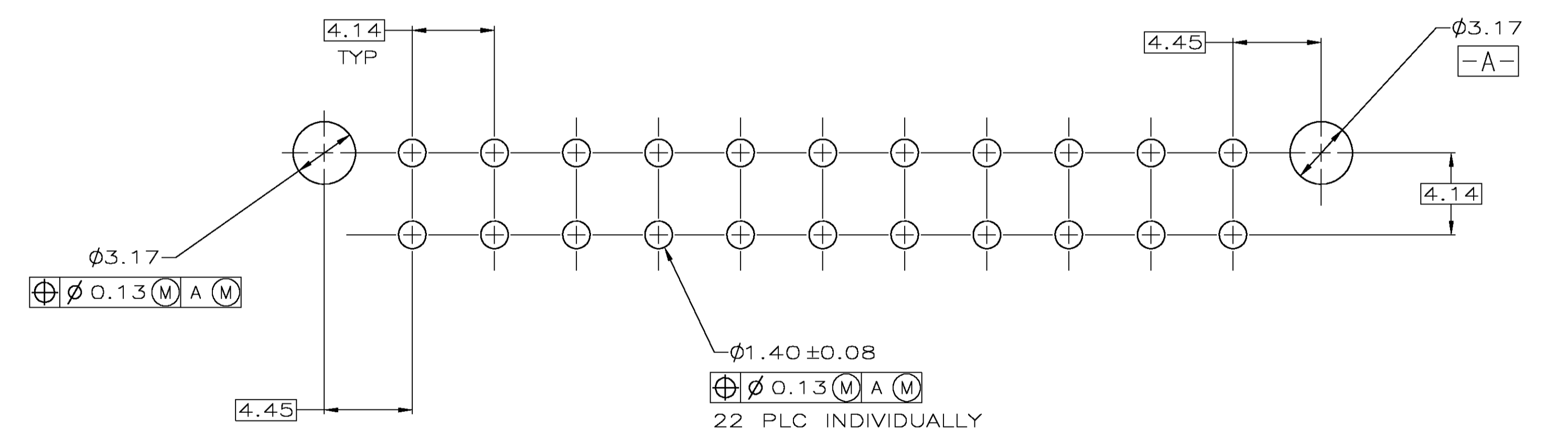
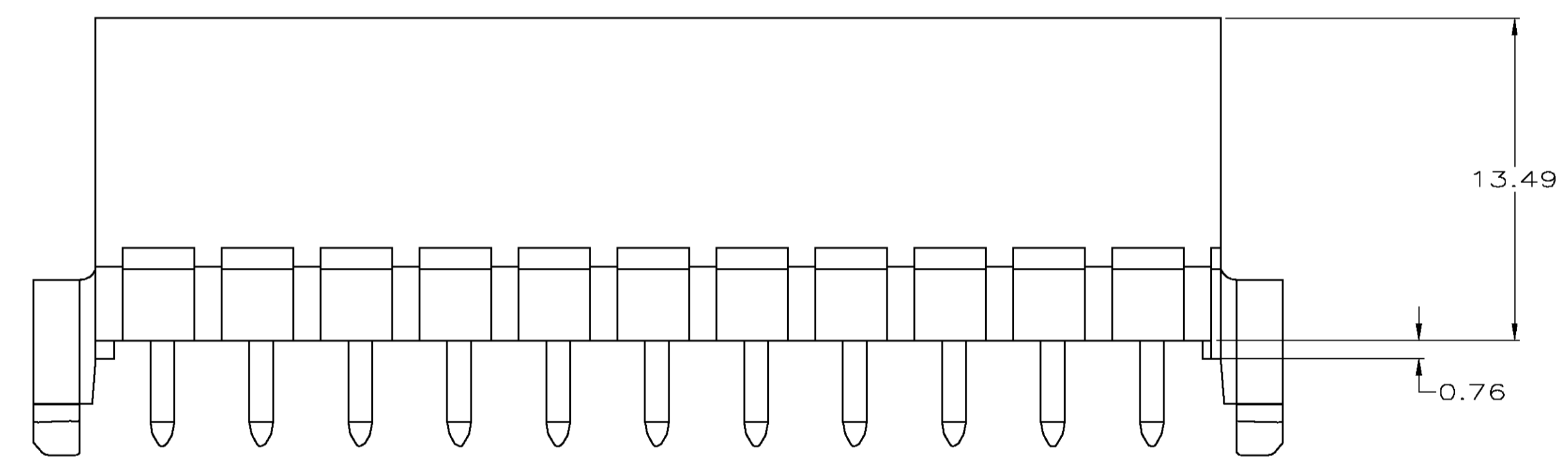
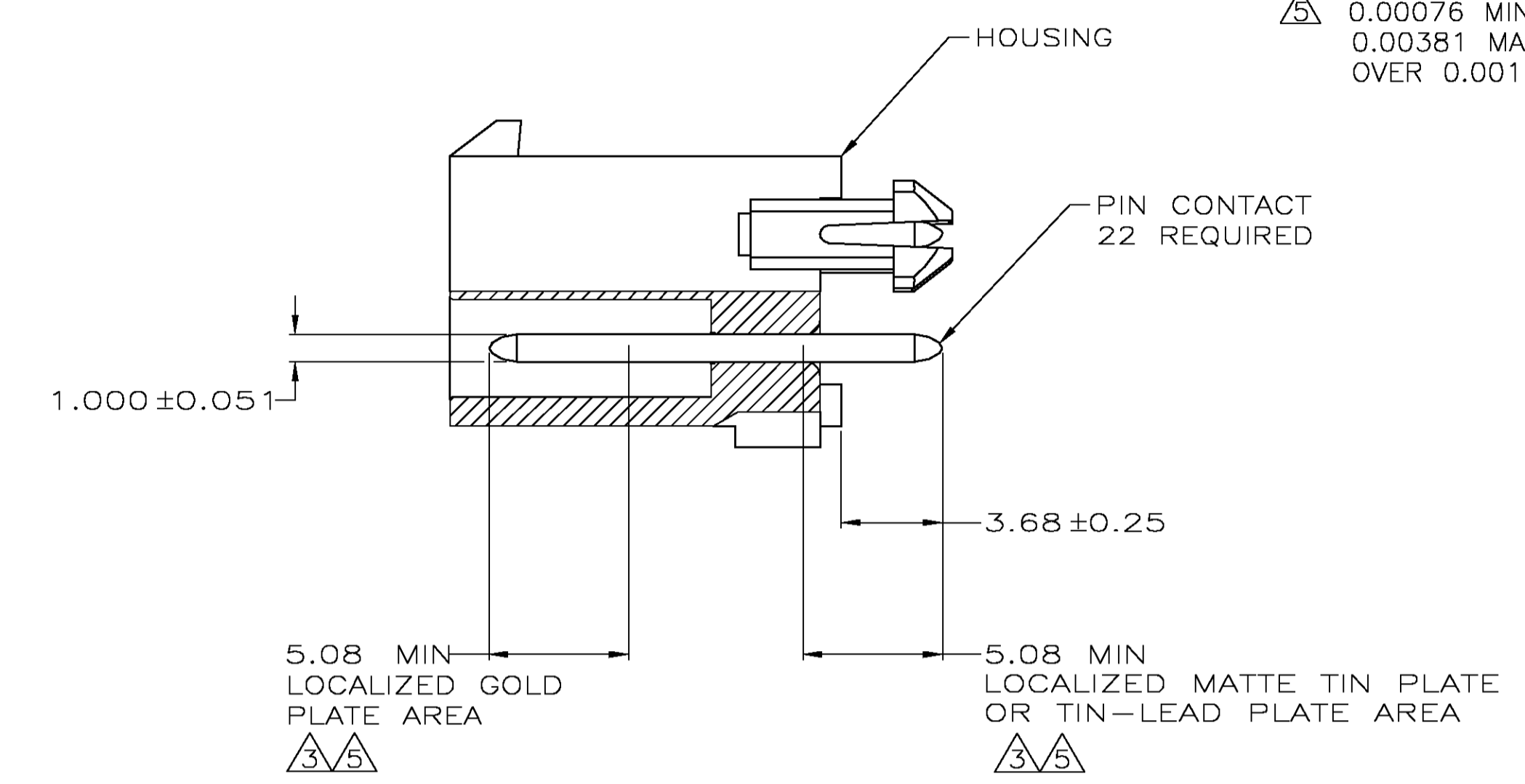
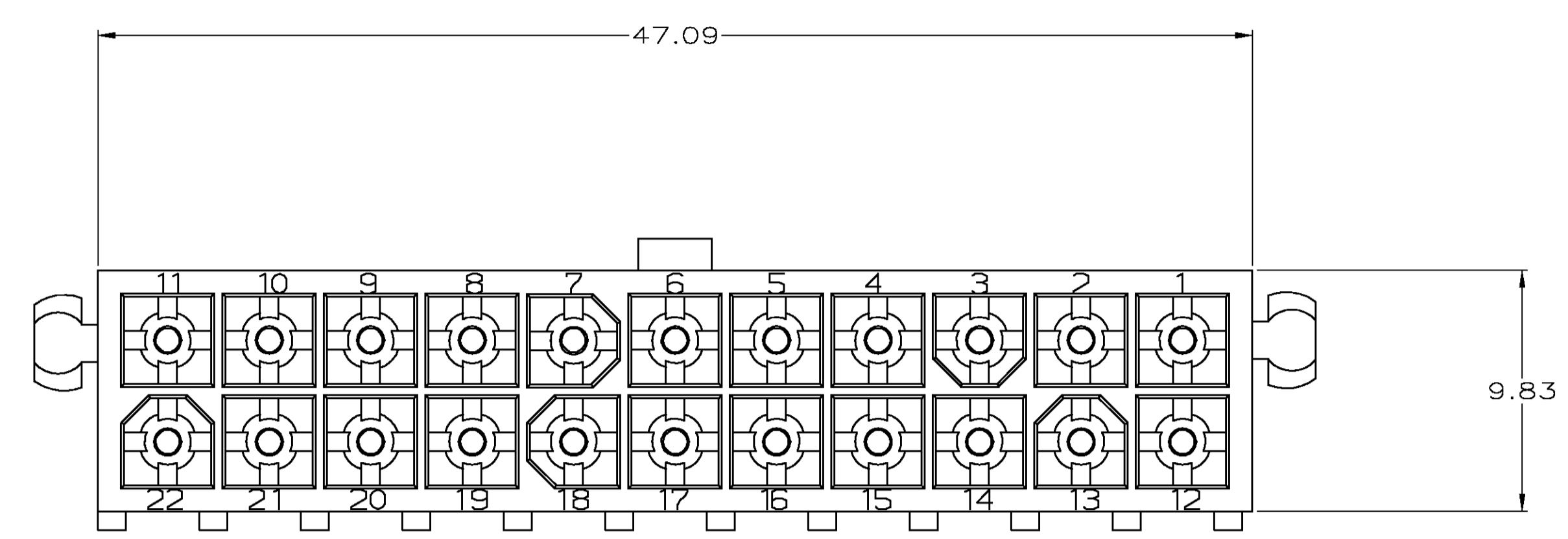


- PINS TO COMPLY WITH AMP SOLDERABILITY SPEC. 108-11-3.
- 0.00381 MIN MATTE TIN LEAD OVER 0.00127 MIN NICKEL.
- 0.00076 MIN GOLD PLATE IN THE LOCALIZED PLATE AREA, 0.00381 MATTE TIN LEAD IN THE LOCALIZED PLATE AREA, BOTH OVER 0.00127 MIN NICKEL.
- 0.00381 MIN MATTE TIN OVER 0.00127 MIN NICKEL.
- 0.00076 MIN GOLD PLATE IN THE LOCALIZED PLATE AREA, 0.00381 MATTE TIN IN THE LOCALIZED PLATE AREA, BOTH OVER 0.00127 MIN NICKEL.



RECOMMENDED MOUNTING HOLE PATTERN FOR 1.57 THICK P.C. BOARD

BRASS, GOLD	NYLON, 94V-0, WHITE	1-794078-1
BRASS, TIN	NYLON, 94V-0, WHITE	1-794078-0
BRASS, GOLD	NYLON, 94V-0, WHITE	794078-2
BRASS, TIN LEAD	NYLON, 94V-0, WHITE	794078-1
PIN CONTACT MATERIAL AND FINISH	HOUSING MATERIAL AND COLOR	PART NUMBER

THIS DRAWING IS A CONTROLLED DOCUMENT.

DIMENSIONS: mm	TOLERANCES UNLESS OTHERWISE SPECIFIED:	DWN K. WHITAKER 5-16-95	Tyco Electronics Corporation Harrisburg, Pa 17105-3608
0 PLC ± - 1 PLC ± - 2 PLC ± 0.13 3 PLC ± - 4 PLC ± - ANGLES ± -	FINISH SEE TABLE	CHK R. SWING 5-16-95 APVD R. ORSTAD 6-13-95 PRODUCT SPEC APPLICATION SPEC	
MATERIAL SEE TABLE	WEIGHT -	SIZE A1	NAME HEADER ASSEMBLY, CLOSED BOTTOM, 22 CIRCUIT, DOUBLE ROW VERTICAL, MINI-UNIVERSAL MATE-N-LOK SCALE 5:1 SHEET 1 OF 1 REV D CUSTOMER DRAWING