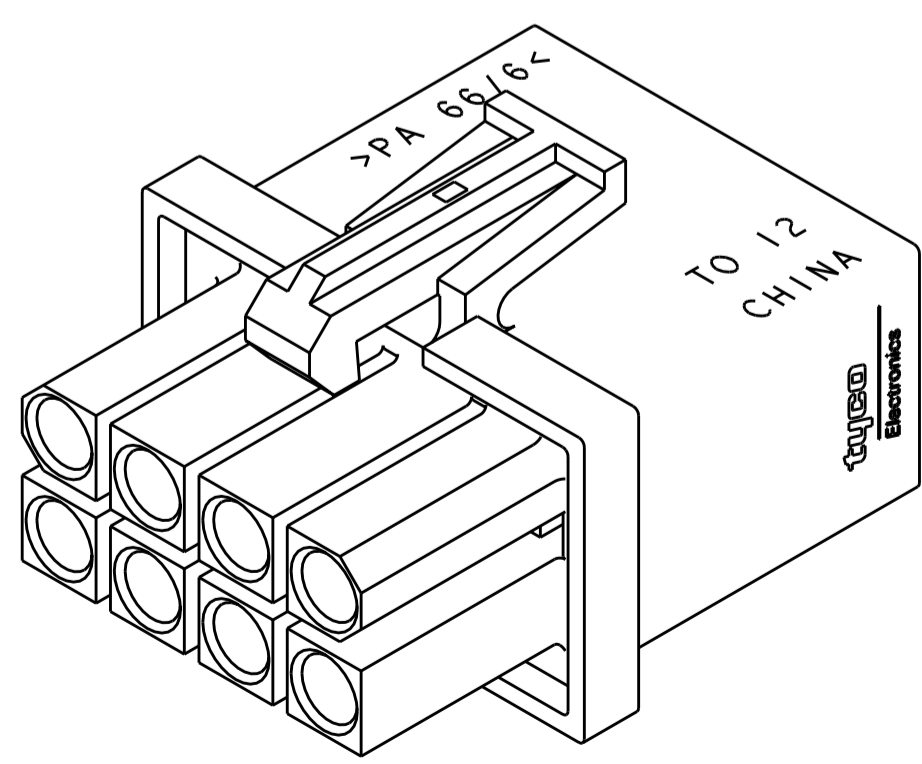
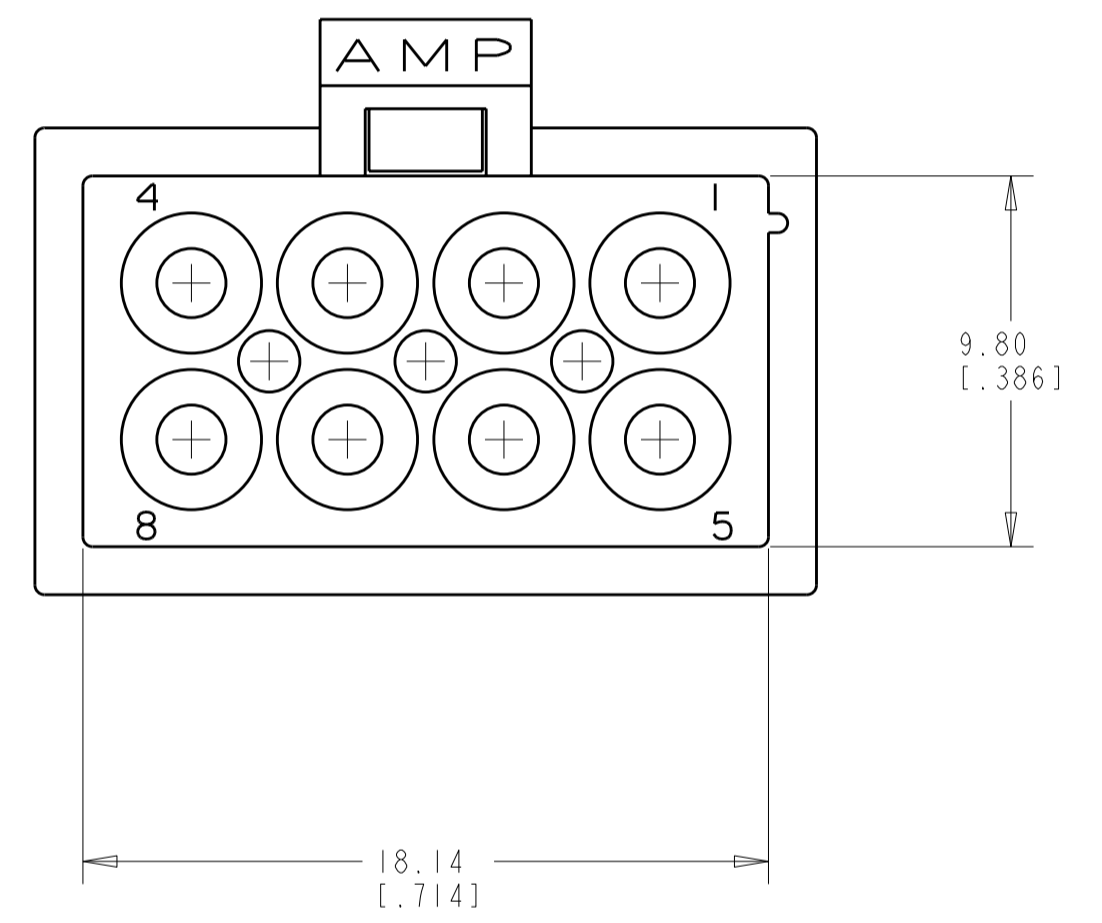
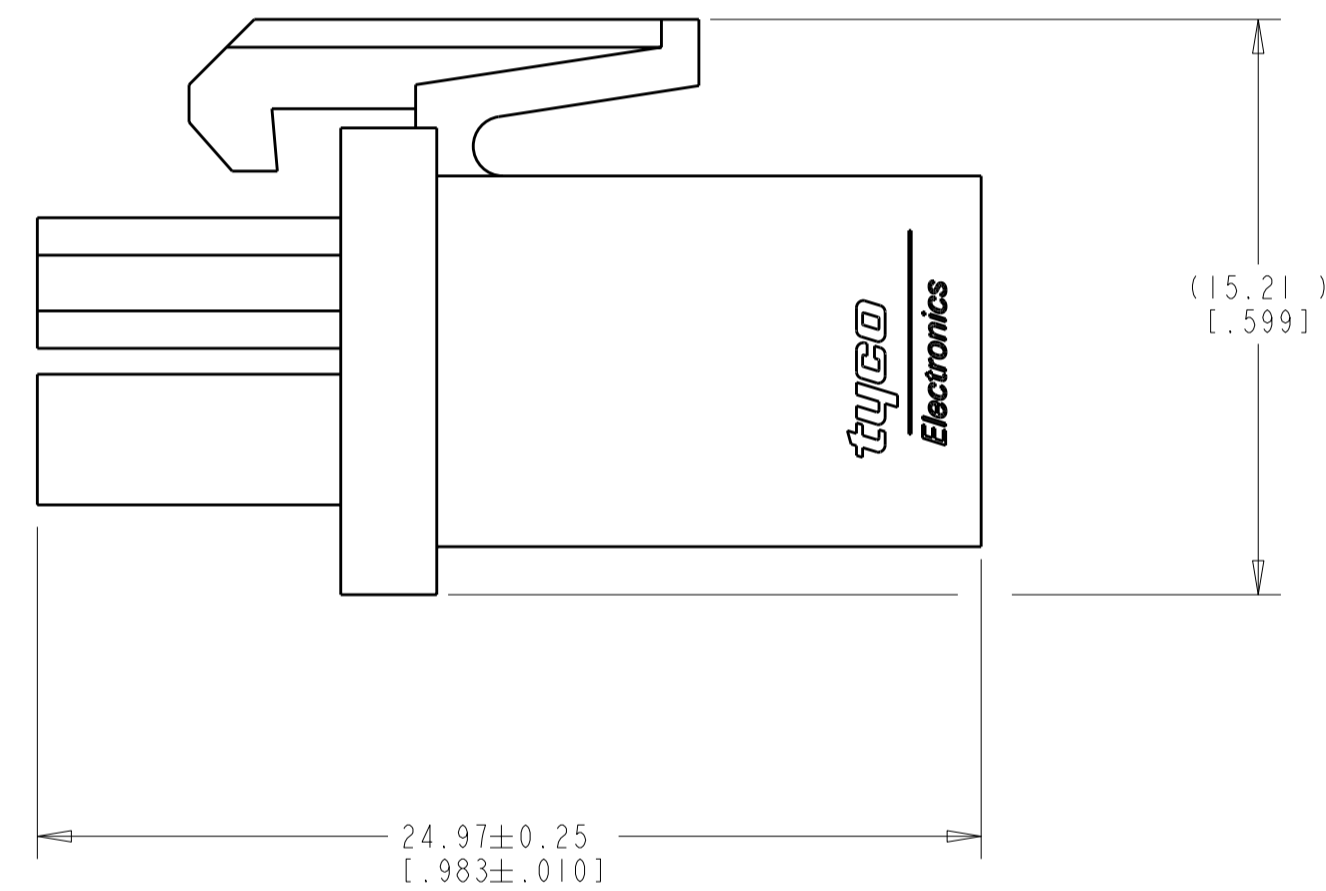
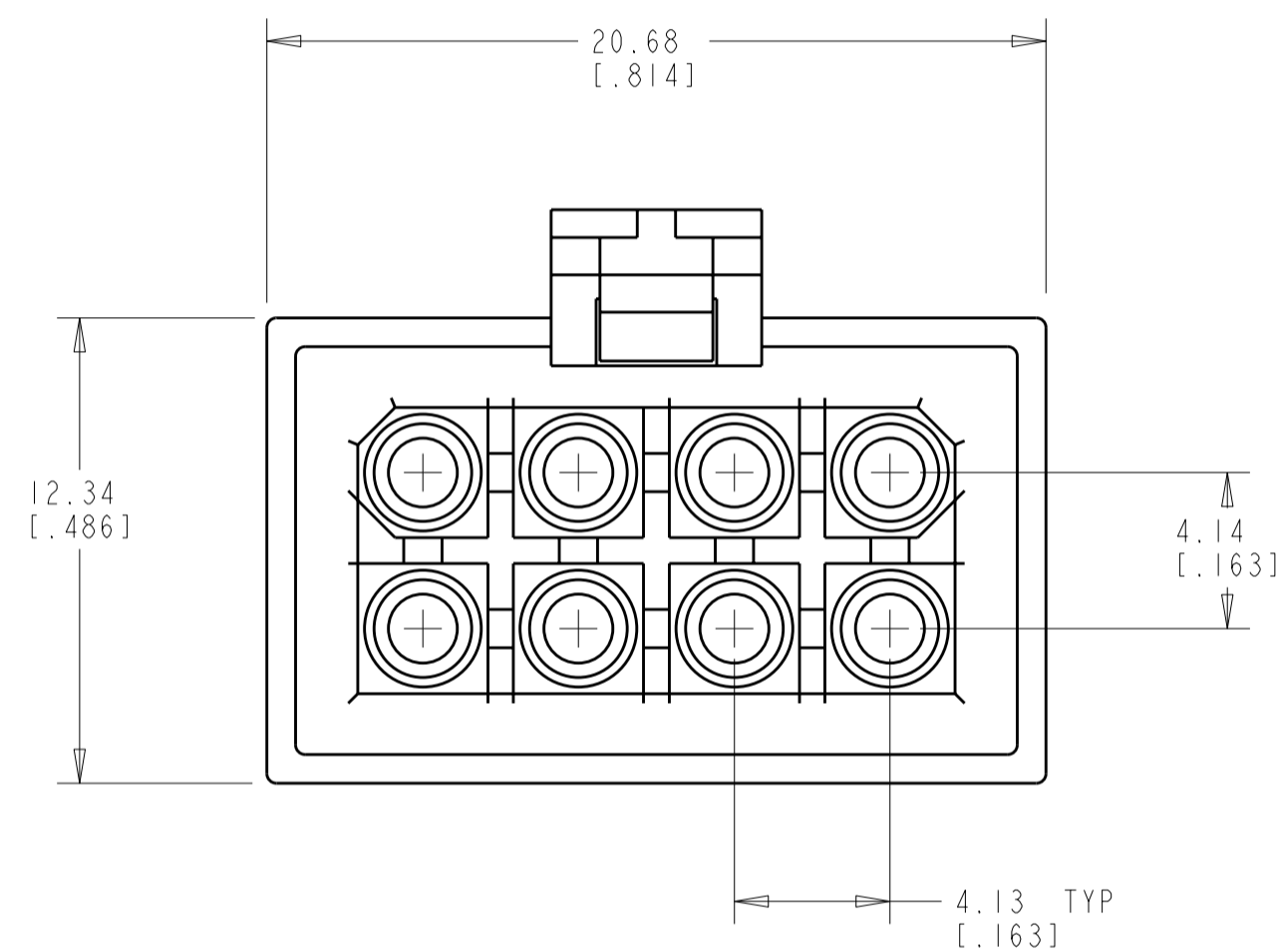


THIS DRAWING IS UNPUBLISHED. RELEASED FOR PUBLICATION 20  
 © COPYRIGHT 20 BY TYCO ELECTRONICS CORPORATION. ALL RIGHTS RESERVED.

| LOC | DIST | REVISIONS |     |                           |          |     |      |
|-----|------|-----------|-----|---------------------------|----------|-----|------|
| CM  | 00   | P         | LTR | DESCRIPTION               | DATE     | DWN | APVD |
|     |      | A         |     | REVISED PER 063B-0251-04  | 22JUNE04 | KW  | DC   |
|     |      | B         |     | REVISED PER ECO-05-014359 | 21APR06  | KW  | CJ   |

1. DIMENSIONS IN BRACKETS ARE IN INCHES.



3 DIMENSIONAL MODEL  
SCALE 4:1

**METRIC**

|  |  |                  |             |           |  |
|--|--|------------------|-------------|-----------|--|
| <small>THIS DRAWING IS A CONTROLLED DOCUMENT FOR TYCO ELECTRONICS CORPORATION. IT IS SUBJECT TO CHANGE AND THE CONTROLLING ENGINEERING ORGANIZATION SHOULD BE CONTACTED FOR THE LATEST REVISION.</small> |  | DWN              | K. WHITAKER | 10MAY2000 | <b>AMP</b> Tyco Electronics<br>Harrisburg, PA 17105-3608       |
| DIMENSIONS:<br>mm [ INCHES ]   |  | CHK              | K. COBLE    | 10MAY2000 |  |
|  |  | APVD             | K. COBLE    | 10MAY2000 |  |
| TOLERANCES UNLESS OTHERWISE SPECIFIED:<br>0 PLC ±-<br>1 PLC ±-<br>2 PLC ±013 [.005]<br>3 PLC ±-<br>4 PLC ±-<br>ANGLES ±0° 30'  |  | PRODUCT SPEC     |             |           |  |
| MATERIAL NYLON, UL94V-0, WHITE   |  | APPLICATION SPEC |             |           | NAME<br>PLUG,<br>8 CIRCUIT,<br>MINI UNIVERSAL MATE-N-LOK (TM)  |
|  |  | WEIGHT           |             |           | SIZE CAGE CODE DRAWING NO RESTRICTED TO<br>A2 00779 C-794821 - |
|  |  | CUSTOMER DRAWING | SCALE 5:1   |           | SHEET OF REV B   |

794821

794821-1  
PART NUMBER