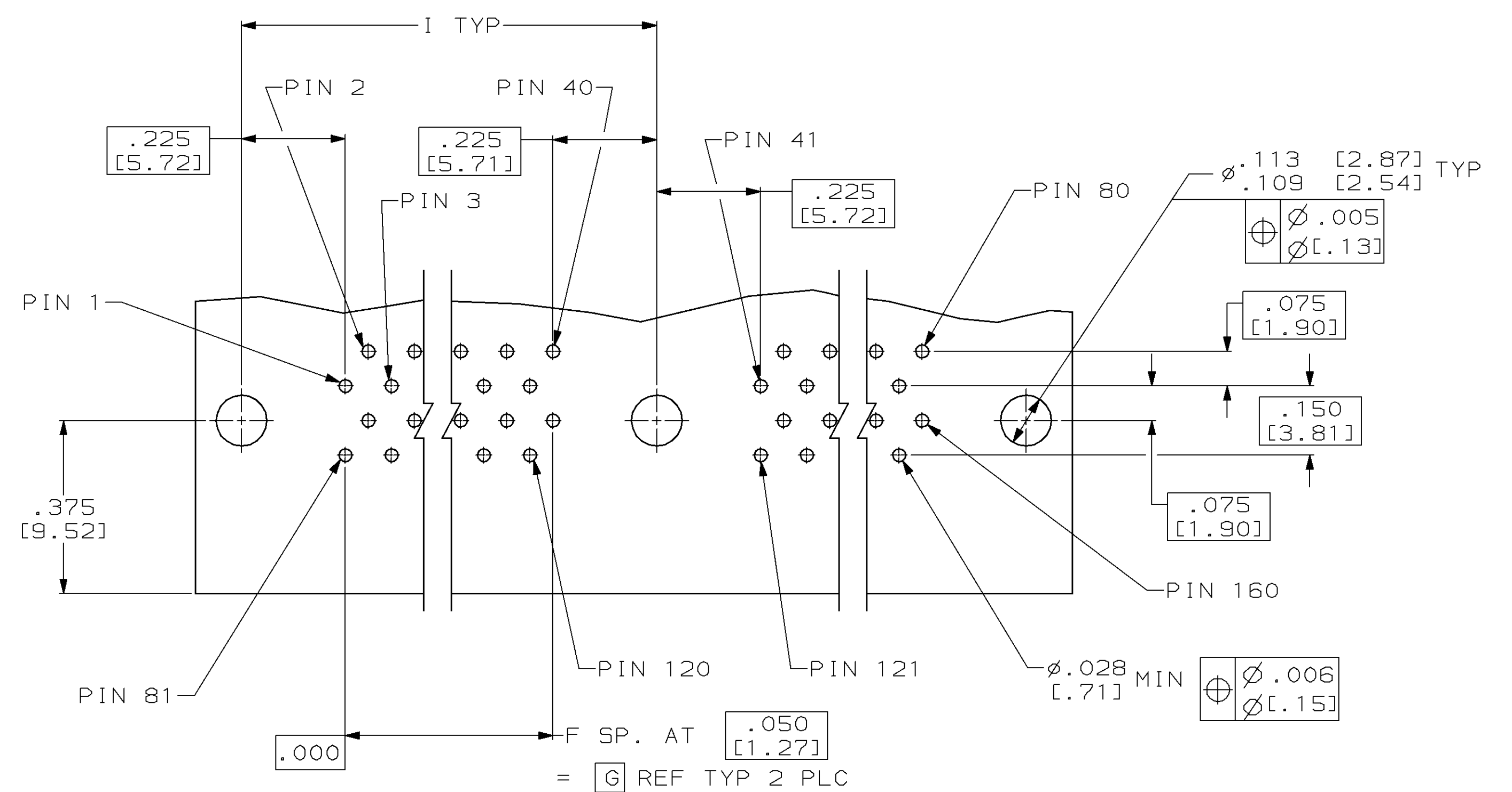
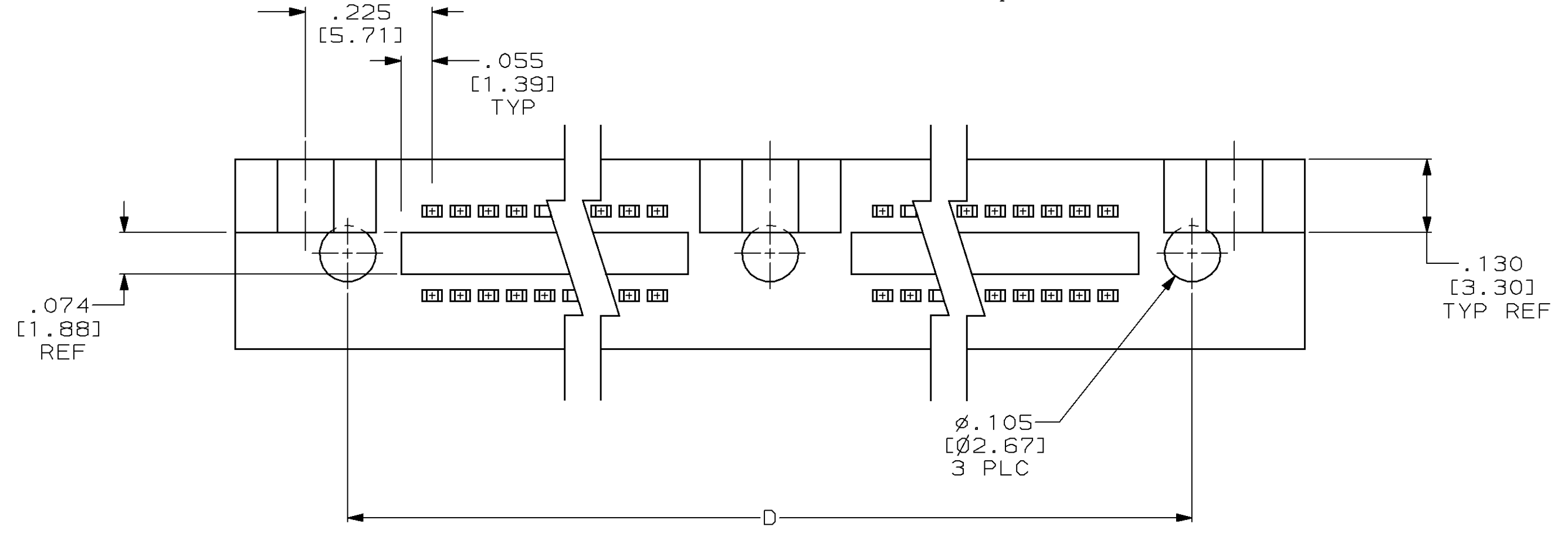
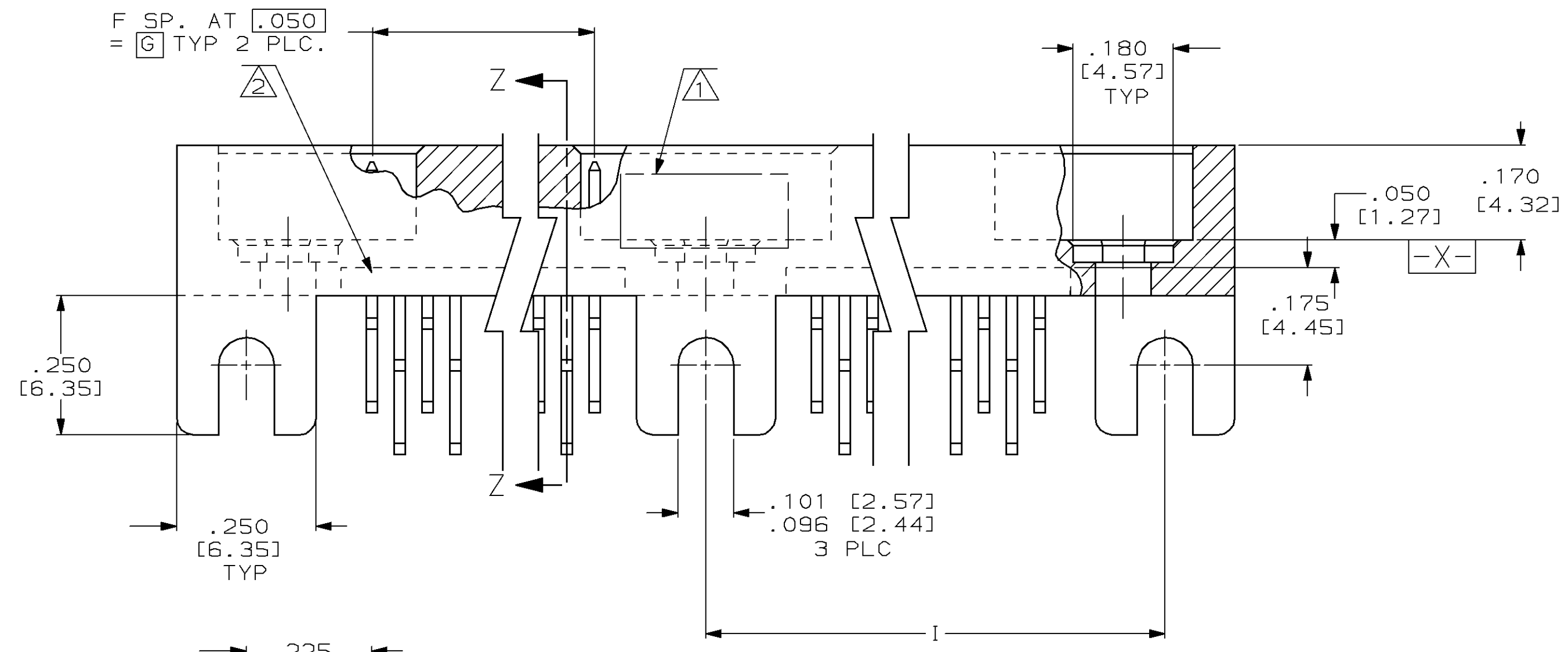
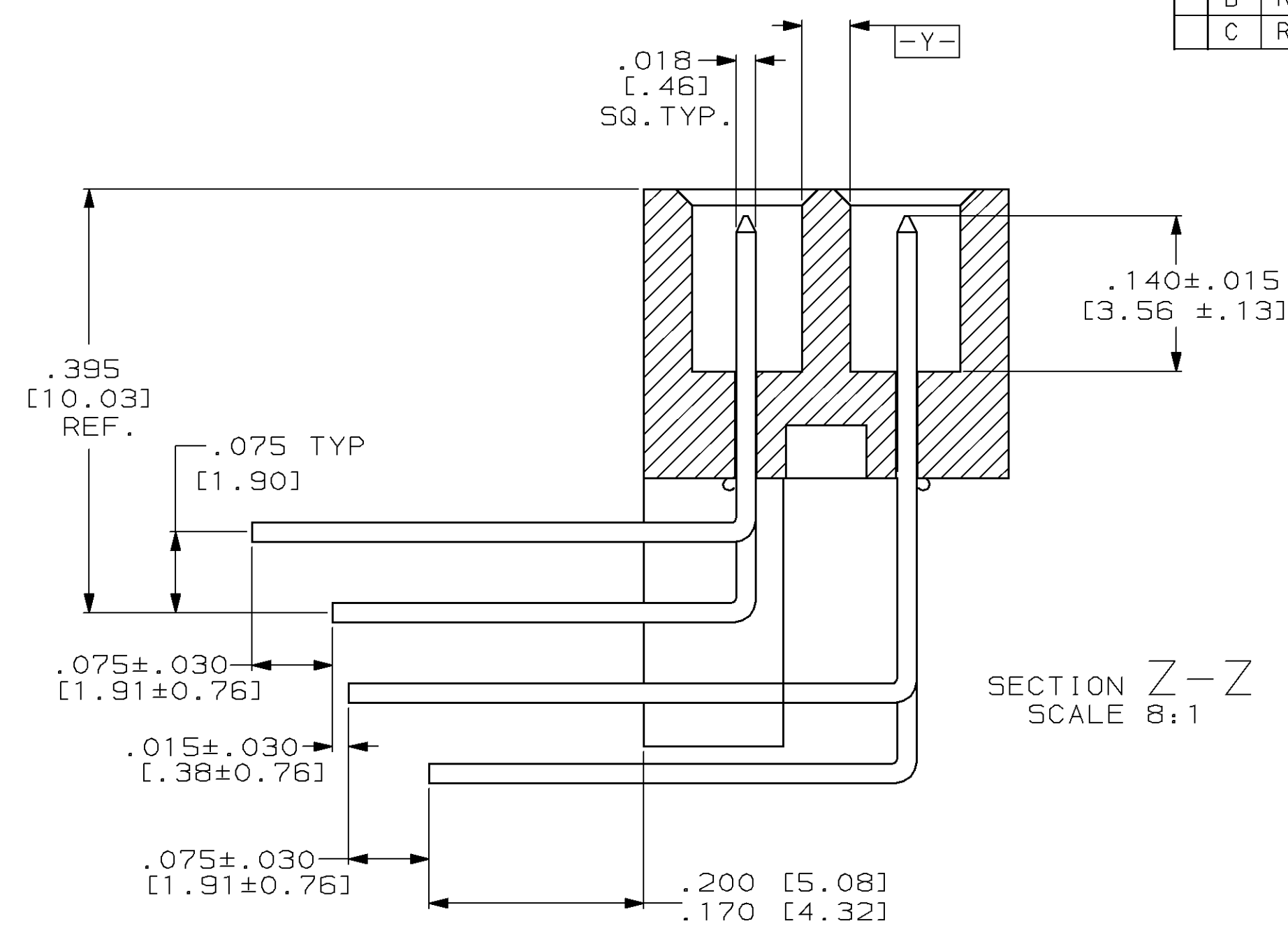
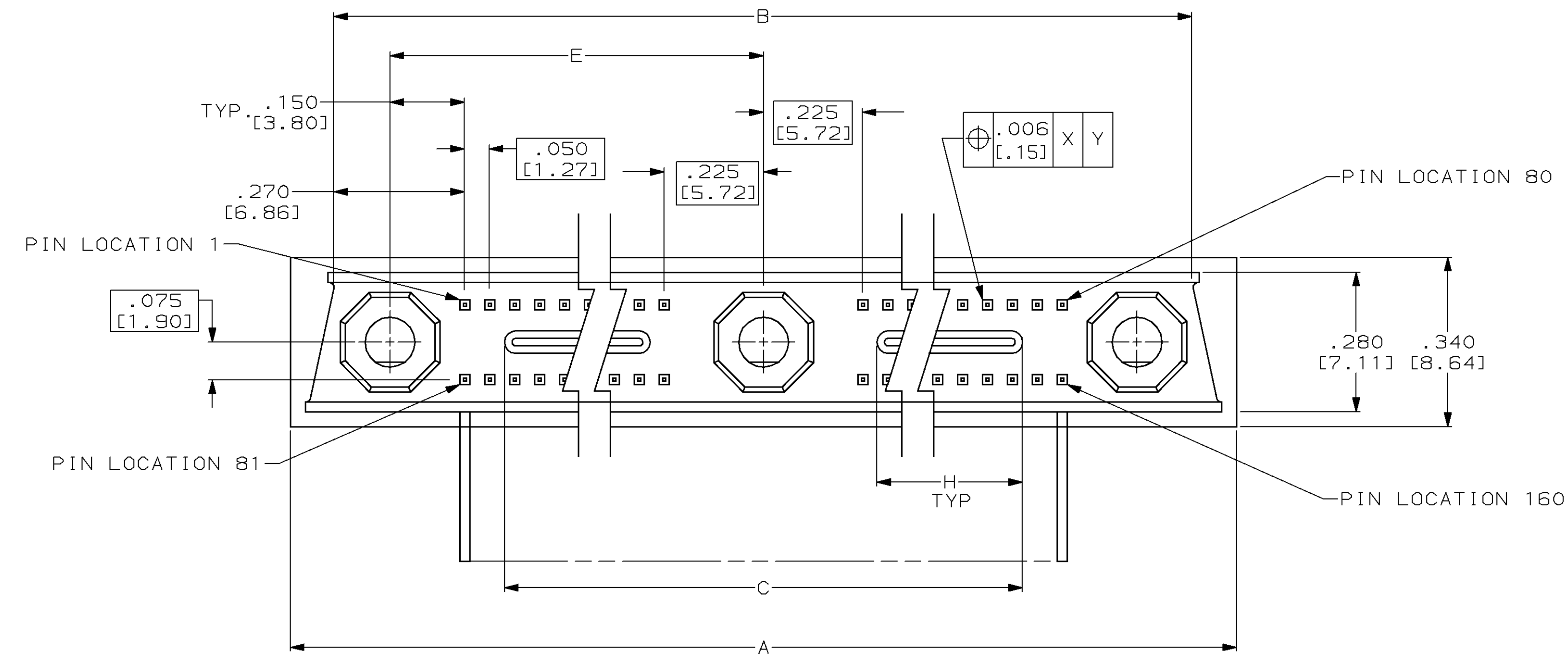


LOC	DIST	REV	DATE	BY	CHK
DF	F0	0	10-5-94	TA	DG
		A	2-9-95	TA	DG
		B	5-5-95	TA	DG
		C	9-96	CT	DG



RECOMMENDED PRINTED CIRCUIT BOARD LAYOUT (CONNECTOR SIDE)

- 'AMP', PART NUMBER, CAGE CODE, CUSTOMER PART NUMBER AND DATE CODE MARKED IN THIS APPROXIMATE AREA. (OPPOSITE SIDE)
- NUMBERS INDICATING END POSITIONS MARKED OPPOSITE SIDE ONLY.
- MEETS ALL APPLICABLE REQUIREMENTS OF MIL-C-55302.
- FINISH: .000050 GOLD IN CONTACT AREA. TIN-LEAD ON CONTACT TAILS, ALL OVER NICKEL UNDERPLATE.
- HOUSING MATERIAL: LIQUID CRYSTAL POLYMER PER MIL-M-24519, GLCP-30F; COLOR: GRAY.
- DIMENSIONS IN BRACKETS ARE IN MILLIMETERS. METRIC EQUIVALENTS ARE BASED UPON 1.00 INCH = 25.4 mm.
- CONTACT MATERIAL: BRASS.

13328435	1 & 80	2.400 [60.96]	1.790 [45.47]	1.950 [49.53]	39	2.325 [59.06]	4.650 [118.11]	4.190 [106.43]	4.890 [124.21]	5.050 [128.27]	160	443041-2
34103973-001	1 & 80	2.400 [60.96]	1.790 [45.47]	1.950 [49.53]	39	2.325 [59.06]	4.650 [118.11]	4.190 [106.43]	4.890 [124.21]	5.050 [128.27]	160	443041-1
CUSTOMER PART NUMBER	CAVITY IDENT.	I	H	[G]	F	E	D	C	B	A	POSN.	PART NUMBER

DIMENSIONS (INCHES [mm])		TOLERANCES UNLESS OTHERWISE SPECIFIED:		MATERIAL		FINISH	
0 PLC	±	0 PLC	±	0 PLC	±	0 PLC	±
1 PLC	±	1 PLC	±	1 PLC	±	1 PLC	±
2 PLC	±	2 PLC	±	2 PLC	±	2 PLC	±
3 PLC	±.010 (0.25)	3 PLC	±	3 PLC	±	3 PLC	±
4 PLC	±	4 PLC	±	4 PLC	±	4 PLC	±
ANGLES 90°/30°		FINISH		MATERIAL		FINISH	

AMP Incorporated
Harrisburg, PA 17105-3508

AMP
P I N H E A D E R A S S E M B L Y,
E X T E N D E D M I N I - B O X,
R I G H T A N G L E

SIZE: A1 CAGE CODE: 00779 DRAWING NO: 443041

SCALE: 5:1 SHEET: 1 OF 1 REV: C