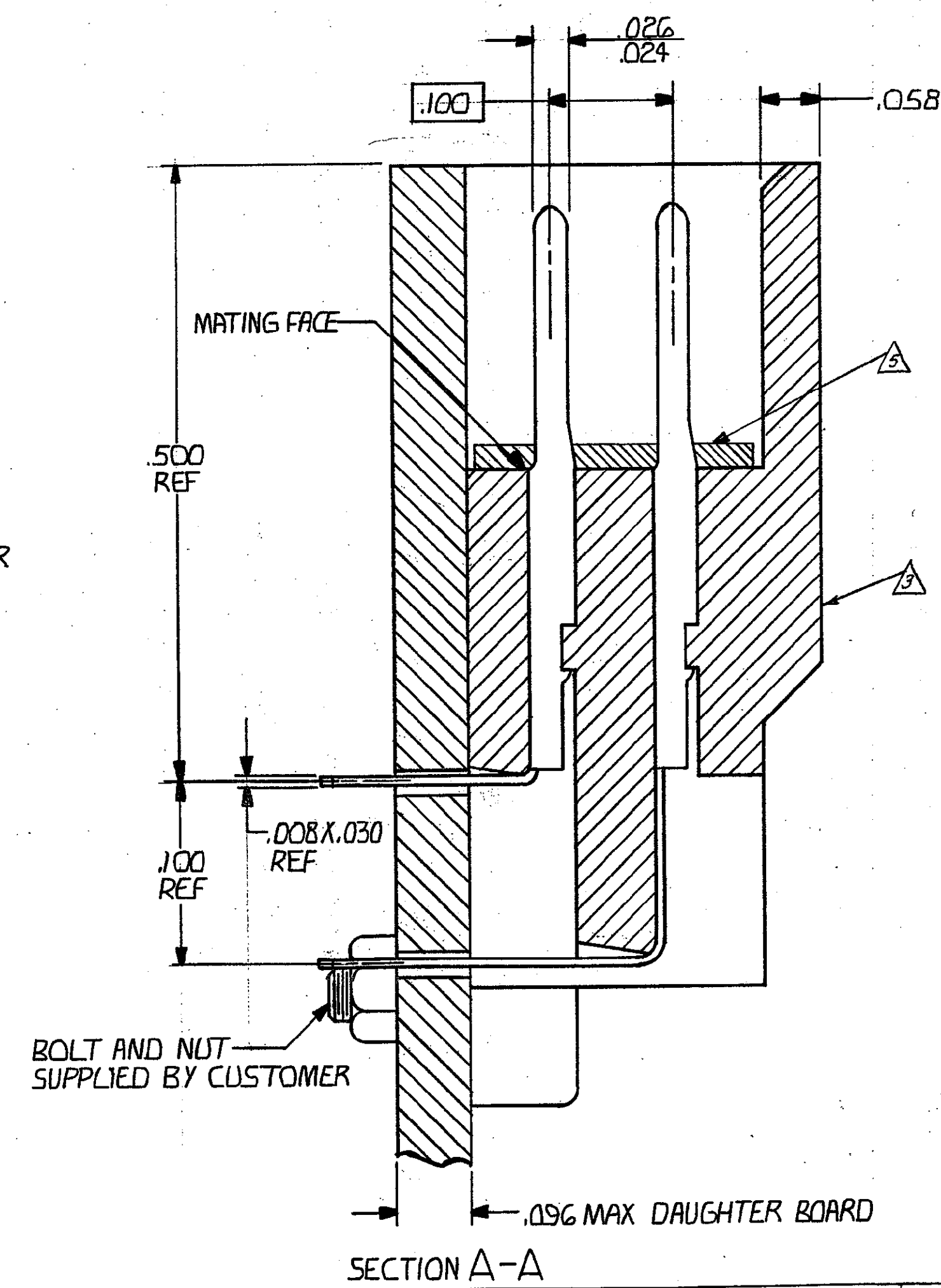
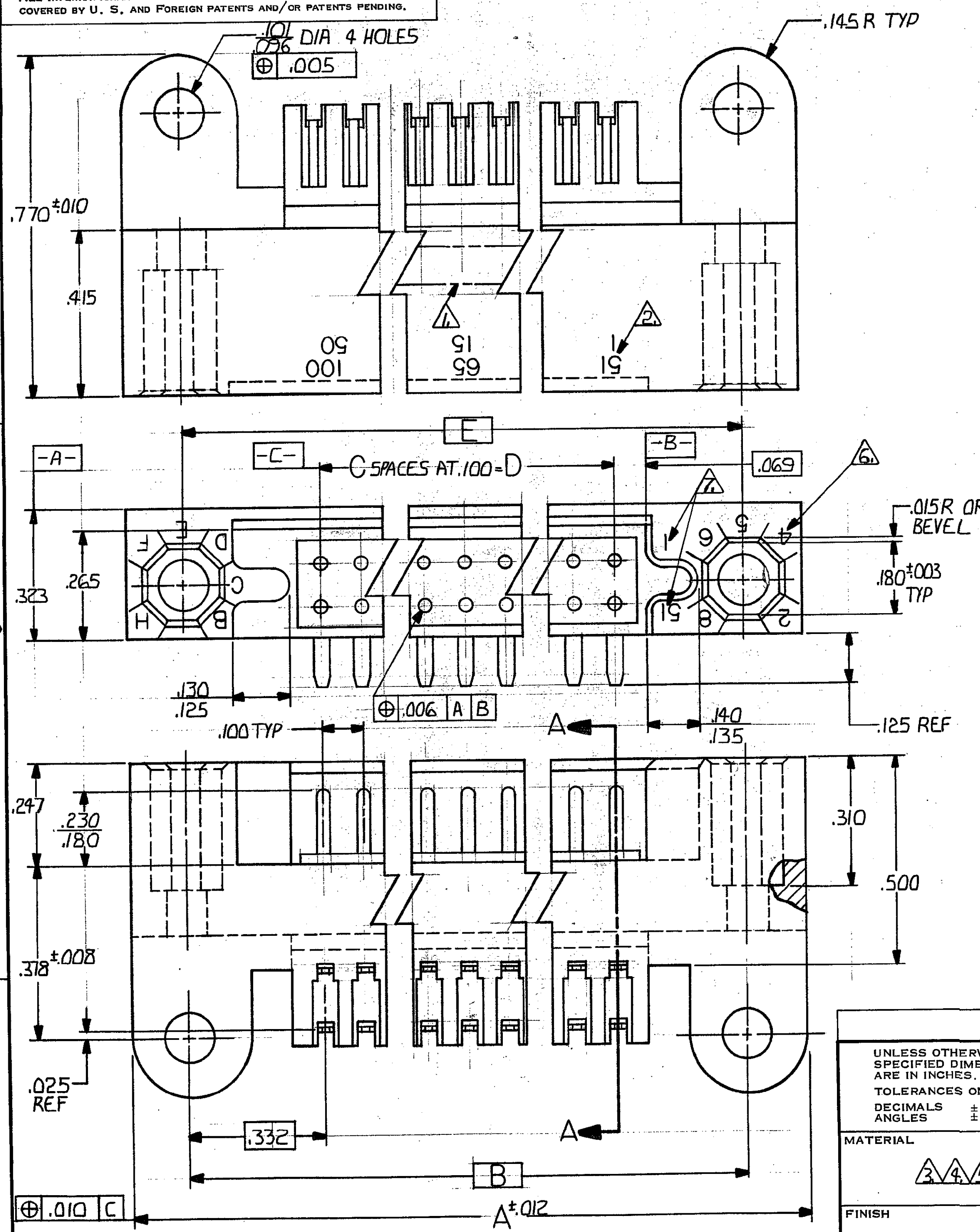


© COPYRIGHT 1978 BY AMP INCORPORATED, HARRISBURG, PA.
 ALL INTERNATIONAL RIGHTS RESERVED. AMP INCORPORATED PRODUCTS
 COVERED BY U. S. AND FOREIGN PATENTS AND/OR PATENTS PENDING.

		REVISIONS				LOC	DIST
P	F	ZONE	LTR	DESCRIPTION	DATE	APPROVED	
			O	REVISED 6924	M.S.	10-80	RWO
			A	REVISED 8082	AMS	8-82	
			D	REV PER DF-0089 & DF-0117	TS	7/80	JAM
			C	REV 0600-5641-96	TT	9-97	DAM

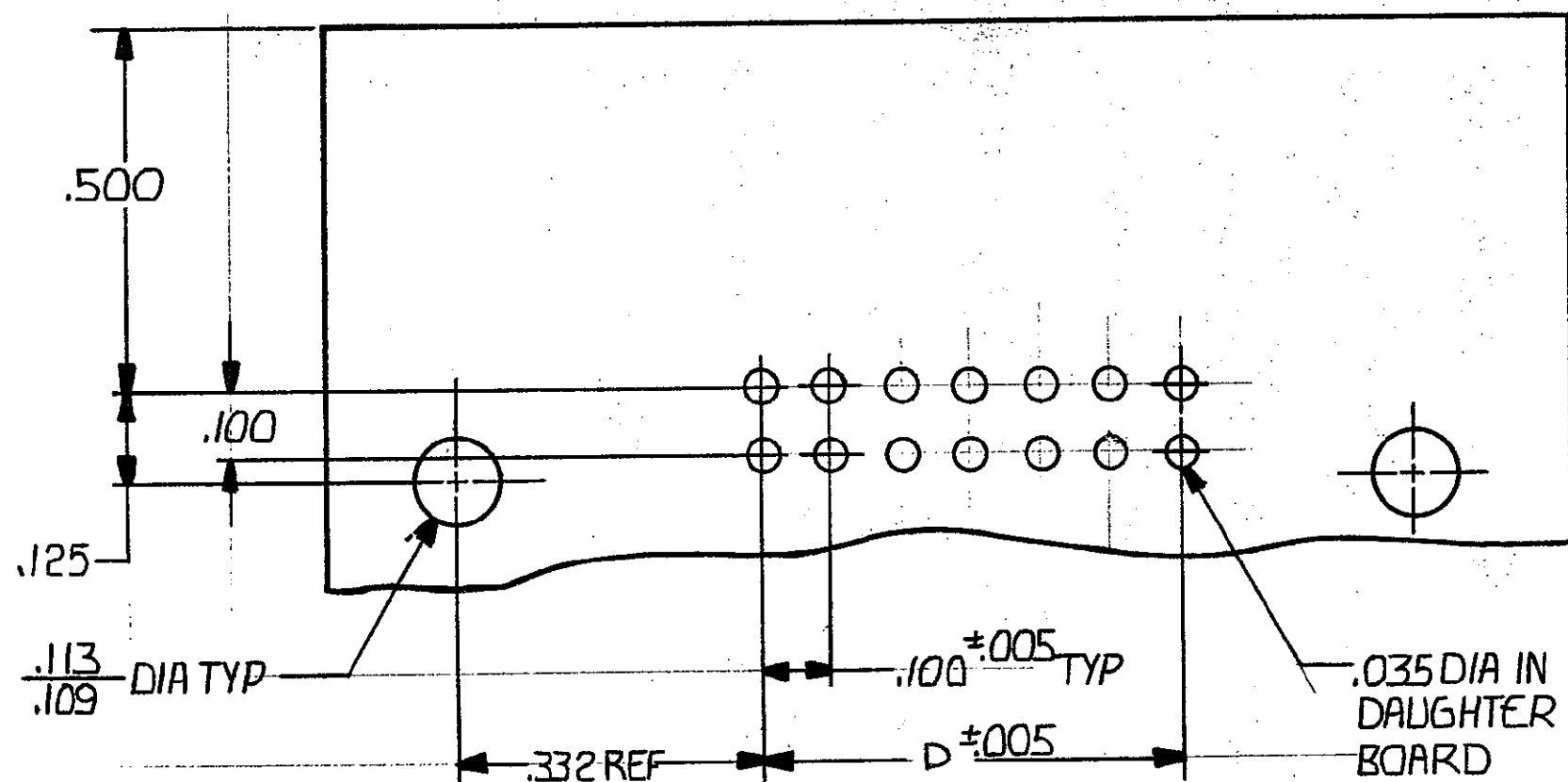


UNLESS OTHERWISE SPECIFIED DIMENSIONS ARE IN INCHES. TOLERANCES ON: DECIMALS $\pm .005$ ANGLES \pm	CONTRACT NO	AMP INCORPORATED Harrisburg, Pa.	
	DR <i>Robert Weber</i>	5-978	NAME BOX CONNECTOR ASSY, RIGHT ANGLE MTG. PIN HEADER W/GASKET, 1000 SERIES, EXTERNAL KEYING
	CHK <i>ROGER W. DURBIN</i>	5-11-78	
	MATERIAL	APPD <i>Roger W. Durbin</i>	5-11-78
FINISH	APPD <i>R. Shawman</i>	5/23/78	
		DSGN APPD	SCALE 5-1
		OTHER APPD	SHEET 1 OF 2

CUSTOMER DRAWING

© COPYRIGHT 1978 BY AMP INCORPORATED, HARRISBURG, PA.
 ALL INTERNATIONAL RIGHTS RESERVED. AMP INCORPORATED PRODUCTS
 COVERED BY U. S. AND FOREIGN PATENTS AND/OR PATENTS PENDING.

REVISONS		DATE	APPROVED
P	F	ZONE	LTR
DESCRIPTION			



RECOMMENDED BOARD LAYOUT

- 1. "AMP" PART NUMBER, AND DATE CODE INK STAMPED WHITE.
- 2. NUMBERS INDICATING EVERY FIVE CAVITIES INK STAMPED WHITE ON SIDE.
- 3. HOUSING MATERIAL: DIALYL PHTHALATE, COLOR: BLUE.
- 4. CONTACT MATERIAL: BRASS, FINISH: .000050 GOLD OVER NICKEL.
- 5. GASKET MATERIAL: .016 THICK, SILICONE RUBBER.
- 6. KEY POSITION IDENTIFICATION MOLDED ON SURFACE SHOWN.
- 7. NUMBERS INDICATING CAVITY IDENTIFICATION INK STAMPED WHITE (SEE TABLE).
- 8. MUST MEET ALL APPLICABLE REQUIREMENTS OF MIL-C-55302.
- 9. USE EXTERNAL KEY PART NUMBER 530341-1. MATES WITH PART NUMBER 530340-1.

OBS	1-56	6.065	5.400	54	6.065	6.355	110	530880-9
OBS B S	1-51	5.565	4.900	49	5.565	5.855	100	530880-8
	1-46	5.065	4.400	44	5.065	5.355	90	530880-7
	1-41	4.565	3.900	39	4.565	4.855	80	530880-6
	1-36	4.065	3.400	34	4.065	4.355	70	530880-5
OBS	1-31	3.565	2.900	29	3.565	3.855	60	530880-4
	1-26	3.065	2.400	24	3.065	3.355	50	530880-3
OBS	1-21	2.565	1.900	19	2.565	2.855	40	530880-2
OBS	1-16	2.065	1.400	14	2.065	2.355	30	530880-1

UNLESS OTHERWISE SPECIFIED DIMENSIONS ARE IN INCHES. TOLERANCES ON: DECIMALS ±.005 ANGLES	CONTRACT NO		AMP INCORPORATED Harrisburg, Pa.		
	DR	5-9-78			
	MATERIAL	Robert W. Durbin Roger W. Durbin APPD APPD B. Shoumen 5-23-78	NAME		BOX CONNECTOR ASSY, RIGHT ANGLE MTG, PIN HEADER W/GASKET, 1000 SERIES EXTERNAL KEYING
	FINISH	DSGN APPD OTHER APPD	SIZE	CODE IDENT NO	
		C	00779	530880	
		SCALE	5-1	SHEET 2 OF 2	

CUSTOMER DRAWING