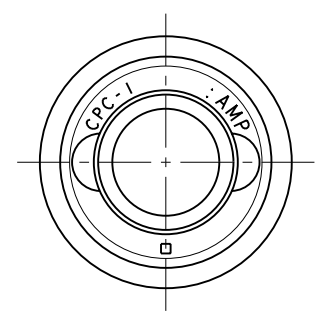
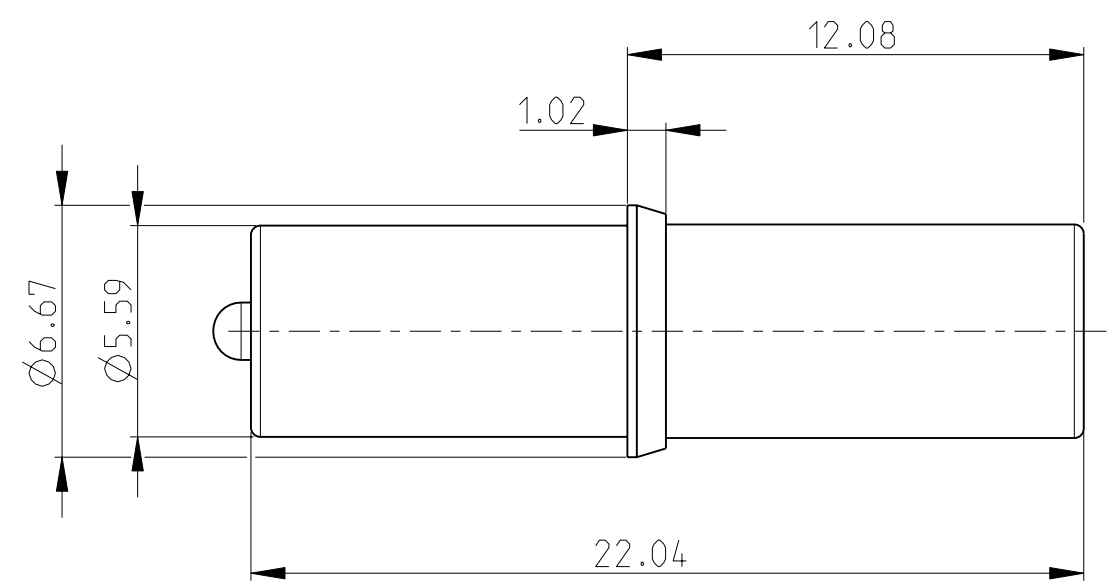


THIS DRAWING IS UNPUBLISHED. RELEASED FOR PUBLICATION 2008
 © COPYRIGHT 2008 BY TYCO ELECTRONICS CORPORATION. ALL RIGHTS RESERVED.

LOC	DIST	REVISIONS			
P	LTR	DESCRIPTION	DATE	DWN	APVD
AL	2	A	New drawing released	03NOV2008	J.S P.E.G



Black	PA 66
Colour	Material

<small>THIS DRAWING IS A CONTROLLED DOCUMENT FOR TYCO ELECTRONICS CORPORATION IT IS SUBJECT TO CHANGE AND THE CONTROLLING ENGINEERING ORGANIZATION SHOULD BE CONTACTED FOR THE LATEST REVISION.</small>		DWN	J. Salo	03NOV2008	Tyco Electronics AMP España, S.A. Barcelona, Spain.
DIMENSIONS: mm		CHK	R. Sole	03NOV2008	
		APVD	P.F. Grassano	03NOV2008	
TOLERANCES UNLESS OTHERWISE SPECIFIED: 0 PLC ±- 1 PLC ±- 2 PLC ±- 3 PLC ±0.4 4 PLC ±- ANGLES ±1° 30' FINISH -		PRODUCT SPEC	NAME SINGLE CIRCUIT MATE-N-LOCK, PLUG (SOCKET)		
MATERIAL	See table	APPLICATION SPEC	SIZE A3 CAGE CODE - DRAWING NO C-926175 RESTRICTED TO -		
		WEIGHT	CUSTOMER DRAWING SCALE 5:1 SHEET 1 OF 1 REV A		