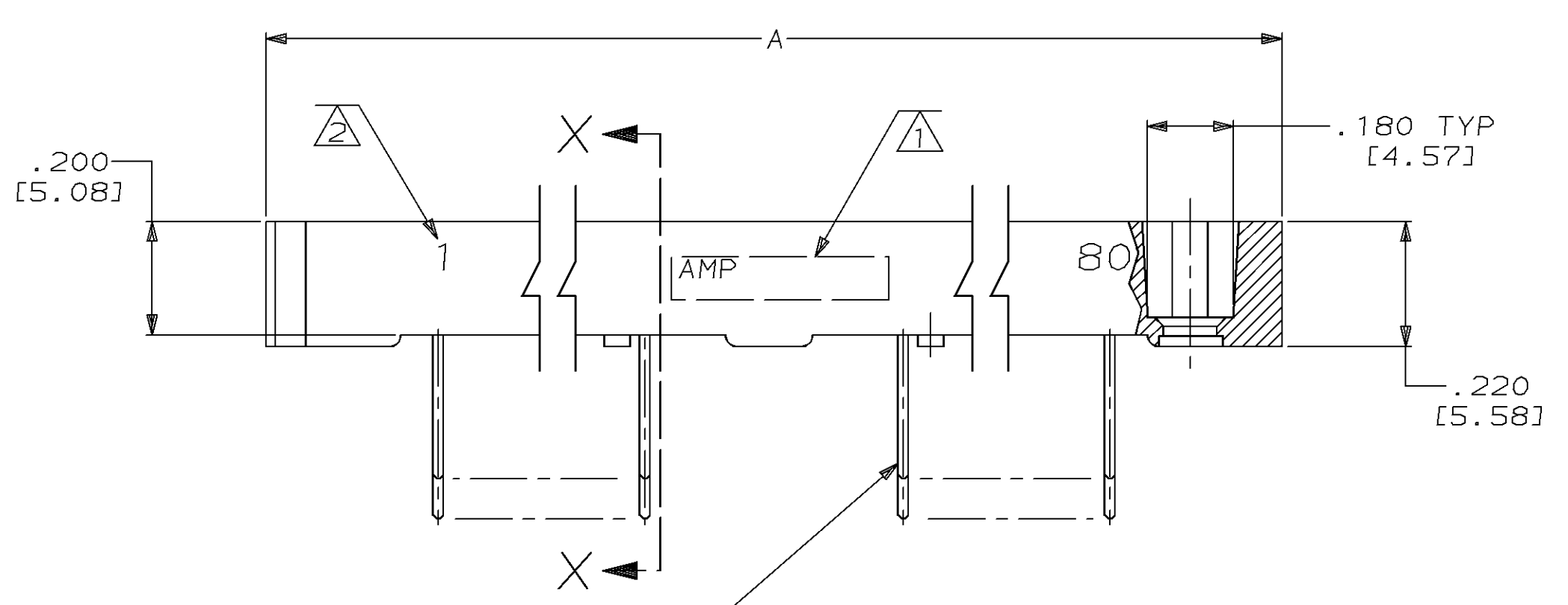
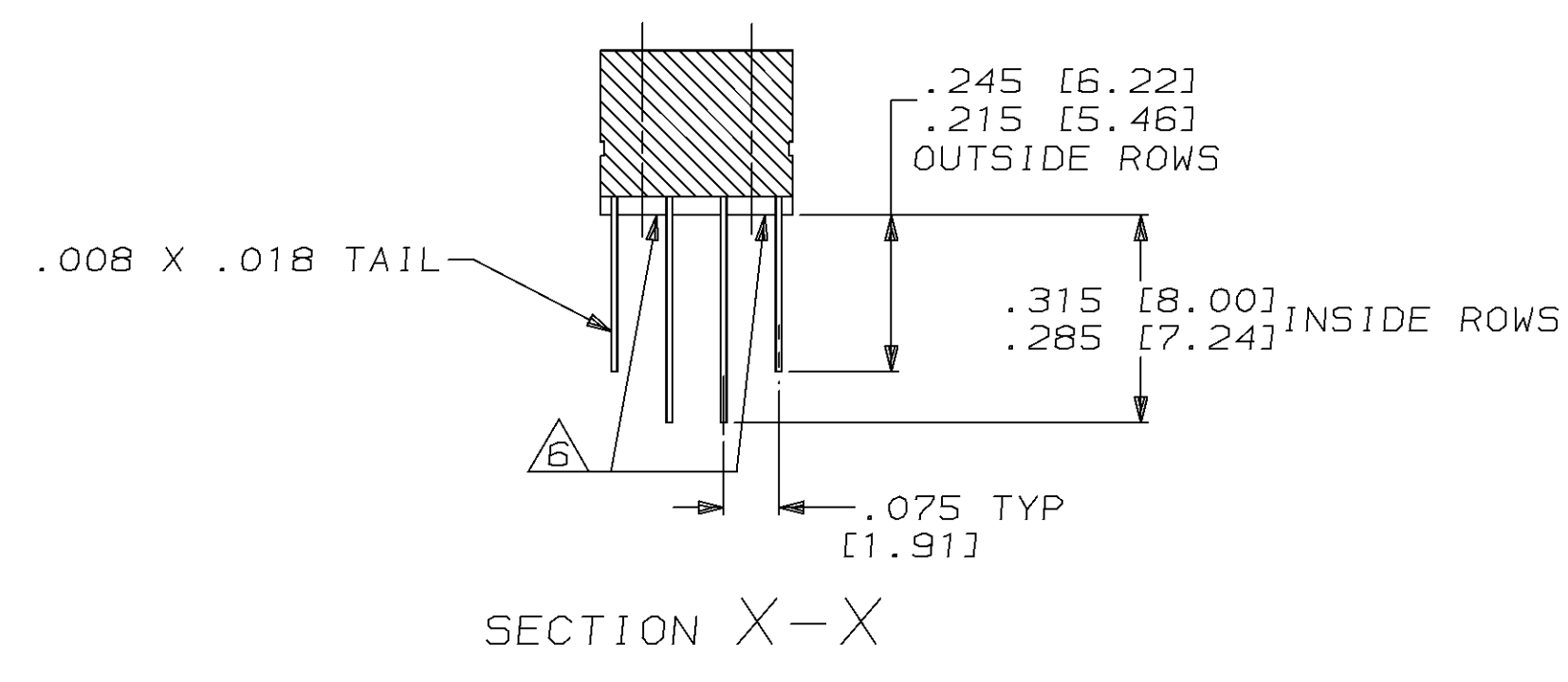
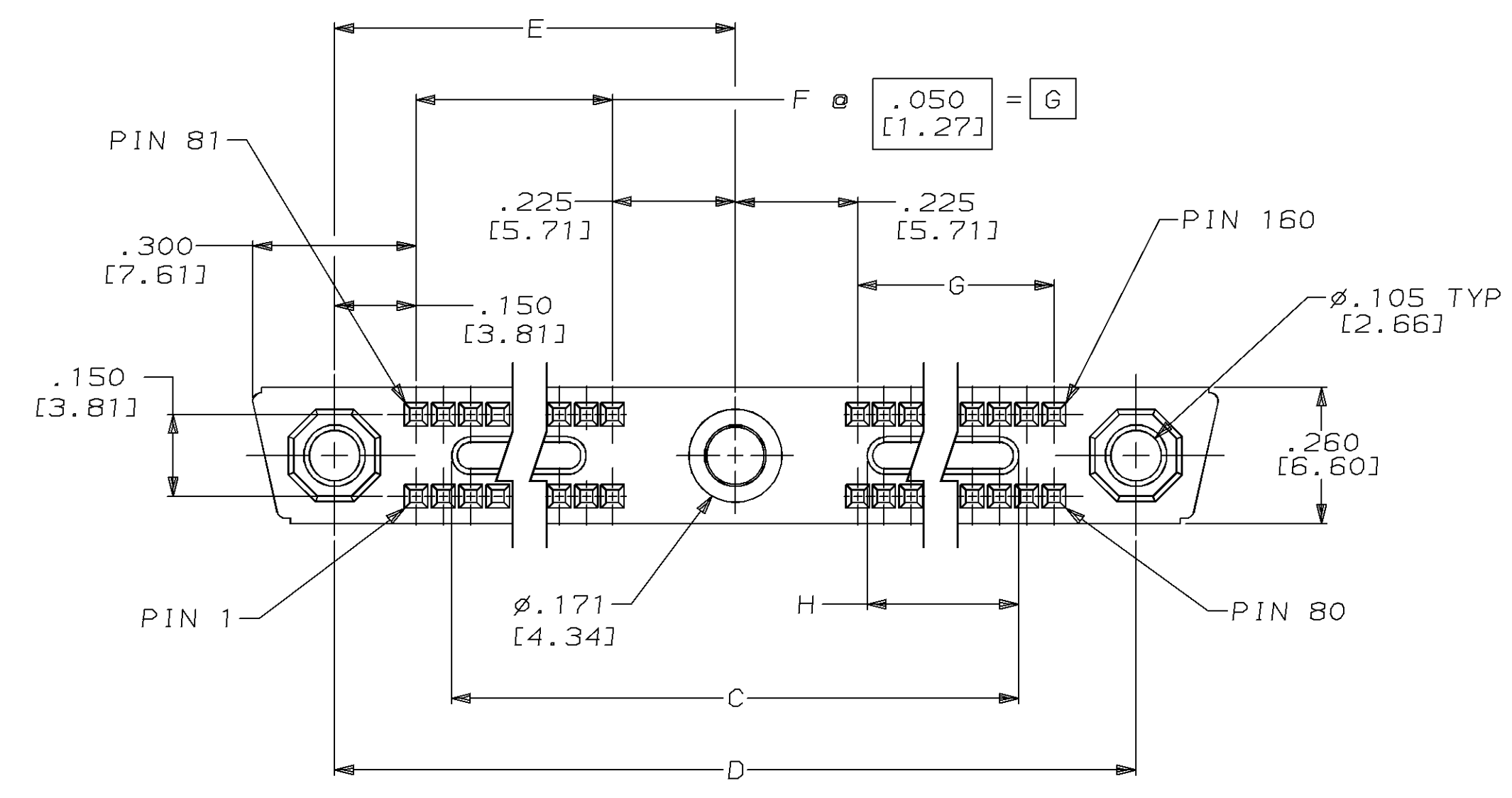
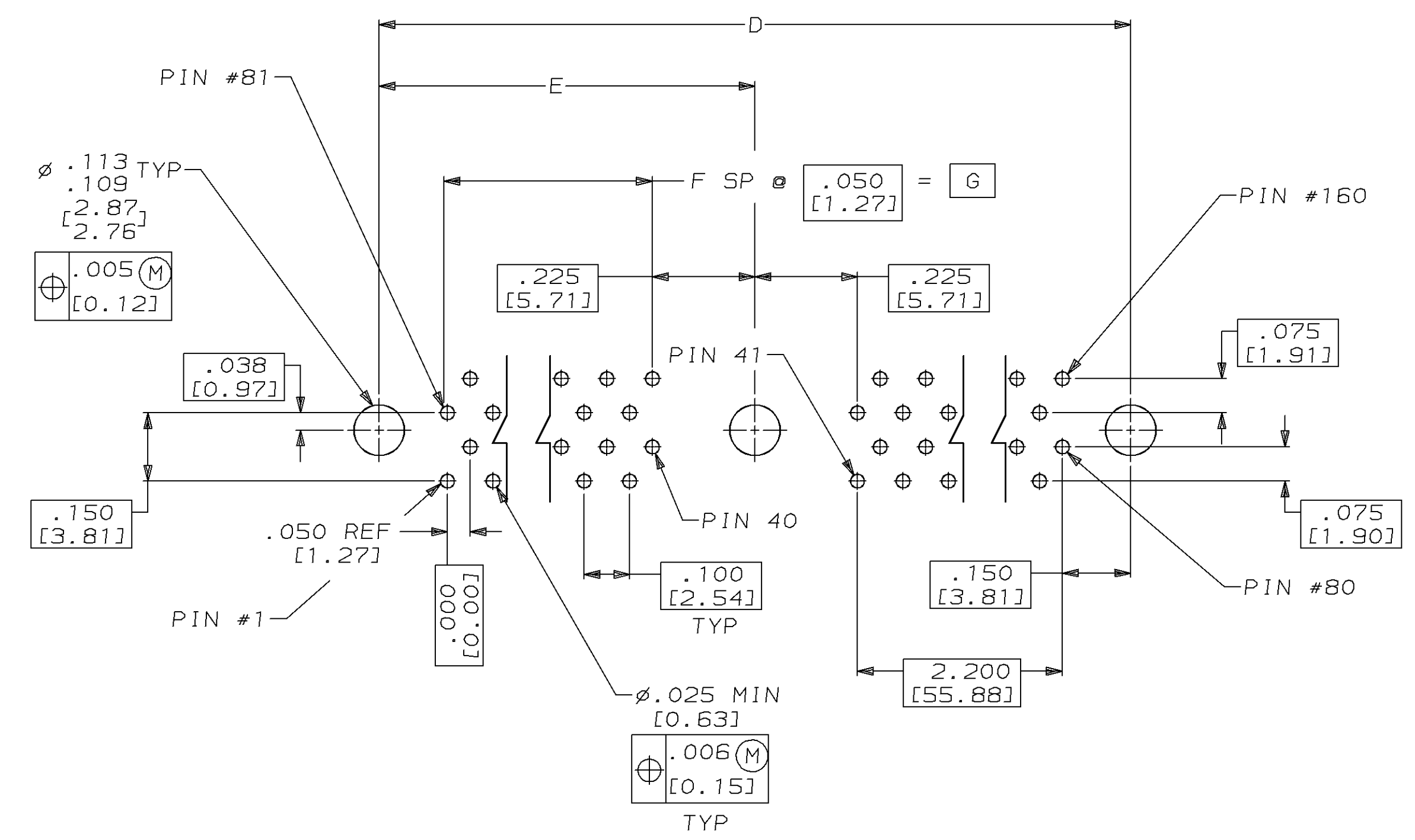
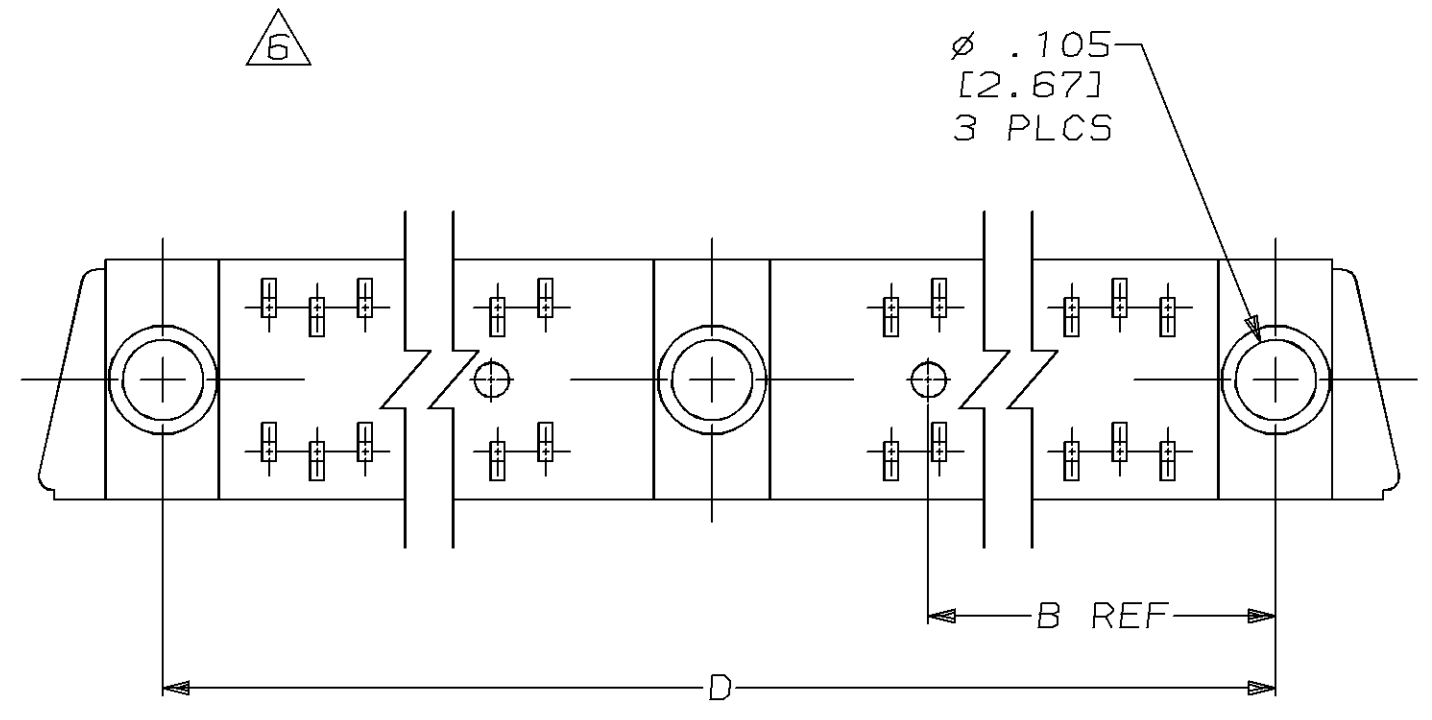


LOC		DIST		REVISIONS			
DF	FO	P	LYR	DESCRIPTION	DATE	DMY	APVD
		0	REL	PER 0600-2664-94	9-16-94	TA	DG
		A	REL	-2, PER 0600-3553-95	2-9-95	TA	DG
		B	REVISED	PER 0600-3710-95	6-5-95	TA	DG



CONTACTS (QTY=160)  
MAT'L: Be Cu PER QQ-C-533



P.C. BOARD LAYOUT (CONNECTOR SIDE)

- △ AMP, AMP PART NUMBER, CAGE CODE, CUSTOMER PART NUMBER AND DATE CODE MARKED IN THIS APPROXIMATE AREA.
- △ NUMBERS INDICATING END POSITIONS MARKED THIS SIDE ONLY.
- 3. MEETS ALL APPLICABLE REQUIREMENTS OF MIL-C-55302.
- △ FINISH: .000050 [0.0012] GOLD PER MIL-G-45204 OVER NICKEL PER QQ-N-290 IN CONTACT AREA. REMAINDER OF CONTACT TIN-LEAD OVER NICKEL.
- △ HOUSING MATERIAL: LIQUID CRYSTAL POLYMER PER MIL-M-24519, GLCP-30F; COLOR: GRAY.
- △ BOTTOM SURFACE OF HOUSING SEALED.

CUSTOMER PART NUMBER	CUSTOMER CONTACT IDENT NUMBERS	H	G	F	E	D	C	B	A	NUMBER OF CONTACTS	PART NUMBER
13328436	1 & 80	1.800 [45.72]	1.950 [49.53]	39	2.325 [59.06]	4.650 [118.11]	4.200 [106.68]	1.162 [29.51]	4.950 [125.73]	160	443040-2
34103972-001	1 & 80	1.800 [45.72]	1.950 [49.53]	39	2.325 [59.06]	4.650 [118.11]	4.200 [106.68]	1.162 [29.51]	4.950 [125.73]	160	443040-1

DIMENSIONS:		TOLERANCES UNLESS OTHERWISE SPECIFIED:		DWN T. ALEXANDER 9-15-94		CHK D. GUTTER 9-16-94		APVD D. GUTTER 9-16-94		NAME	
mm		0 PLC ± .010 (0.25)		1 PLC ± .010 (0.25)		2 PLC ± .010 (0.25)		3 PLC ± .010 (0.25)		RECEPTACLE ASSEMBLY, EXTENDED MINI-BOX WITH LOW FORCE CONTACTS, SPECIAL	
MATERIAL		FINISH		WEIGHT		SIZE		CAGE CODE		DRAWING NO	
△		△		-		A1		00779		C-443040	
CUSTOMER DRAWING		SCALE		SHEET		REV		1 OF 1		B	