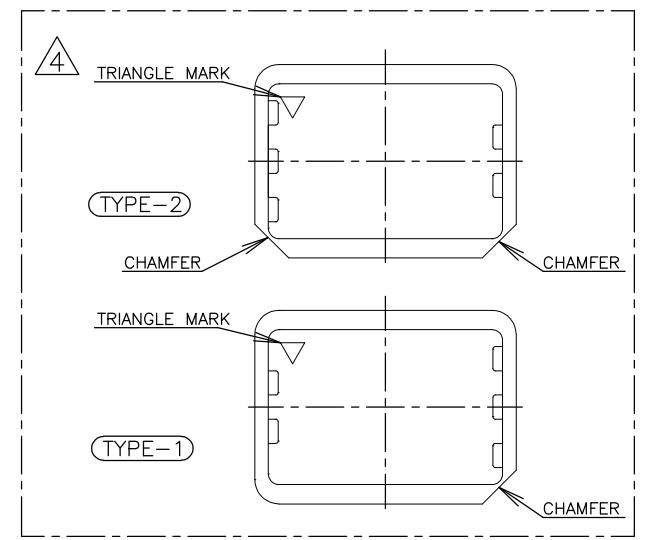
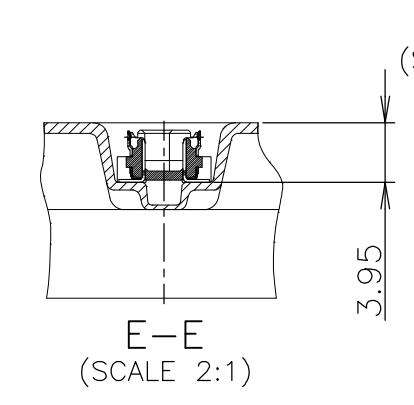
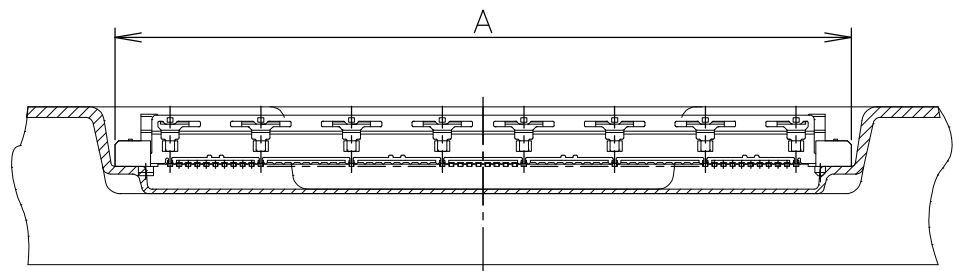
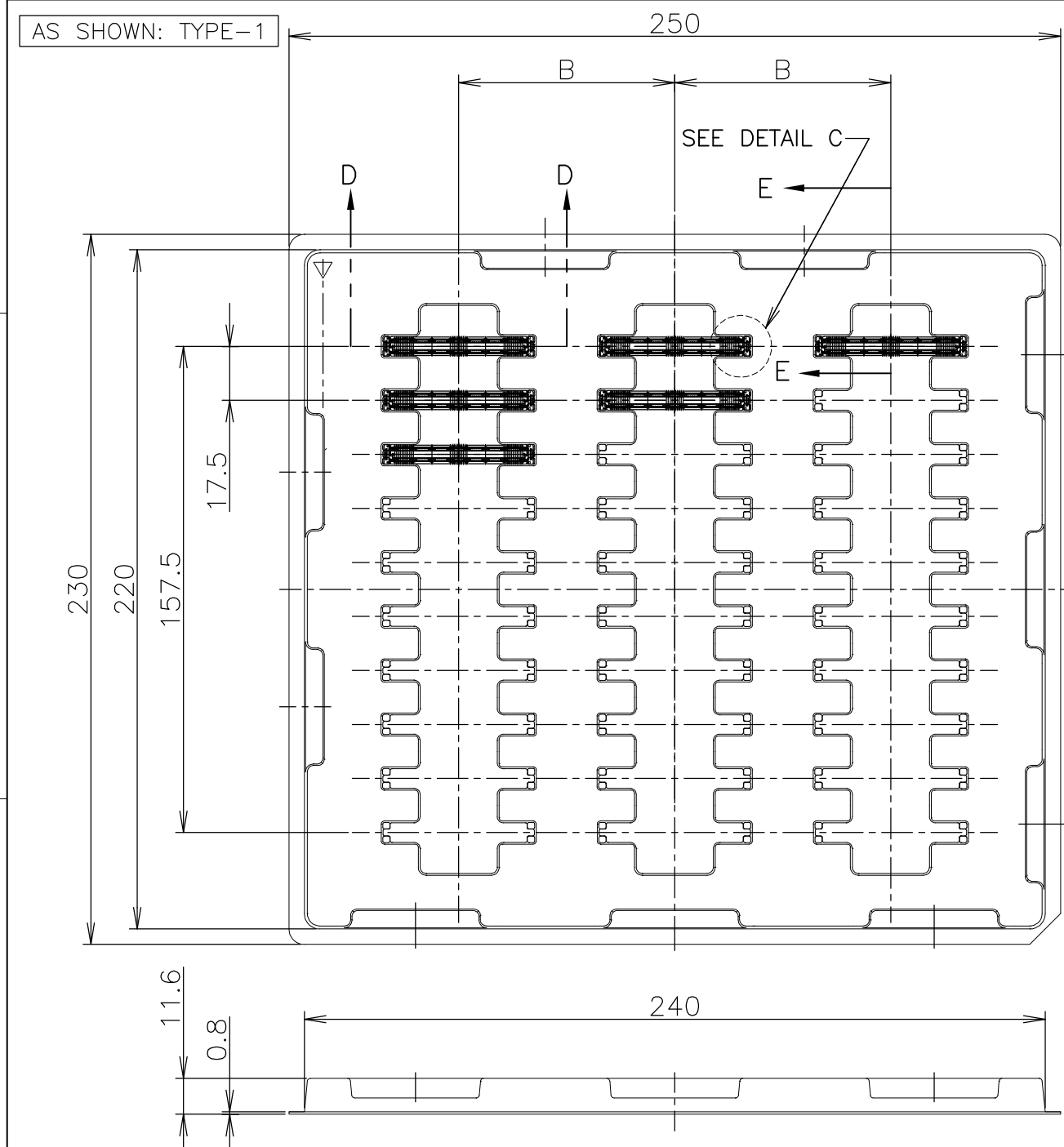


THIS DRAWING IS UNPUBLISHED. RELEASED FOR PUBLICATION MAY, 1995.
 © COPYRIGHT 1995 BY TYCO ELECTRONICS CORPORATION. ALL RIGHTS RESERVED.

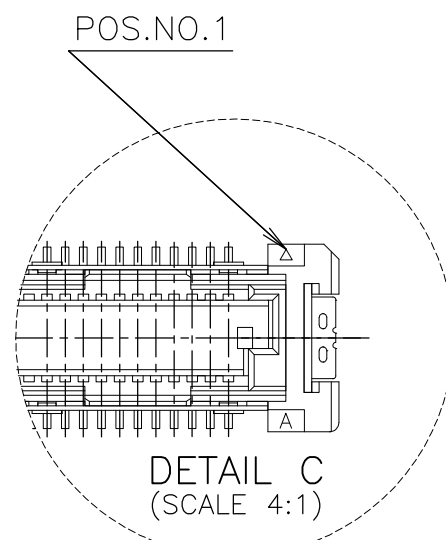
LOC	DIST	REVISIONS					
J		P	LTR	DESCRIPTION	DATE	DWN	APVD
			J1	REVISED PER ECO-10-000443	13JAN10	KK	AEG



SEALANT	TOOLING STATUS	ROW	QTY	B	A	POS.	TRAY P/N	PART NO.	
		AVAILABLE	3	30	70	48.7	140	912063-8	6-316076-0
NOT AVAILABLE				42.7	120	4-912065-9	5-	-9	
				36.7	100	8-912066-2	5-	-8	
		3	30	70	33.7	90	9-912066-6	5-	-7
		5	50	43	30.7	80	912067-3	5-	-6
				27.7	70	912063-1	5-	-5	
NOT AVAILABLE				24.7	60	9-912066-5	5-	-4	
AVAILABLE				21.7	50	9-912062-9	5-	-3	
NOT AVAILABLE				18.7	40	9-912066-4	5-	-2	
NOT AVAILABLE		5	50	43	15.7	30	9-912066-3	5-316076-1	
NON SEALANT		AVAILABLE	3	30	70	48.7	140	912063-8	1-316076-0
		NOT AVAILABLE			42.7	120	4-912065-9		-9
					36.7	100	8-912066-2		-8
			3	30	70	33.7	90	9-912066-6	-7
			5	50	43	30.7	80	912067-3	-6
					27.7	70	912063-1	-5	
		NOT AVAILABLE			24.7	60	9-912066-5	-4	
		AVAILABLE			21.7	50	9-912062-9	-3	
		NOT AVAILABLE			18.7	40	9-912066-4	-2	
		NOT AVAILABLE	5	50	43	15.7	30	9-912066-3	316076-1

④ OBSOLETE
 ⑤ OBSOLETE
 ⑤ OBSOLETE

- ④ TRAY TYPE-1 AND TYPE-2 MUST BE PILED UP BY TURNS. (REFER TO PACKING SPECIFICATIONS)
- ⑤ OBSOLETE PARTS: OBSOLETE CIS STREAMLINING PER D.RENAUD/D.SINISI



GENERAL TOLERANCE
 一般公差

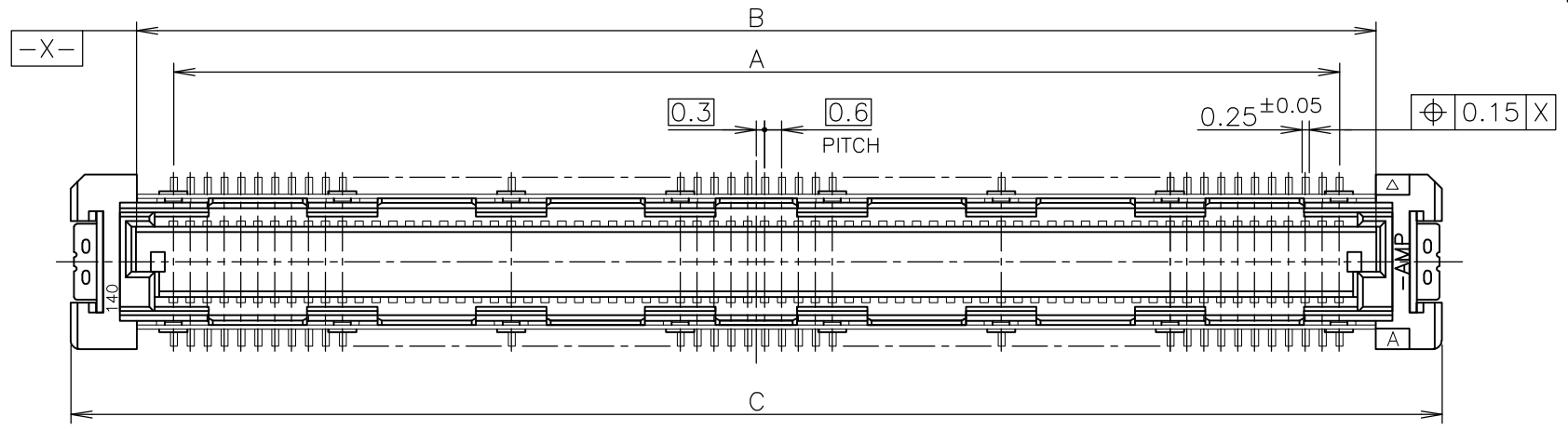
10 ≥	±0.2
30 ≥	>10: ±0.25
100 ≥	>30: ±0.3
ANGLES: ±3°	

THIS DRAWING IS A CONTROLLED DOCUMENT.

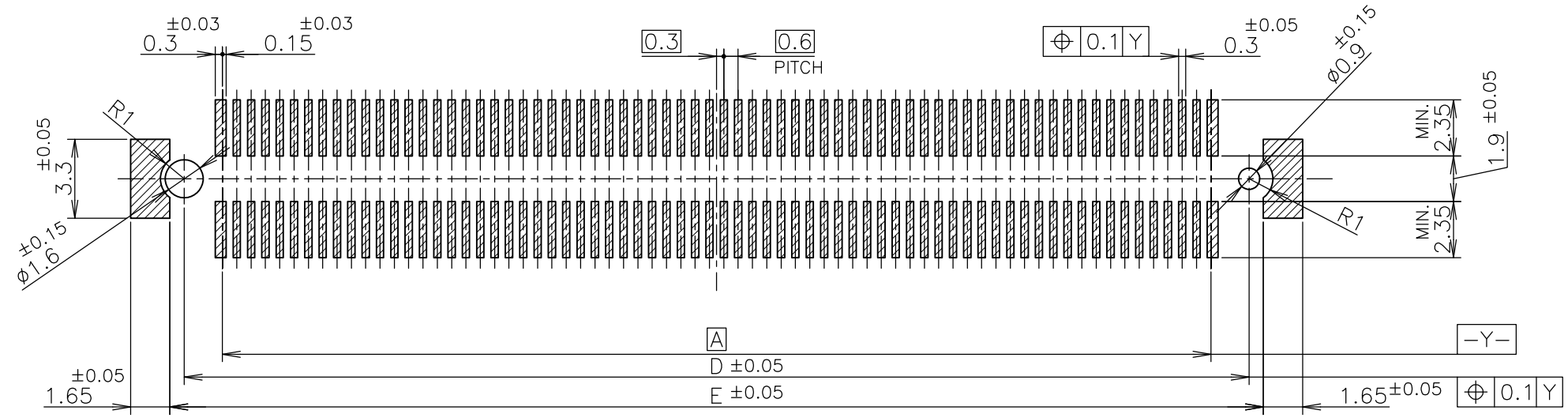
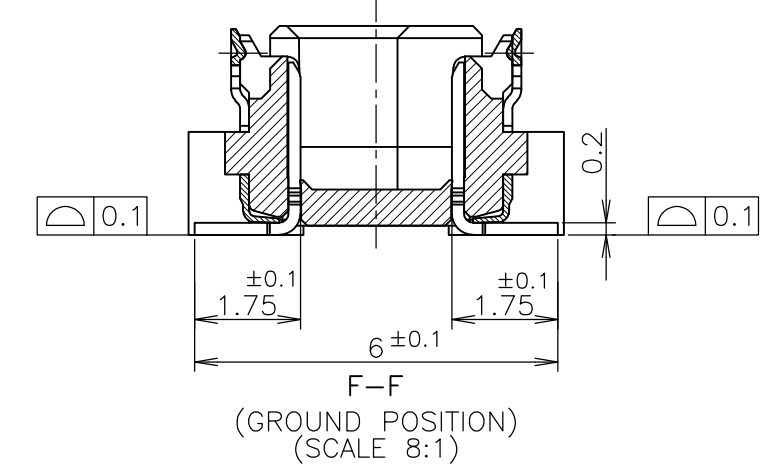
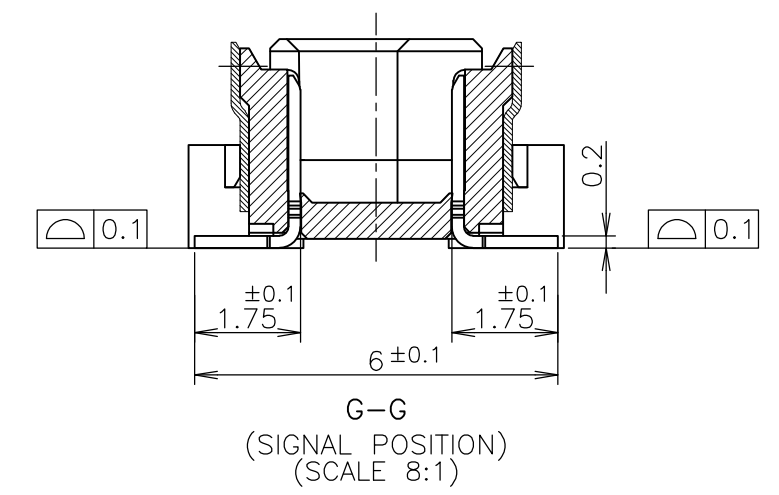
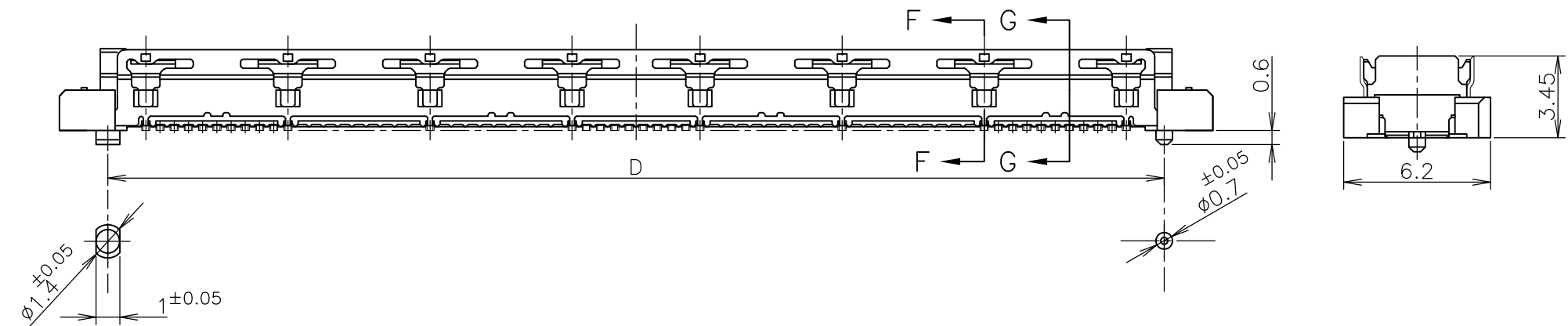
DIMENSIONS: MM	TOLERANCES UNLESS OTHERWISE SPECIFIED:	DWN T.KUSUHARA 11MAY95	Tyco Electronics Corporation Kawasaki, Japan
MATERIAL	FINISH	CHK I.ENOMOTO 12MAY95	
		APVD I.ENOMOTO 12MAY95	
PRODUCT SPEC		NAME	
APPLICATION SPEC		108-5468	
WEIGHT		SIZE A3	CAGE CODE 00779
CUSTOMER DRAWING		DRAWING NO. C-316076	
SCALE 1:2		RESTRICTED TO	
SHEET 1 OF 3		REV J1	

THIS DRAWING IS UNPUBLISHED. RELEASED FOR PUBLICATION MAY, 1995.
 © COPYRIGHT 1995 BY TYCO ELECTRONICS CORPORATION. ALL RIGHTS RESERVED.

LOC	DIST	REVISIONS			
P	LTR	DESCRIPTION	DATE	DWN	APVD
J		SEE SHEET 1	-	-	-



- ① MATERIAL ; HOUSING : HIGH TEMP THERMO PLASTIC UL94V-0
CONTACT : COPPER ALLOY
- ② FINISH ; UNDER PL Ni 0.0013mm MIN ALL OVER.
CONTACT AREA 0.0002 MIN Au PL.
SOLDERING AREA 0.001 MIN Sn-Pb
- ③ THIS POSITION IS GROUND CIRCUIT.



REFERENCE P.C. BOARD LAYOUT

AVAILABLE	45.8	44.6	48.7	44	41.4	140
NOT AVAILABLE	39.8	38.6	42.7	38	35.4	120
AVAILABLE	33.8	32.6	36.7	32	29.4	100
NOT AVAILABLE	30.8	29.6	33.7	29	26.4	90
NOT AVAILABLE	27.8	26.6	30.7	26	23.4	80
AVAILABLE	24.8	23.6	27.7	23	20.4	70
↑	21.8	20.6	24.7	20	17.4	60
AVAILABLE	18.8	17.6	21.7	17	14.4	50
NOT AVAILABLE	15.8	14.6	18.7	14	11.4	40
NOT AVAILABLE	12.8	11.6	15.7	11	8.4	30
TOOLING STATUS	E	D	C	B	A	POS

THIS DRAWING IS A CONTROLLED DOCUMENT.		DWN		Tyco Electronics Corporation	
DIMENSIONS: MM		CHK		Tyco Electronics	
TOLERANCES UNLESS OTHERWISE SPECIFIED:		APVD		Kawasaki, Japan	
0 PLC ± 0.3		PRODUCT SPEC		NAME	
1 PLC ± 0.3		APPLICATION SPEC		TRAY ASSY	
2 PLC ± 0.3		WEIGHT		FH 0.6BTB CONNECTOR	
3 PLC ± 0.3		SIZE		PLUG 4H W/G-CONT	
4 PLC ± 0.3		CAGE CODE		DRAWING NO	
ANGLES ± 3°		A3 00779		G-316076	
FINISH		RESTRICTED TO		SCALE 4:1	
①		CUSTOMER DRAWING		SHEET 2 OF 3	
②				REV J1	

4

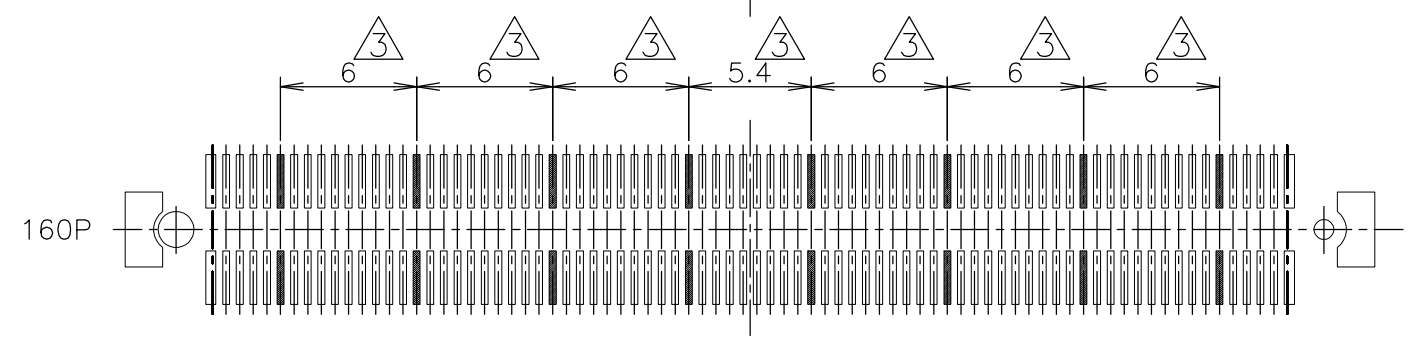
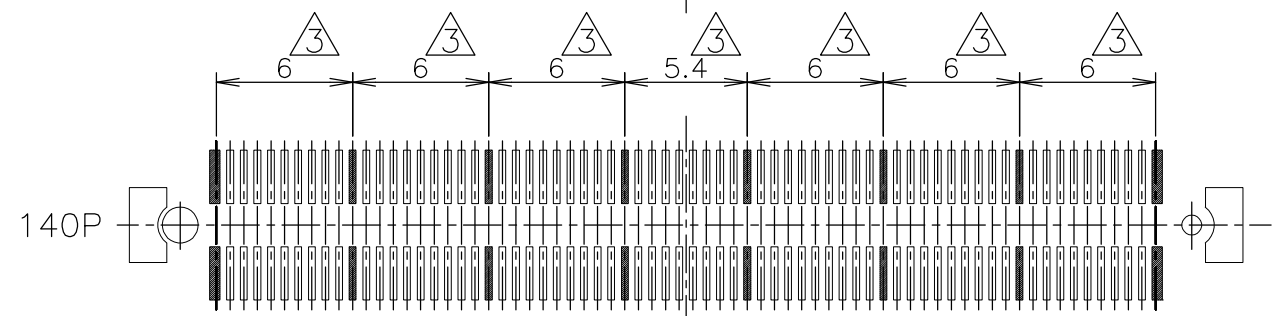
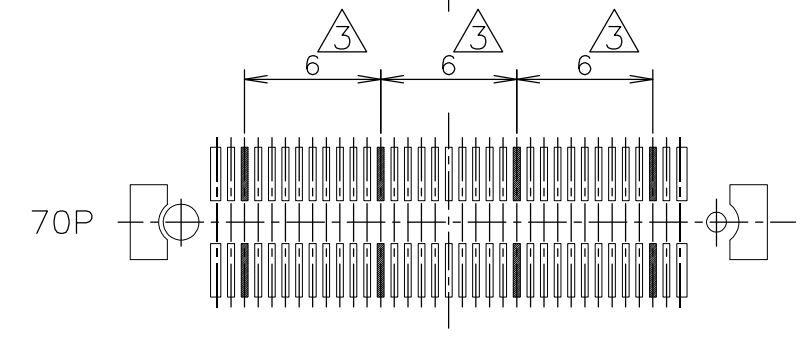
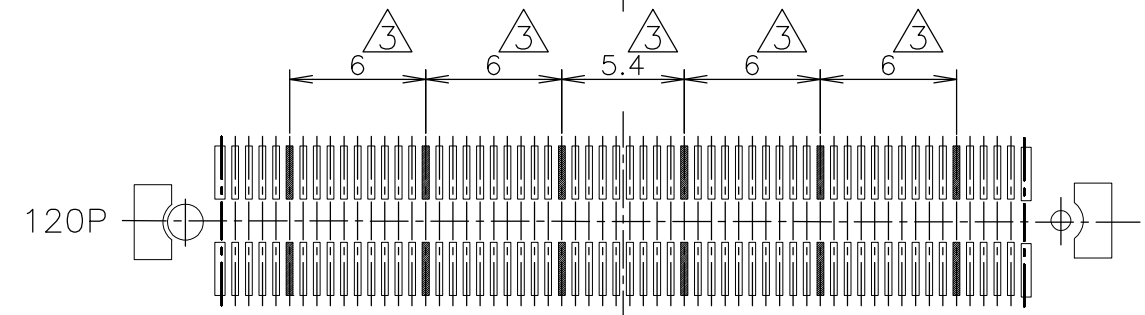
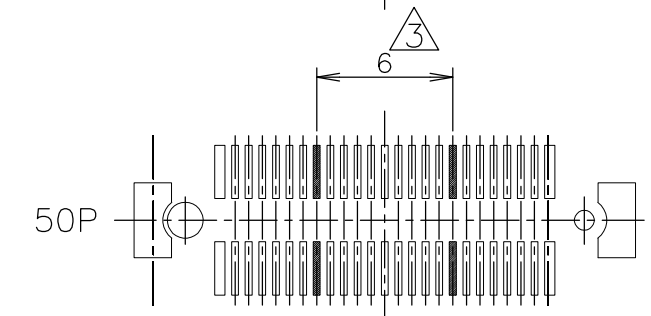
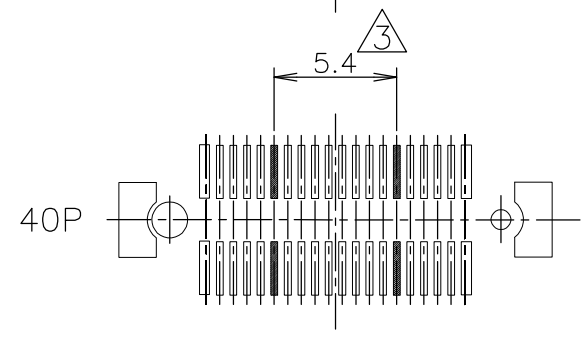
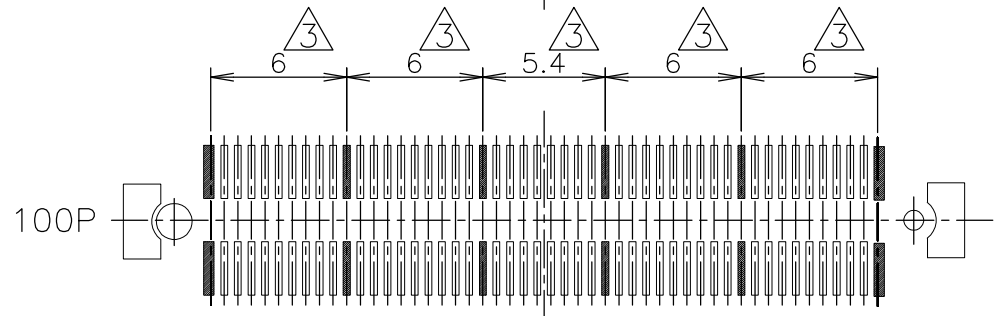
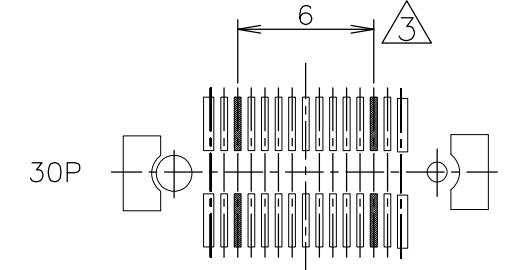
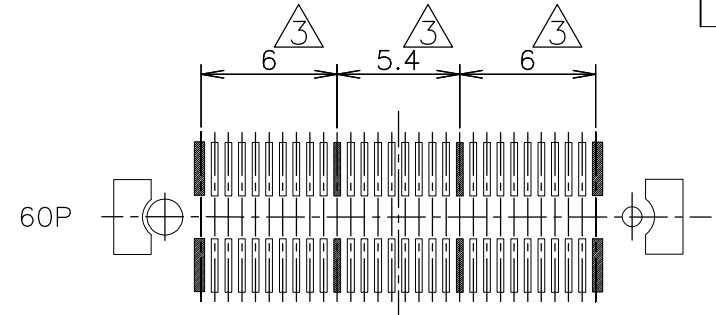
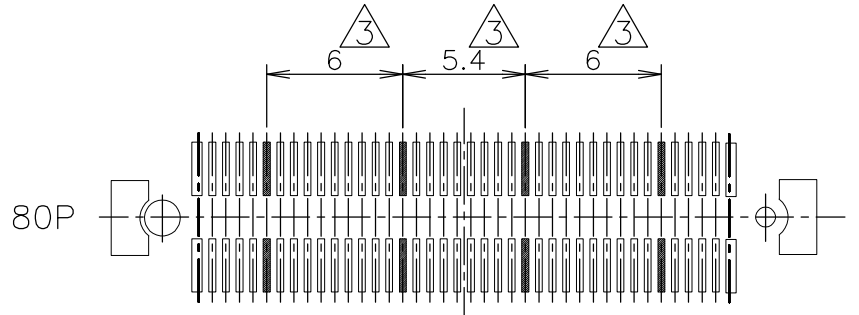
3

2

1

THIS DRAWING IS UNPUBLISHED. RELEASED FOR PUBLICATION MAY, 1995.
 © COPYRIGHT 1995 BY TYCO ELECTRONICS CORPORATION. ALL RIGHTS RESERVED.

LOC J	DIST	REVISIONS		
P	LTR	DESCRIPTION	DATE	DWN
		SEE SHEET 1	-	-
				APVD



THIS DRAWING IS A CONTROLLED DOCUMENT.		DWN	Tyco Electronics Corporation Kawasaki, Japan		
DIMENSIONS: MM		CHK	NAME		
TOLERANCES UNLESS OTHERWISE SPECIFIED:		APVD	TRAY ASSY FH 0.6BTB CONNECTOR PLUG 4H W/G-CONT		
0 PLC ± 0.3		PRODUCT SPEC	SIZE	CAGE CODE	DRAWING NO
1 PLC ± 0.3		APPLICATION SPEC	A3	00779	C-316076
2 PLC ± 0.3		WEIGHT	RESTRICTED TO		
3 PLC ± 0.3		CUSTOMER DRAWING	SCALE	SHEET	REV
4 PLC ± 0.3			3:1	3 OF 3	J1
ANGLES ± 3'					
FINISH					