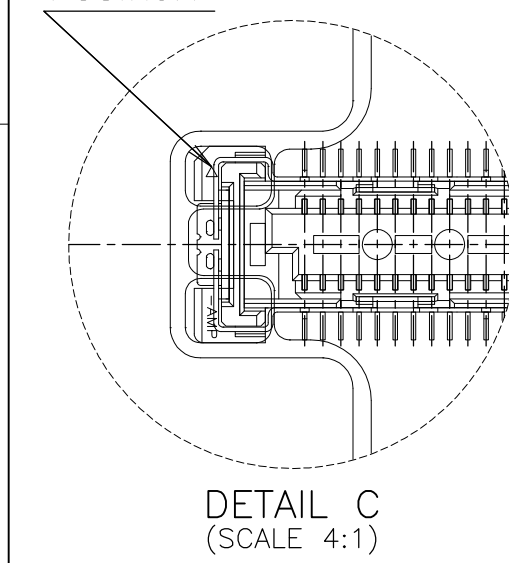
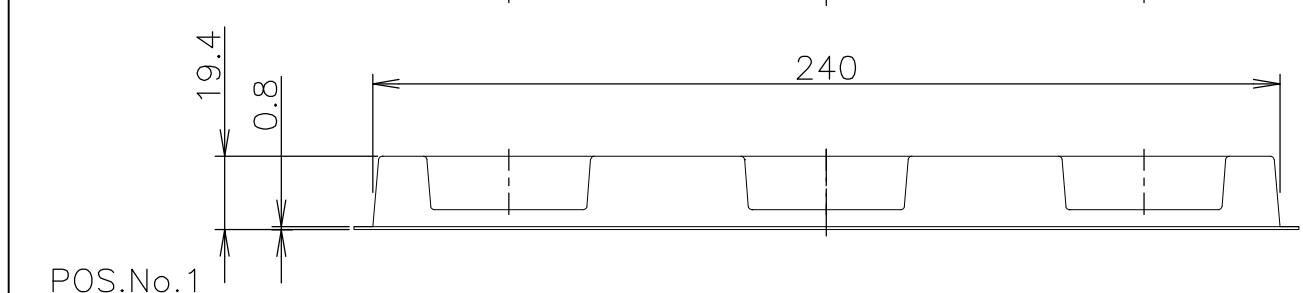
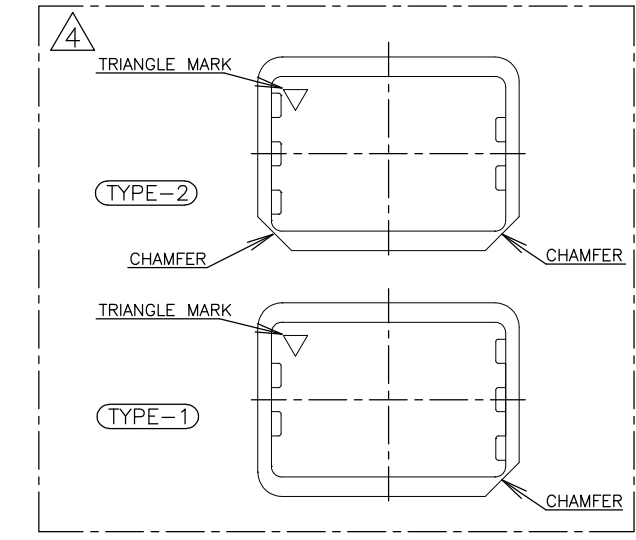
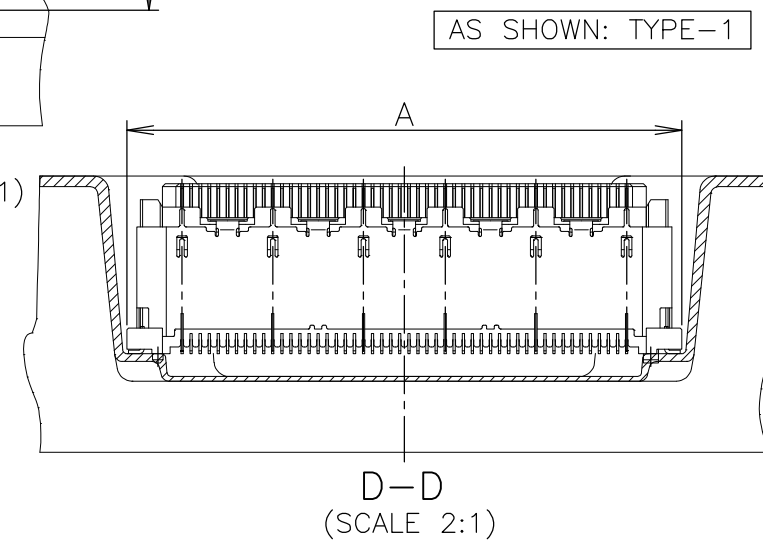
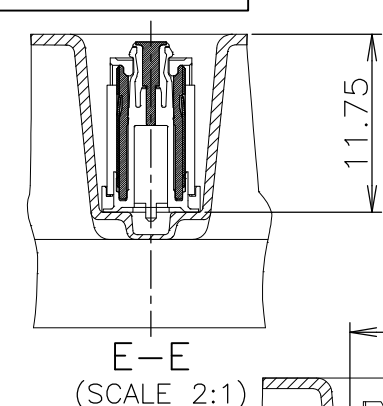
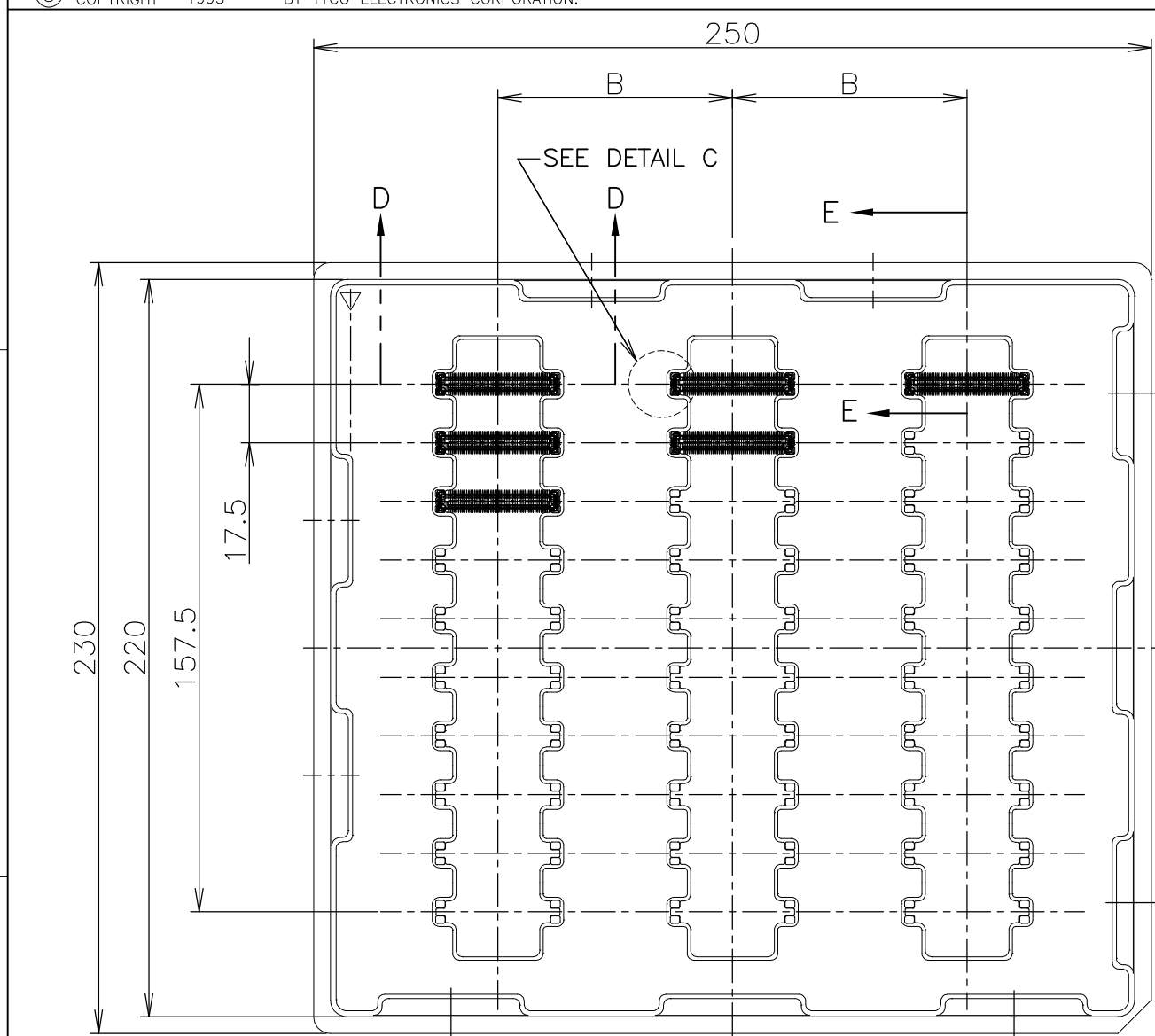


THIS DRAWING IS UNPUBLISHED. RELEASED FOR PUBLICATION OCT, 1995.
 © COPYRIGHT 1995 BY TYCO ELECTRONICS CORPORATION. ALL RIGHTS RESERVED.

LOC	DIST	REVISIONS					
J		P	LTR	DESCRIPTION	DATE	DWN	APVD
		D		REVISED ECR-08-000333	01FEB08	T.T	T.F
		D1		REVISED PER ECO-09-021510	02SEP09	KK	AEG



△ TRAY TYPE-1 AND TYPE-2 MUST BE
 PAILED UP BY TURNS.
 (REFER TO PACKING SPECIFICATIONS)

GENERAL TOLERANCE
 一般公差

10 ≥	±0.2
30 ≥	>10: ±0.25
100 ≥	>30: ±0.3
ANGLES: ±3°	

SEALANT	TOOLING STATUS	ROW	QTY	B	A	POS.	TRAY P/N	PART NO.
OBSOLETE △5	AVAILABLE	↑	↑	↑	48.7	140	7-912063-6	6-↑ -0
	NOT AVAILABLE	↓	↓	↓	42.7	120	7-912067-1	5- -9
	↑	↓	↓	↓	36.7	100	7-↑ -0	5- -8
	↓	3	30	70	33.7	90	6-↑ -9	5- -7
	↑	5	50	43	30.7	80	6-↑ -8	5- -6
	↓	↑	↑	↑	27.7	70	6-↑ -7	5- -5
	↑	↓	↓	↓	24.7	60	6-↑ -6	5- -4
	↓	↓	↓	↓	21.7	50	6-↑ -5	5- -3
	↑	↓	↓	↓	18.7	40	6-↑ -4	5- -2
	NOT AVAILABLE	5	50	43	15.7	30	6-912067-3	5-316564-1
OBSOLETE △5	AVAILABLE	↑	↑	↑	48.7	140	7-912063-6	1-↑ -0
	NOT AVAILABLE	↓	↓	↓	42.7	120	7-912067-1	-9
	↑	↓	↓	↓	36.7	100	7-↑ -0	-8
	↓	3	30	70	33.7	90	6-↑ -9	-7
	↑	5	50	43	30.7	80	6-↑ -8	-6
	↓	↑	↑	↑	27.7	70	6-↑ -7	-5
	↑	↓	↓	↓	24.7	60	6-↑ -6	-4
	↓	↓	↓	↓	21.7	50	6-↑ -5	-3
	↑	↓	↓	↓	18.7	40	6-↑ -4	-2
	NOT AVAILABLE	5	50	43	15.7	30	6-912067-3	-316564-1

THIS DRAWING IS A CONTROLLED DOCUMENT.

DWN T.KUSUHARA 300CT95	Tyco Electronics Corporation Kawasaki, Japan
CHK I.ENOMOTO 310CT95	
APVD I.ENOMOTO 310CT95	NAME 名称
PRODUCT SPEC 製品規格 108-5468	SOFT TRAY ASSY FH 0.6BTB CONNECTOR REC 12H W/G-CONT
APPLICATION SPEC 取付適用規格	SIZE A3
WEIGHT	CAGE CODE 00779
MATERIAL 材料	FINISH 仕上
RESTRICTED TO	SCALE 尺度 1:2
CUSTOMER DRAWING	SHEET 1 OF 3
	REV D1

4

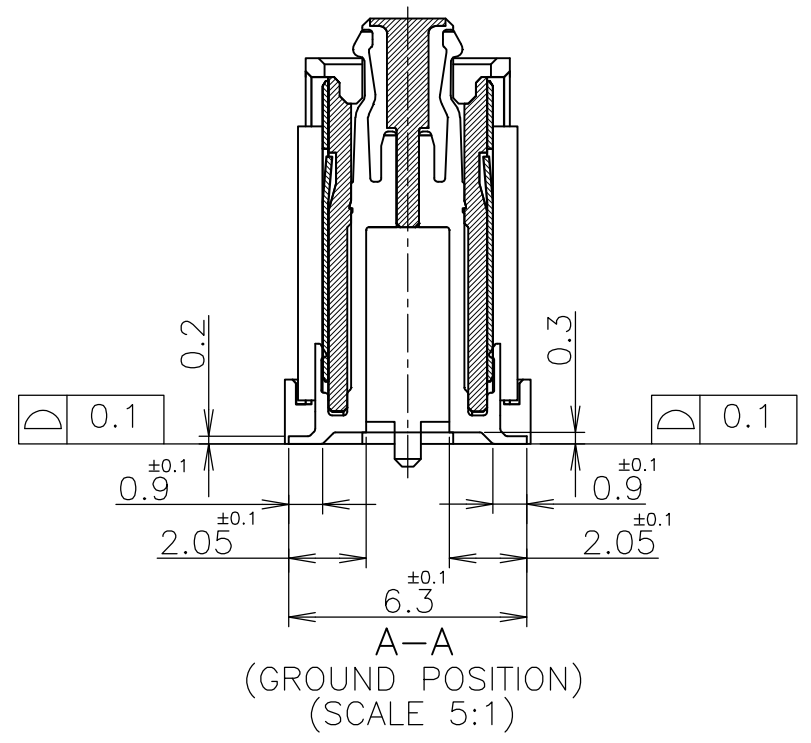
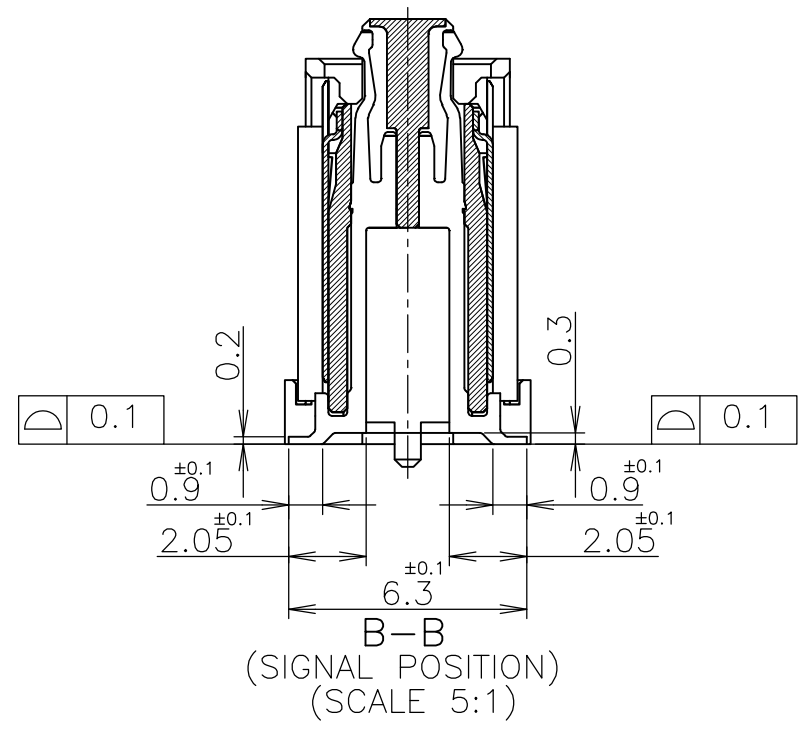
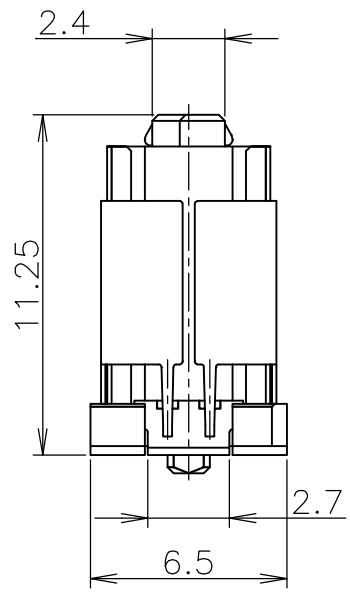
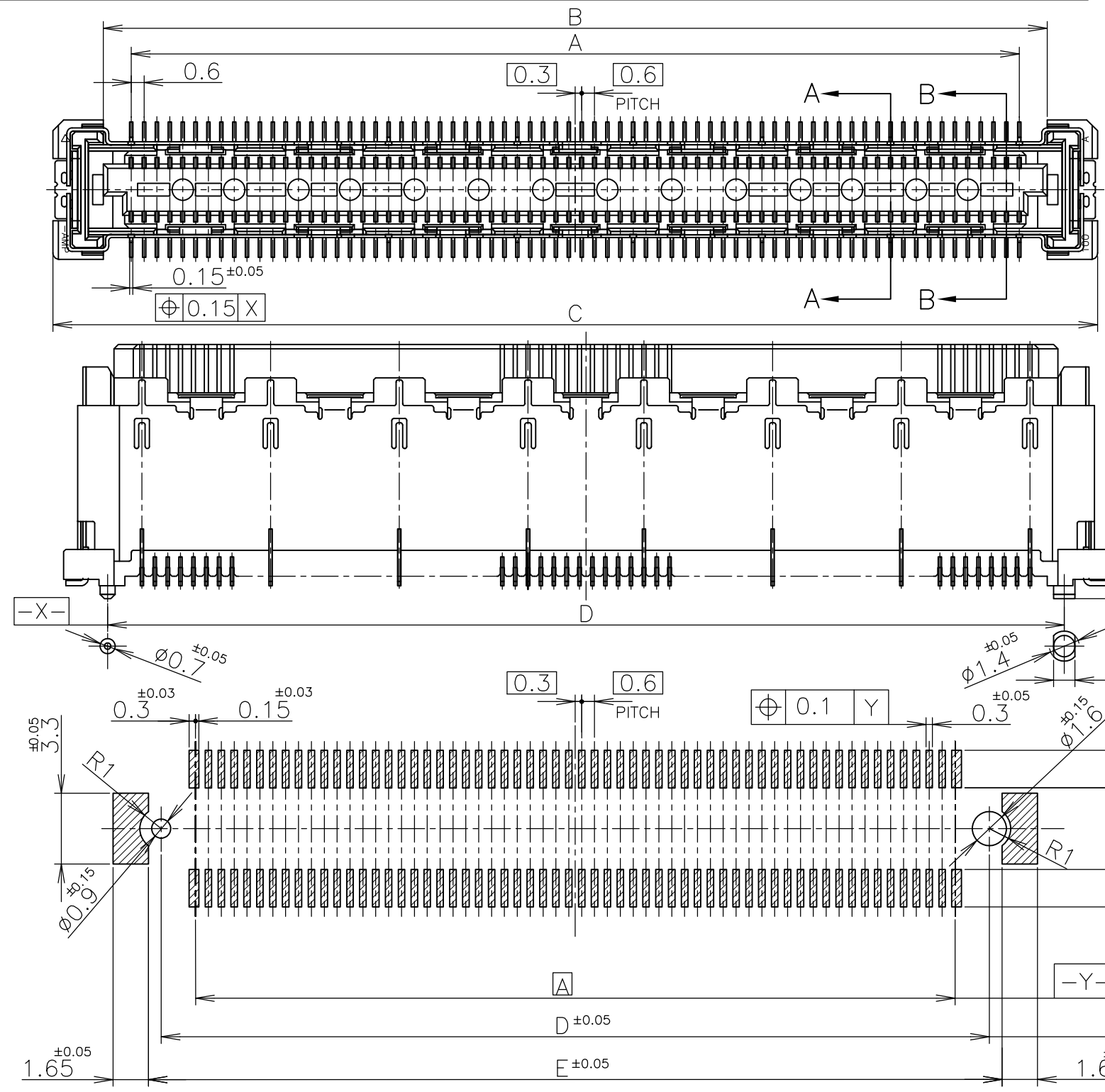
3

2

1

THIS DRAWING IS UNPUBLISHED. RELEASED FOR PUBLICATION OCT., 1995.
 © COPYRIGHT 1995 BY TYCO ELECTRONICS CORPORATION. ALL RIGHTS RESERVED.

LOC	DIST	REVISIONS			DATE	DWN	APVD
		P	LTR	DESCRIPTION			
J				SEE SHEET 1	-	-	-



AVAILABLE	51.8	50.6	54.7	50	47.4	160
AVAILABLE	45.8	44.6	48.7	44	41.4	140
NOT AVAILABLE	39.8	38.6	42.7	38	35.4	120
	33.8	32.6	36.7	32	29.4	100
	30.8	29.6	33.7	29	26.4	90
	27.8	26.6	30.7	26	23.4	80
	24.8	23.6	27.7	23	20.4	70
	21.8	20.6	24.7	20	17.4	60
	19.8	17.6	21.7	17	14.4	50
	15.8	14.6	18.7	14	11.4	40
NOT AVAILABLE	12.8	11.6	15.7	11	8.4	30
TOOLING STATUS	E	D	C	B	A	POS

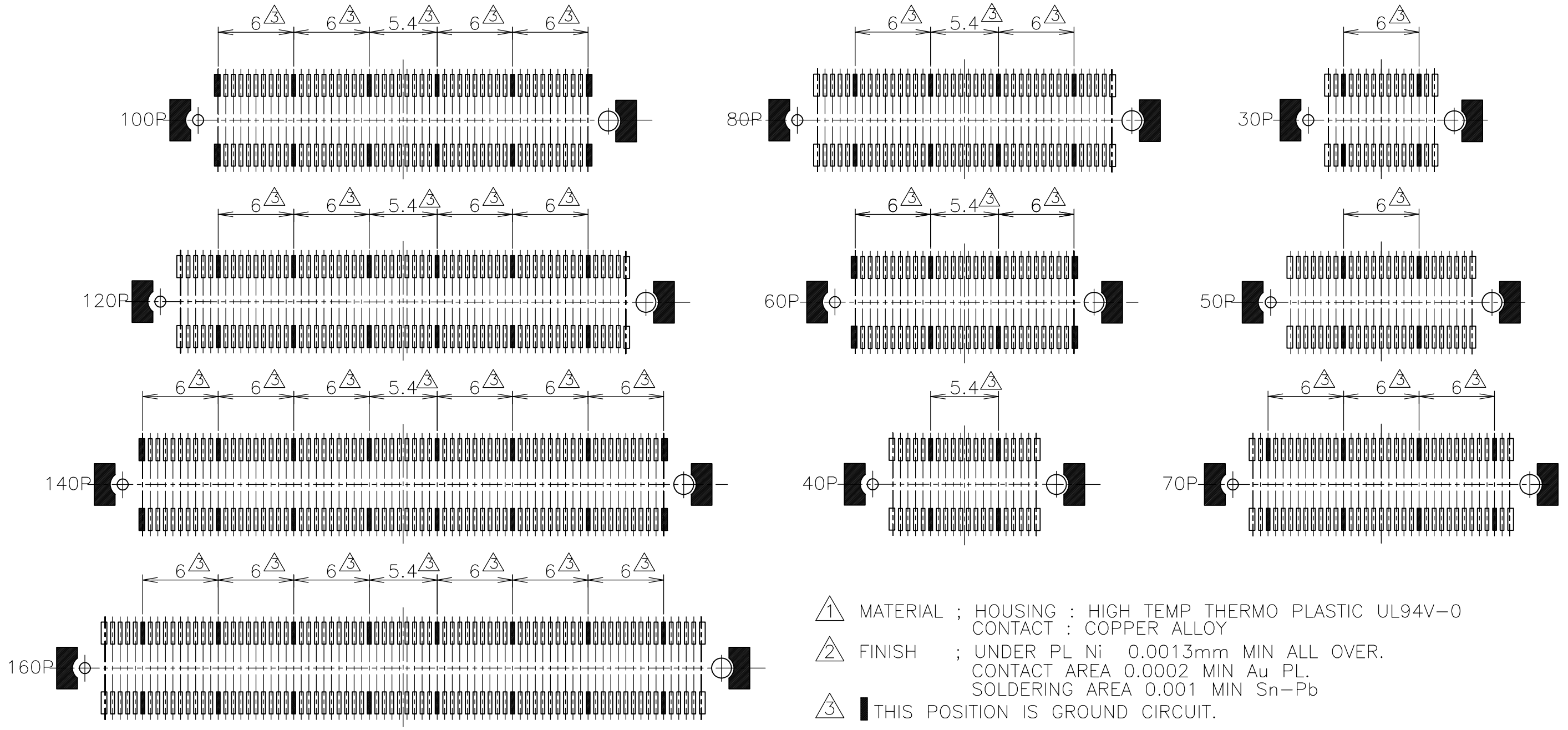
REFERENCE P.C.BOARD LAYOUT

GENERAL TOLERANCE
 一般公差
 10 ≥ ±0.2
 30 ≥ >10: ±0.25
 100 ≥ >30: ±0.3
 ANGLES: ±3°

THIS DRAWING IS A CONTROLLED DOCUMENT.		DWN	Tyco Electronics Corporation Kawasaki, Japan			
DIMENSIONS: 単位: 耗 mm		CHK	NAME 名称			
TOLERANCES UNLESS OTHERWISE SPECIFIED: 一般公差		APVD	SOFT TRAY ASSY FH 0.6BTB CONNECTOR REC 12H W/G-CONT			
0 PLC ± - 1 PLC ± - 2 PLC ± - 3 PLC ± - 4 PLC ± - ANGLES ± -		PRODUCT SPEC 製品規格	SIZE	CAGE CODE	DRAWING NO 番号	RESTRICTED TO
MATERIAL 材料		APPLICATION SPEC 取付適用規格	A3	00779	G-316564	
FINISH 仕上		WEIGHT	CUSTOMER DRAWING		SCALE 尺度 4:1	SHEET 2 OF 3
					REV D1	

THIS DRAWING IS UNPUBLISHED. RELEASED FOR PUBLICATION OCT, 1995.
 © COPYRIGHT 1995 BY TYCO ELECTRONICS CORPORATION. ALL RIGHTS RESERVED.

LOC	DIST	REVISIONS		
J		変更	DATE	DWN
P	LTR	DESCRIPTION	APVD	
		SEE SHEET 1		



- ① MATERIAL ; HOUSING : HIGH TEMP THERMO PLASTIC UL94V-0
CONTACT : COPPER ALLOY
- ② FINISH ; UNDER PL Ni 0.0013mm MIN ALL OVER.
CONTACT AREA 0.0002 MIN Au PL.
SOLDERING AREA 0.001 MIN Sn-Pb
- ③ THIS POSITION IS GROUND CIRCUIT.
- ⑤ OBSOLETE PARTS: OBSOLETE CIS STREAMLINING PER D.RENAUD/D.SINISI

GENERAL TOLERANCE
 一般公差
 10 ≥ ±0.2
 30 ≥ >10: ±0.25
 100 ≥ >30: ±0.3
 ANGLES: ±3°

THIS DRAWING IS A CONTROLLED DOCUMENT.		DWN		Tyco Electronics Corporation Kawasaki, Japan															
DIMENSIONS: 単位: 耗 mm		TOLERANCES UNLESS OTHERWISE SPECIFIED: 一般公差		NAME 名称															
<table border="1"> <tr><td>0 PLC</td><td>± -</td></tr> <tr><td>1 PLC</td><td>± -</td></tr> <tr><td>2 PLC</td><td>± -</td></tr> <tr><td>3 PLC</td><td>± -</td></tr> <tr><td>4 PLC</td><td>± -</td></tr> <tr><td>ANGLES</td><td>± -</td></tr> </table>		0 PLC	± -	1 PLC	± -	2 PLC	± -	3 PLC	± -	4 PLC	± -	ANGLES	± -	<table border="1"> <tr><td>FINISH 仕上</td><td>②</td></tr> </table>		FINISH 仕上	②	SOFT TRAY ASSY FH 0.6BTB CONNECTOR REC 12H W/G-CONT	
0 PLC	± -																		
1 PLC	± -																		
2 PLC	± -																		
3 PLC	± -																		
4 PLC	± -																		
ANGLES	± -																		
FINISH 仕上	②																		
MATERIAL 材料		①		SIZE CAGE CODE DRAWING NO 番号															
				A3 00779 G-316564															
				RESTRICTED TO															
		CUSTOMER DRAWING		SCALE 3:1 SHEET 3 OF 3 REV D1															