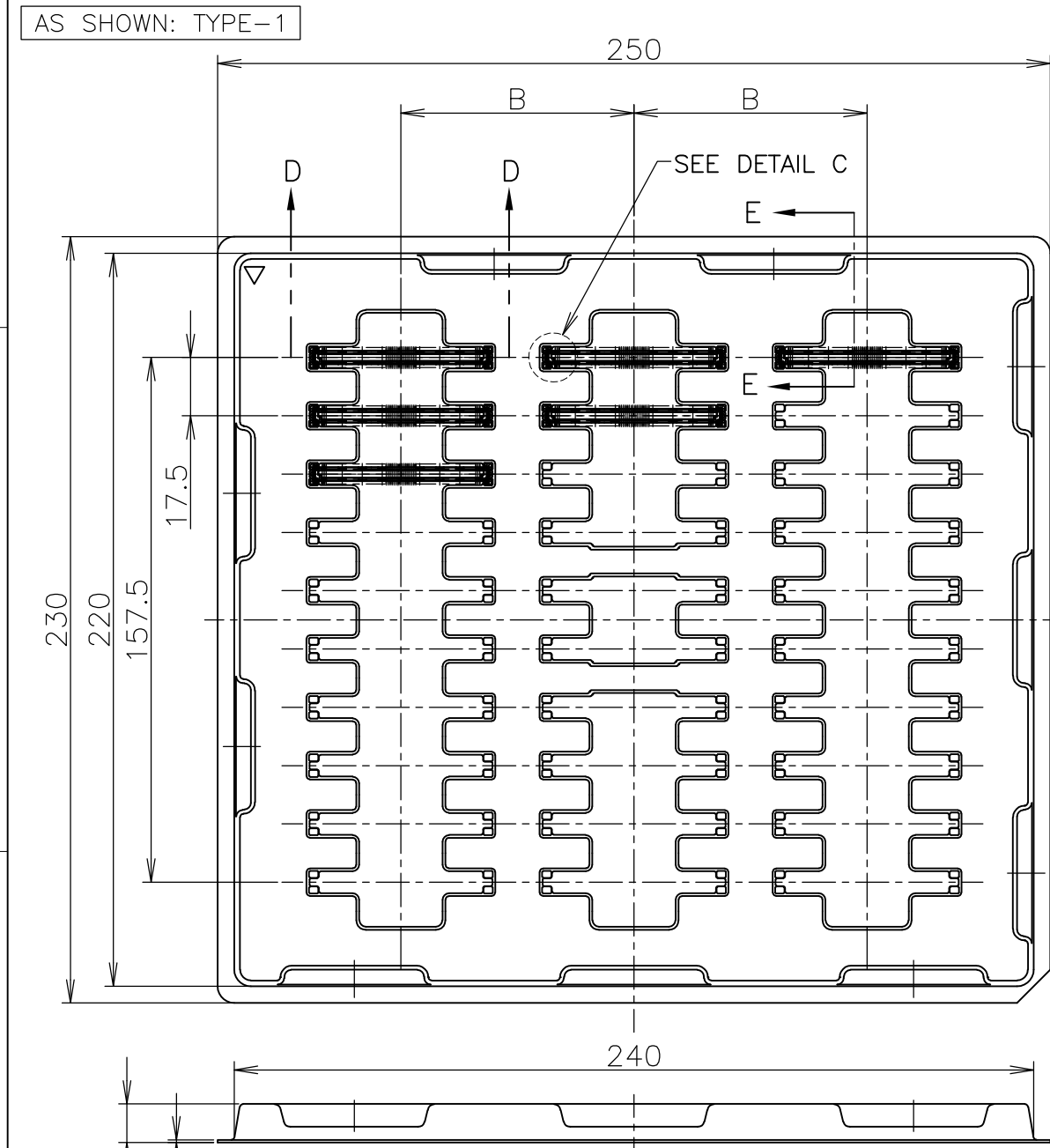
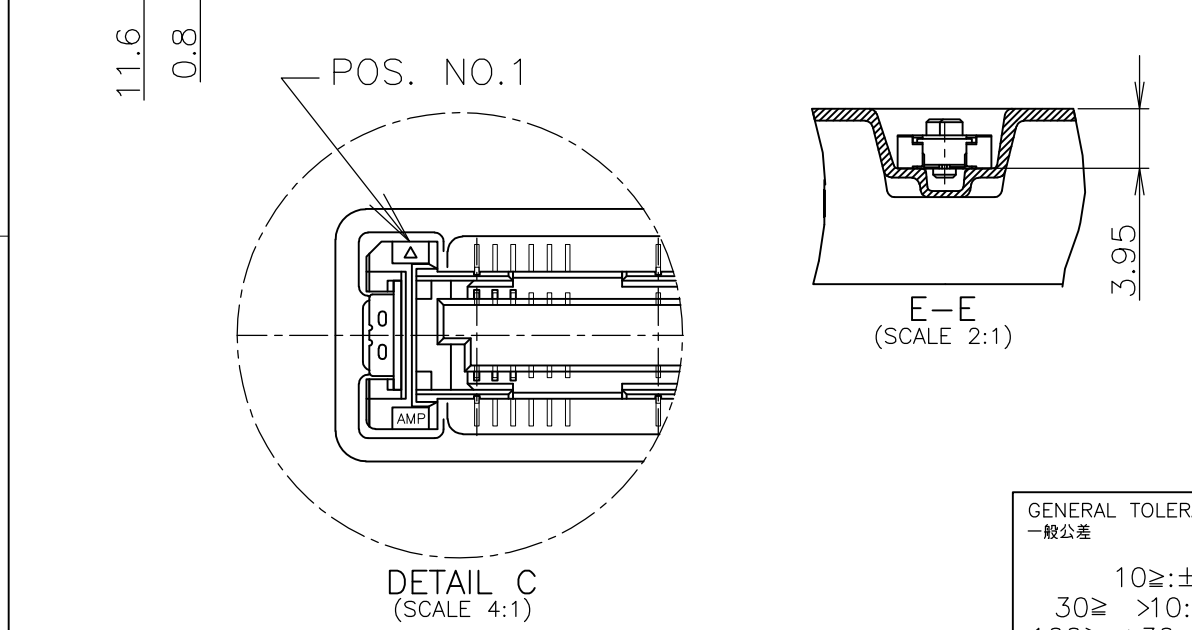
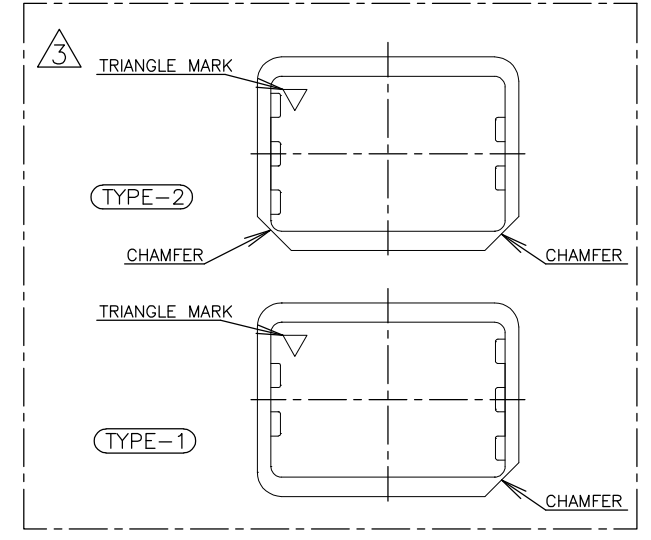
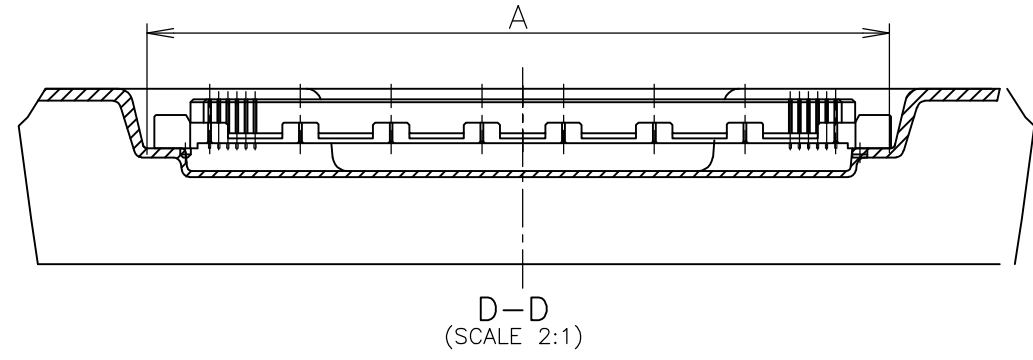


THIS DRAWING IS UNPUBLISHED. RELEASED FOR PUBLICATION MAY, 1995.
 © COPYRIGHT 1995 BY TYCO ELECTRONICS CORPORATION. ALL RIGHTS RESERVED.

LOC	DIST	REVISIONS		
J		变更		
P	LTR	DESCRIPTION	DATE	DWN
	B	REVISED ECR-08-000340	01FEB08	T.T
				APVD
				T.F



△ TRAY TYPE-1 AND TYPE-2 MUST BE
 PILED UP BY TURNS.
 (REFER TO PACKING SPECIFICATIONS)



HOUSING COLOR	SEALANT	TOOLING STATUS	ROW	QTY	B	A	POS.	TRAY P/N	PART NO.	
BLACK	SEALANT	AVAILABLE	3	30	70	48.7	140	912063-8	8-5316136-0	
		NOT AVAILABLE	↑	↑	↑	54.7	160	912063-9	6-5316136-1	
		↑				48.7	140	912063-8	6-↑-0	
		↓				42.7	120	9-912066-7	5-↑-9	
		↓				36.7	100	8-912066-2	5-↑-8	
		↓	3	30	70	33.7	90	9-912066-6	5-↑-7	
	NATURAL	NON SEALANT	↓	5	50	43	30.7	80	912067-3	5-↑-6
			↑				27.7	70	912063-1	5-↑-5
			↓				24.7	60	9-912066-5	5-↑-4
			↓				21.7	50	9-912062-9	5-↑-3
			↓				18.7	40	9-912066-4	5-↑-2
			↓	5	50	43	15.7	30	9-912066-3	5-5316136-1
NATURAL	NON SEALANT	AVAILABLE	3	30	70	54.7	160	912063-9	1-5316136-1	
		AVAILABLE	↑	↑	↑	48.7	140	912063-8	1-↑-0	
		NOT AVAILABLE	↓	↓	↓	42.7	120	9-912066-7	↑-9	
		NOT AVAILABLE	↓	↓	↓	36.7	100	8-912066-2	↑-8	
		NOT AVAILABLE	3	30	70	33.7	90	9-912066-6	↑-7	
		NOT AVAILABLE	5	50	43	30.7	80	912067-3	↑-6	
	NON SEALANT	NON SEALANT	AVAILABLE	↑	↑	↑	27.7	70	912063-1	↑-5
			NOT AVAILABLE				24.7	60	9-912066-5	↑-4
			AVAILABLE				21.7	50	9-912062-9	↑-3
			NOT AVAILABLE	↓	↓	↓	18.7	40	9-912066-4	↑-2
			NOT AVAILABLE	5	50	43	15.7	30	9-912066-3	5316136-1
			NOT AVAILABLE	↓	↓	↓	15.7	30	9-912066-3	5316136-1

GENERAL TOLERANCE
 一般公差

10 ≥	±0.2
30 ≥	>10: ±0.25
100 ≥	>30: ±0.3
ANGLES: ±3°	

THIS DRAWING IS A CONTROLLED DOCUMENT.

DWN	HAWKING HE	21DEC04
CHK	STEVEN YAO	21DEC04
APVD	I.ENOMOTO	21DEC04
NAME	I.ENOMOTO	
PRODUCT SPEC	製品規格	
APPLICATION SPEC	取付適用規格	
WEIGHT	114-5255	

Tyco Electronics Corporation
 Kawasaki, Japan

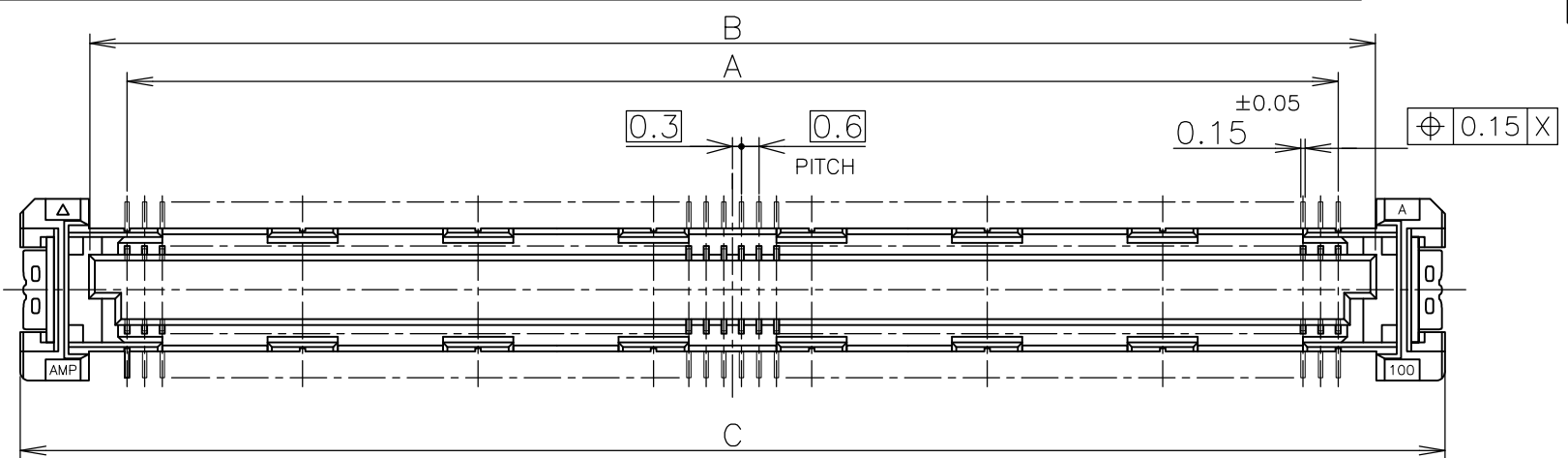
TRAY ASSY
 FH 0.6BTB CONNECTOR
 REC 4H STD

SIZE	CAGE CODE	DRAWING NO	RESTRICTED TO
A3	00779	G-5316136	

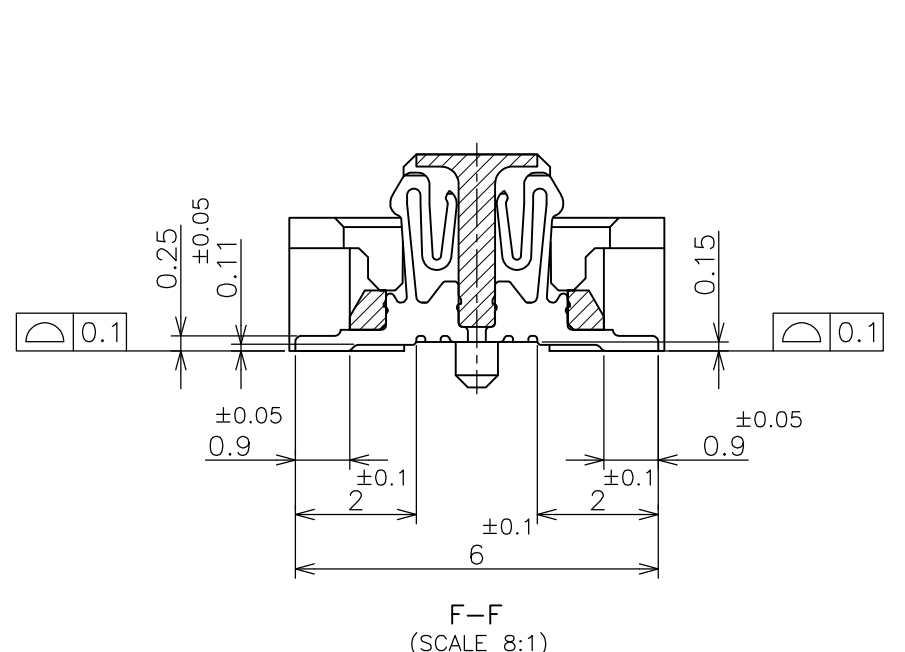
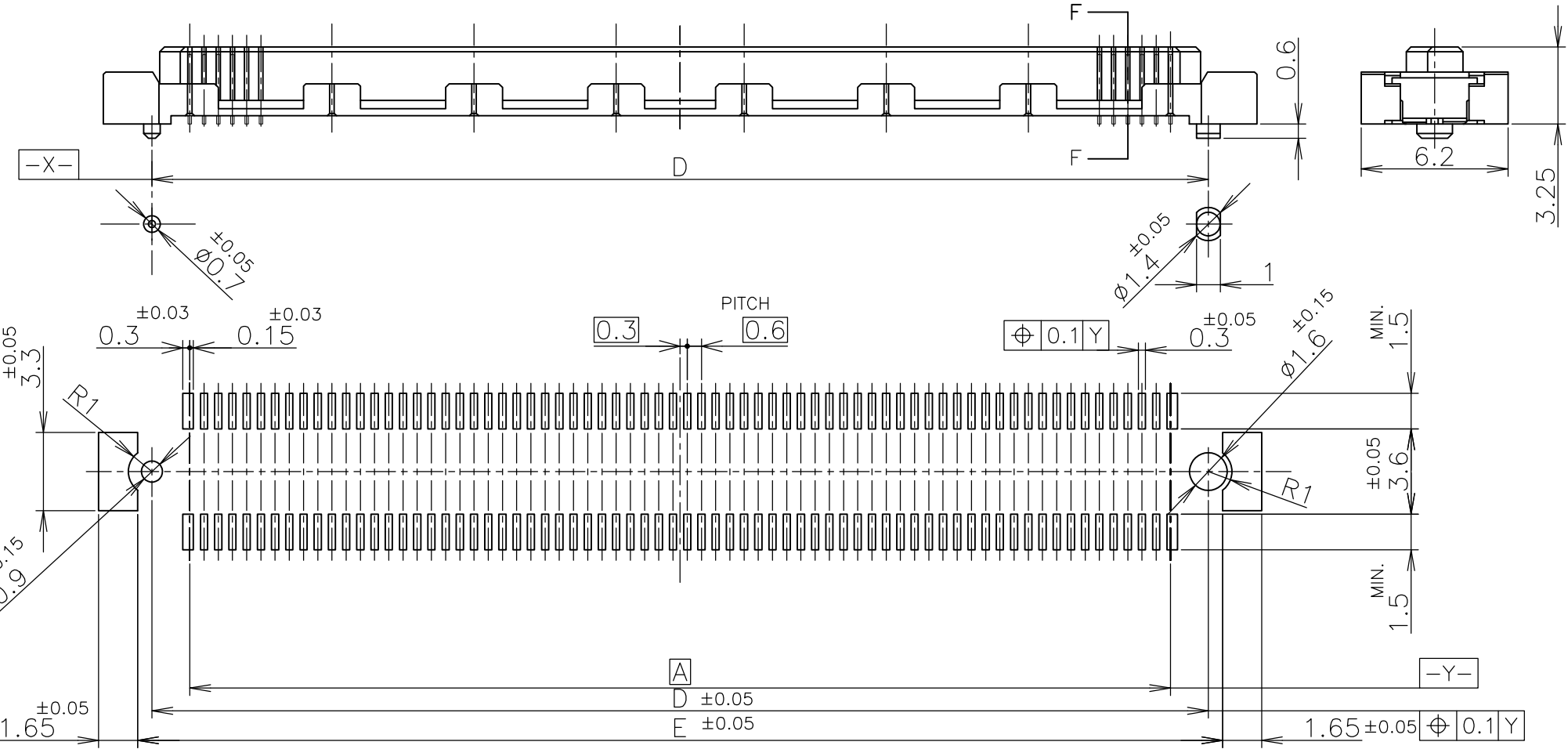
CUSTOMER DRAWING SCALE 1:2 SHEET 1 OF 2 REV B

THIS DRAWING IS UNPUBLISHED. RELEASED FOR PUBLICATION MAY, 1995.
 © COPYRIGHT 1995 BY TYCO ELECTRONICS CORPORATION. ALL RIGHTS RESERVED.

LOC	DIST	REVISIONS		
J		P	LTR	DESCRIPTION
				DATE
				DWN
				APVD
		SEE SHEET 1		



△ MATERIAL : HOUSING : HIGH TEMP THERMO PLASTIC UL94V-0
 CONTACT : COPPER ALLOY
 △ FINISH : UNDER PL Ni 0.0013mm MIN ALL OVER.
 CONTACT AREA 0.0002 MIN Au PL.
 SOLDERING AREA 0.00005 MIN Au PL.



REFERENCE P.C. BOARD LAYOUT

AVAILABLE	51.8	50.6	54.7	50	47.4	160
AVAILABLE	45.8	44.6	48.7	44	41.4	140
NOT AVAILABLE	39.8	38.6	42.7	38	35.4	120
	33.8	32.6	36.7	32	29.4	100
NOT AVAILABLE	30.8	29.6	33.7	29	26.4	90
AVAILABLE	27.8	26.6	30.7	26	23.4	80
AVAILABLE	24.8	23.6	27.7	23	20.4	70
NOT AVAILABLE	21.8	20.6	24.7	20	17.4	60
AVAILABLE	18.8	17.6	21.7	17	14.4	50
NOT AVAILABLE	15.8	14.6	18.7	14	11.4	40
NOT AVAILABLE	12.8	11.6	15.7	11	8.4	30
TOOLING STATUS	E	D	C	B	A	POS

THIS DRAWING IS A CONTROLLED DOCUMENT.

DIMENSIONS: 単位: 耗 mm	TOLERANCES UNLESS OTHERWISE SPECIFIED: 一般公差	DWN	Tyco Electronics Corporation Kawasaki, Japan		
	0 PLC ± 0.3	CHK	NAME 名称		
	1 PLC ± 0.3	APVD	PRODUCT SPEC 製品規格		
	2 PLC ± 0.3	PRODUCT SPEC	APPLICATION SPEC 取付適用規格		
	3 PLC ± 0.3	APPLICATION SPEC	SIZE	CAGE CODE	DRAWING NO 番号
	4 PLC ± 0.3	WEIGHT	A3	00779	G-5316136
	ANGLES ± 3'	CUSTOMER DRAWING	SCALE 尺度	SHEET	REV
MATERIAL 材料	FINISH 仕上	RESTRICTED TO			B