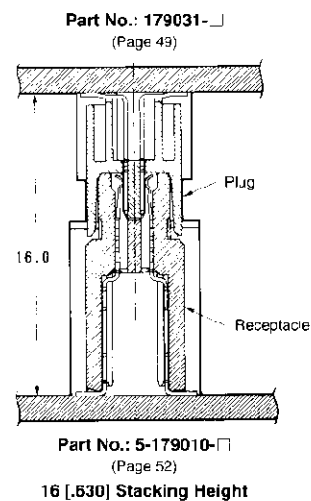
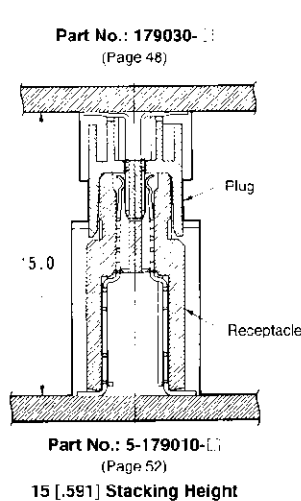
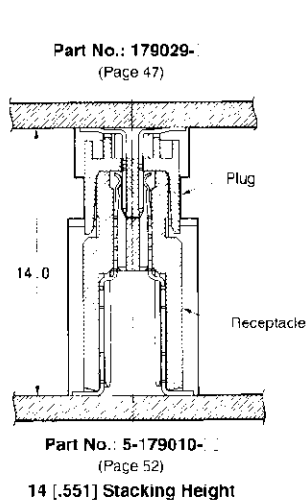
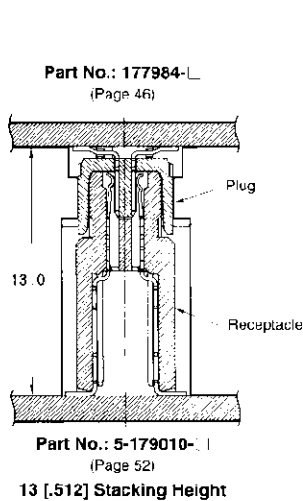
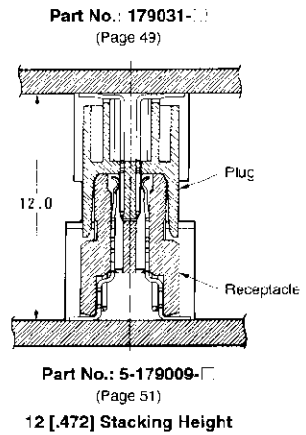
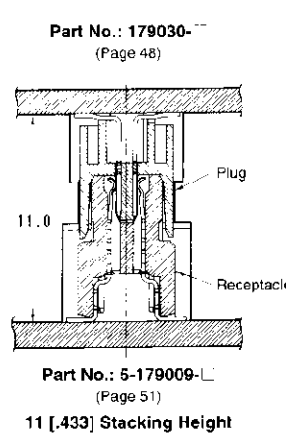
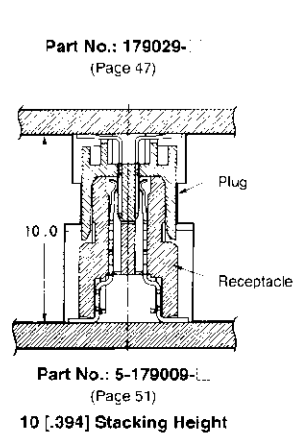
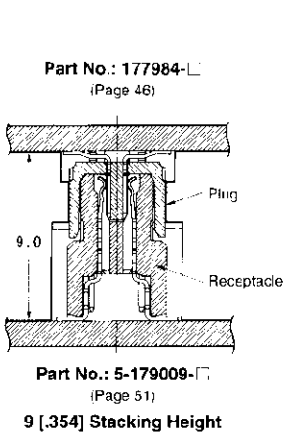
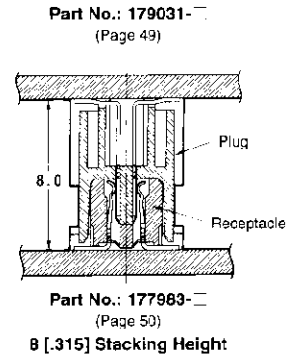
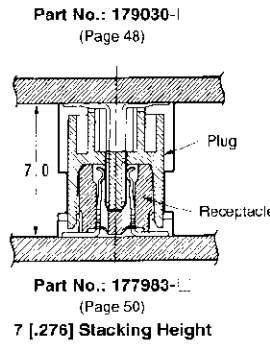
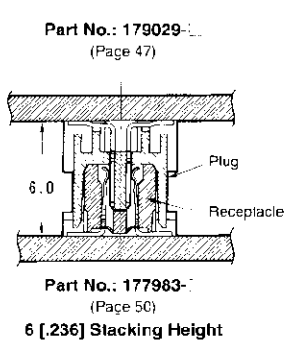
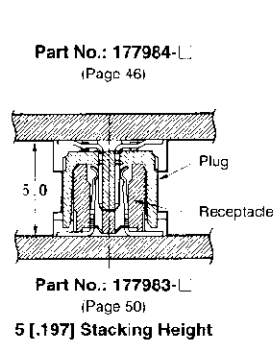




**0.8mm Free Height (FH) Connectors** (Continued)

**Board-to-Board Stacking Heights (By Plug/Receptacle Combinations)**



Note: For specific dash nos. of sizes 40 to 200 positions (in 20-position increments), see pages 46 thru 52.

0.8mm FH  
Connectors