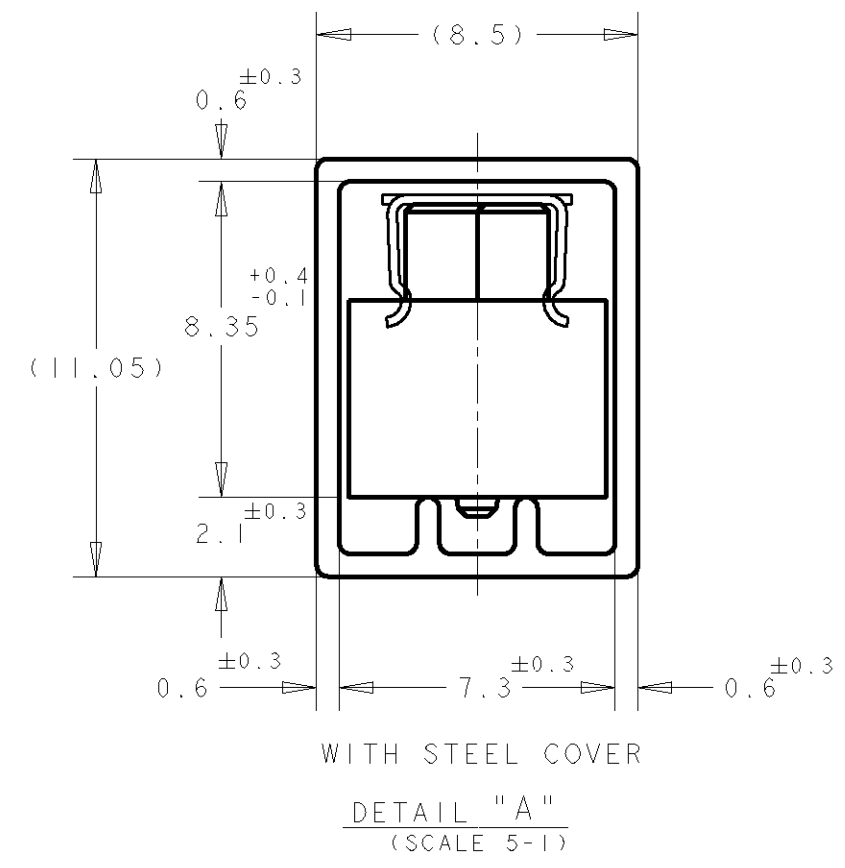
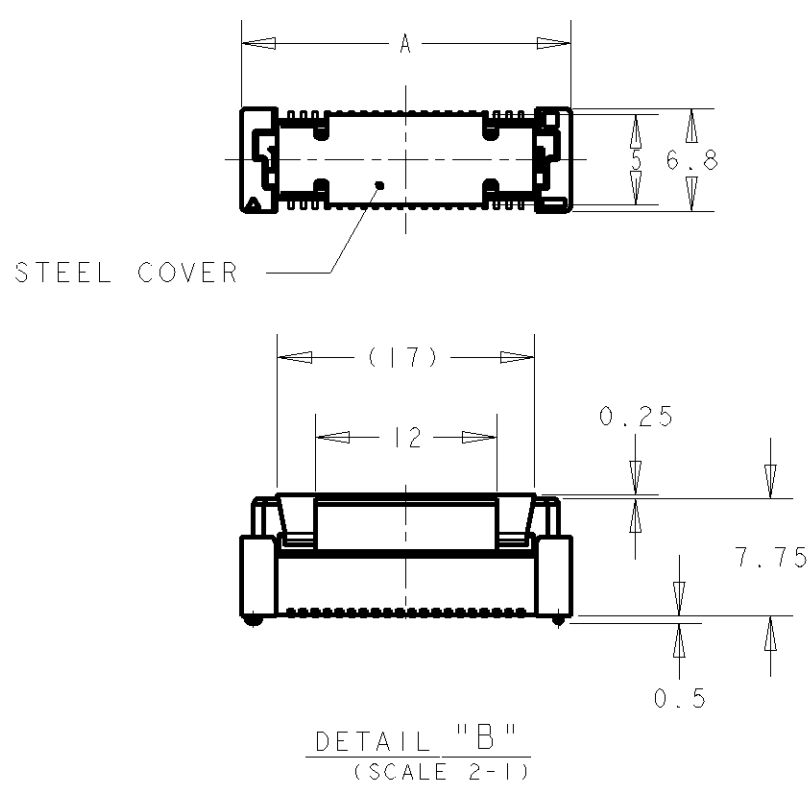
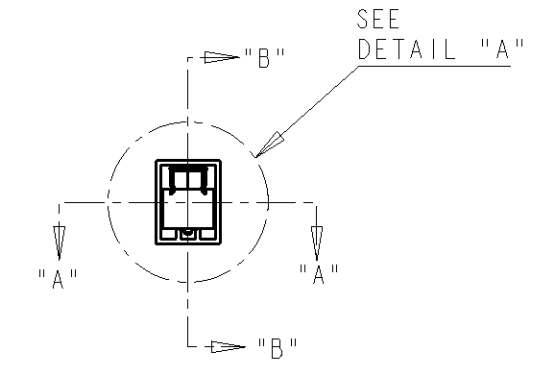
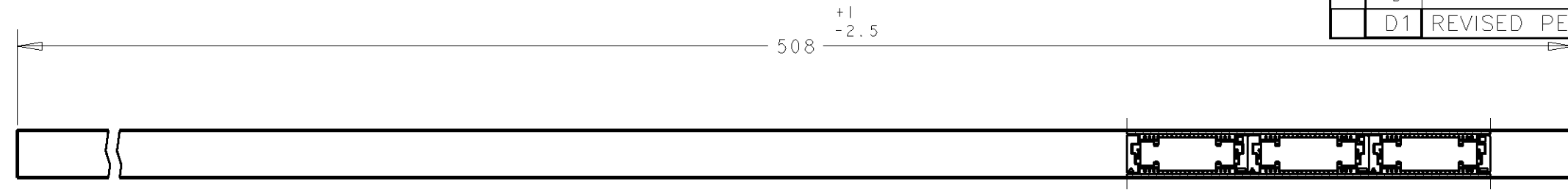


THIS DRAWING IS UNPUBLISHED. RELEASED FOR PUBLICATION .19 .
 © COPYRIGHT 19 BY AMP INCORPORATED. ALL RIGHTS RESERVED.

LOC	DIST	REVISIONS			
P	LTR	DESCRIPTION	DATE	DWN	APVD
DY	-	D	REVISED ECR-06-012089	19MAY2006	SYJ LSF
		D1	REVISED PER ECO-09-026346	26NOV09	KK AEG



REMARKS	QTY / TUBE	A	CONN P/N	POS.	PART NO.	
1	5	85.8	1- -0	200	8- -0	
	6	77.8	-9	180	7- -9	
	6	69.8	-8	160	7- -8	
	7	61.8	-6	140	7- -6	
	9	53.8	-5	120	7- -5	
	10	45.8	-4	100	7- -4	
	11	37.8	-3	80	7- -3	
	14	29.8	-2	60	7- -2	
	18	21.8	84613-1	40	7-179232-1	
	2	5	85.8	6- -0	200	6- -0
		6	77.8	5- -9	180	5- -9
		6	69.8	5- -8	160	5- -8
		7	61.8	5- -6	140	5- -6
		9	53.8	5- -5	120	3 5- -5
		10	45.8	5- -4	100	5- -4
		11	37.8	5- -3	80	5- -3
		14	29.8	5- -2	60	5- -2
		18	21.8	5-179009-1	40	5-179232-1

NOTE:
 1 30"u AU - SnPb PLATING
 2 AU FLASH - SnPb PLATING
 3 OBSOLETE PARTS: OBSOLETE CIS STREAMLINING PER D.RENAUD/D.SINISI

THIS DRAWING IS A CONTROLLED DOCUMENT FOR AMP INCORPORATED. IT IS SUBJECT TO CHANGE AND THE CONTROLLING ENGINEERING ORGANIZATION SHOULD BE CONTACTED FOR THE LATEST REVISION.

DWN T.KUSUHARA 24NOV93
 CHK I.ENOMOTO 24NOV93
 APVD ERIC TNG
 PRODUCT SPEC -
 APPLICATION SPEC -
 WEIGHT -
 CUSTOMER DRAWING

tyco Tyco Electronics (SINGAPORE) PTE. LTD.
Electronics

NAME REC ASS'Y 9H TYPE WITH STEEL COVER (TUBE PACK) FOR FH 0.8mm PITCH B-T-B CONNECTOR

SIZE A3 CAGE CODE 00779 DRAWING NO C-179232

SCALE | : | SHEET | OF | REV D1