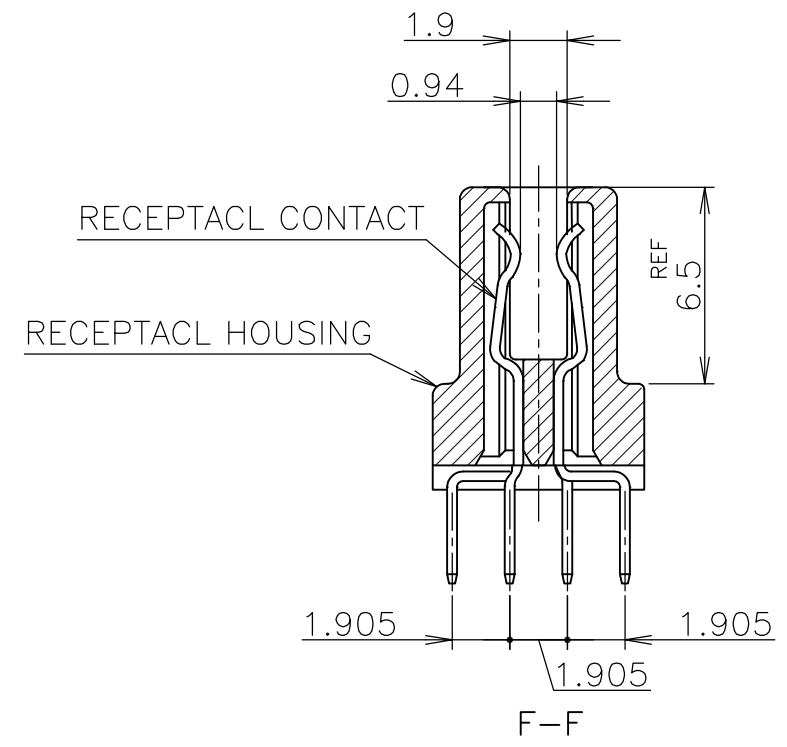
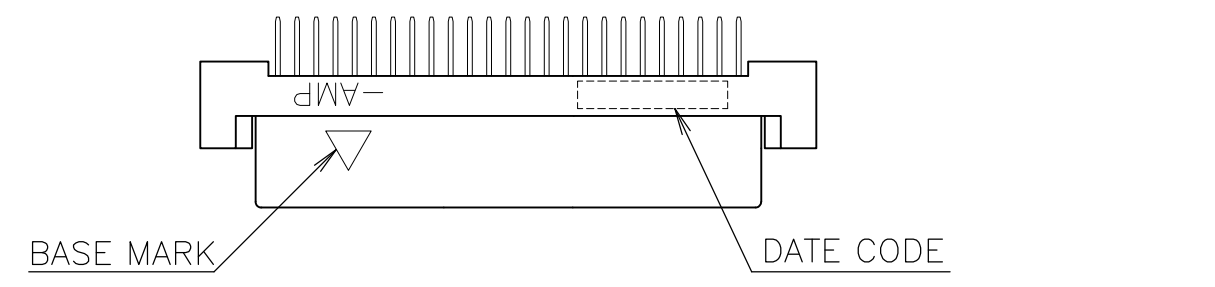
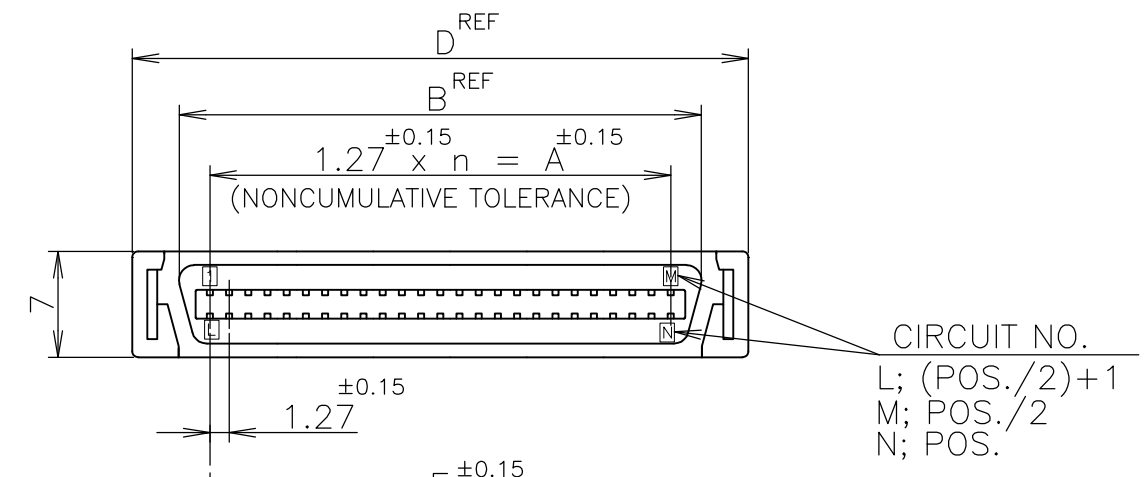


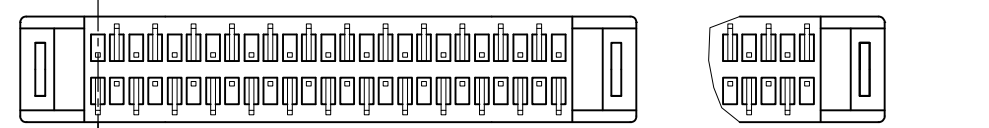
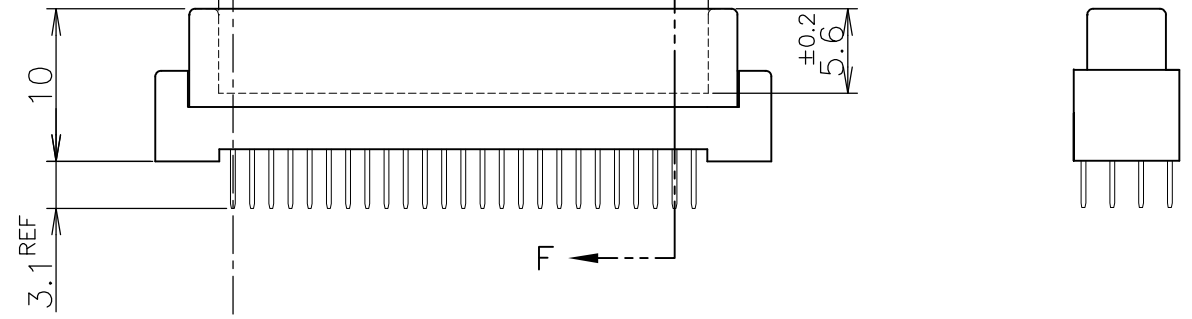
LOC		DIST		REVISIONS				
P	LTR	DESCRIPTION	DATE	DWN	APVD			
ES	00	REVISED ECR-08-014638	10JUN08	AZ	SY			



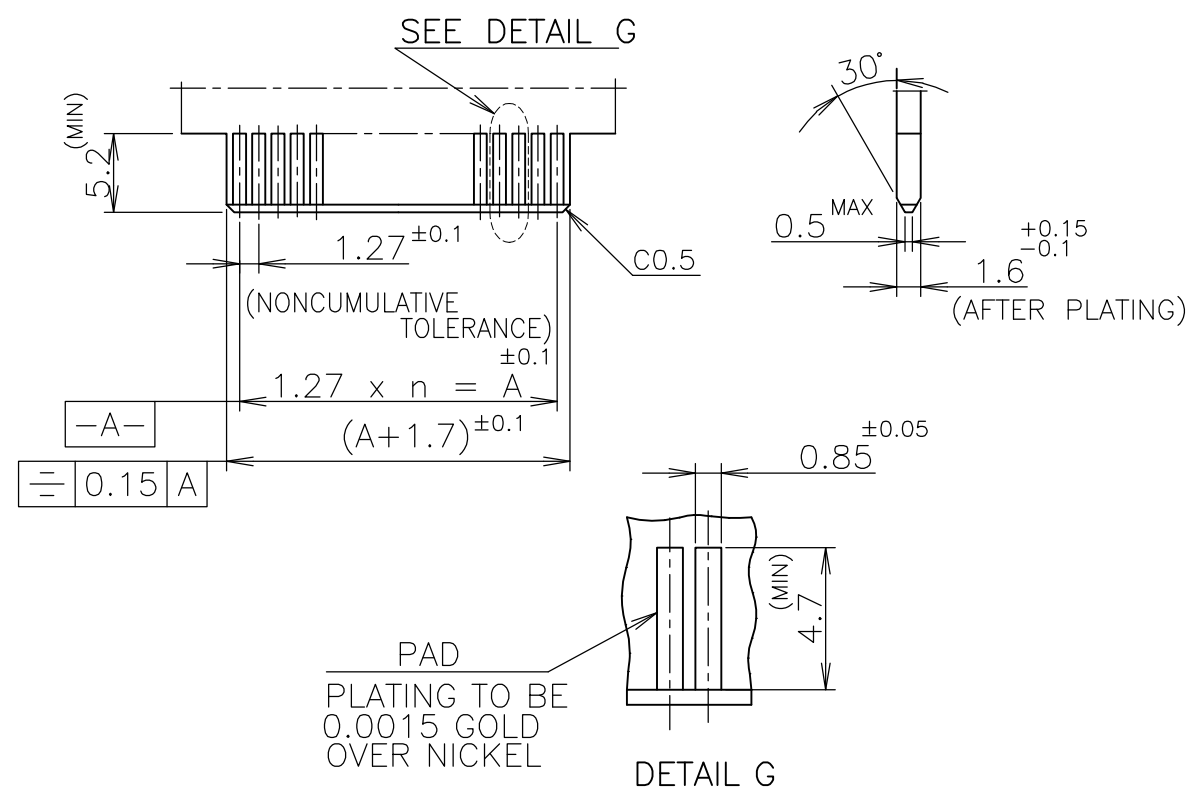
1 NUMBER "n" IS COUNTED FROM DATUM  
 (CIRCUIT NO.1 IS "AMP" MARK SIDE.)  
 MATERIAL: HOUSING, 66 NYLON (GF) UL 94V-0, BLACK.  
 CONTACT, PHOSPHOR BRONZE.  
 FINISH: Au AT CONTACT AREA (SEE TABLE), TIN AT TINE, OVER Ni.  
 P.C. BOARD THK MUST BE 1.6 ±0.15 FOR CARD EDGE CONNECTOR



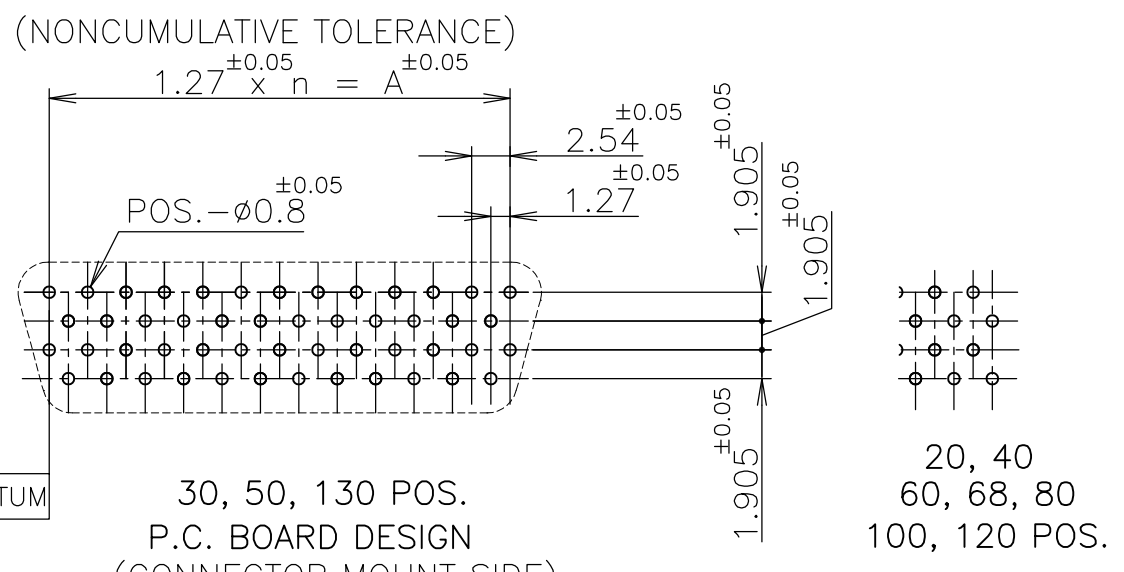
CIRCUIT NO.  
 L: (POS./2)+1  
 M: POS./2  
 N: POS.



30, 50, 130 POS.      20, 40, 60, 68, 80  
 100, 120 POS.



RECOMMENDED P.C BOARD DIMENSIONS.



6-	-2		130	64	81.28	86.82		93.90	83.18
6-	-1		120	59	74.93	80.47		87.55	76.83
6-	-0		100	49	62.23	67.77		74.85	64.13
5-	-9		80	39	49.53	55.07		62.15	51.43
5-	-8		68	33	41.91	47.45		54.53	43.81
5-	-7		60	29	36.83	42.37		49.45	38.73
5-	-6		50	24	30.48	36.02		43.10	32.38
5-	-5		40	19	24.13	29.67		36.75	26.03
5-	-3		30	14	17.78	23.32		30.40	19.68
5-	-1	0.00076	20	9	11.43	16.97		24.05	13.33
4-	-2		130	64	81.28	86.82		93.90	83.18
4-	-1		120	59	74.93	80.47		87.55	76.83
4-	-0		100	49	62.23	67.77		74.85	64.13
3-	-9		80	39	49.53	55.07		62.15	51.43
3-	-8		68	33	41.91	47.45		54.53	43.81
3-	-7		60	29	36.83	42.37		49.45	38.73
3-	-6		50	24	30.48	36.02		43.10	32.38
3-	-5		40	19	24.13	29.67		36.75	26.03
3-	-3		30	14	17.78	23.32		30.40	19.68
3-	-1	0.0005	20	9	11.43	16.97		24.05	13.33
1-	-2		130	64	81.28	86.82		93.90	83.18
1-	-1		120	59	74.93	80.47		87.55	76.83
1-	-0		100	49	62.23	67.77		74.85	64.13
	-9		80	39	49.53	55.07		62.15	51.43
	-8		68	33	41.91	47.45		54.53	43.81
	-7		60	29	36.83	42.37		49.45	38.73
	-6		50	24	30.48	36.02		43.10	32.38
	-5		40	19	24.13	29.67		36.75	26.03
	-3		30	14	17.78	23.32		30.40	19.68
			20	9	11.43	16.97		24.05	13.33
PART NO.		Au PLATE	POS.	n	A	B		D	E

THIS DRAWING IS A CONTROLLED DOCUMENT.

DWN: Julyee Zhu 20AUG2004  
 CHK: Steven Yao 20AUG2004  
 APVD: Ikuo Enomoto 20AUG2004

TOLERANCES UNLESS OTHERWISE SPECIFIED:  
 0 PLC ±  
 1 PLC ±  
 2 PLC ±  
 3 PLC ±  
 4 PLC ±  
 ANGLES ±

MATERIAL: FINISH:

NAME: AMP CHAMP .050 CONNECTOR (B-T-B) RECEPTACLE CONNECTOR (VERTICAL W/O RETENTION LEG)

108-60038  
 APPLICATION SPEC

SIZE: A2 CAGE CODE: 00779 DRAWING NO: C=5175613 RESTRICTED TO

SCALE: NTS SHEET 1 OF 1 REV A

LEAD FREE

GENERAL TOLERANCE  
 10 ≥ ±0.2  
 30 ≥ > 10: ±0.25  
 100 ≥ > 30: ±0.3  
 ANGLES: ±3°