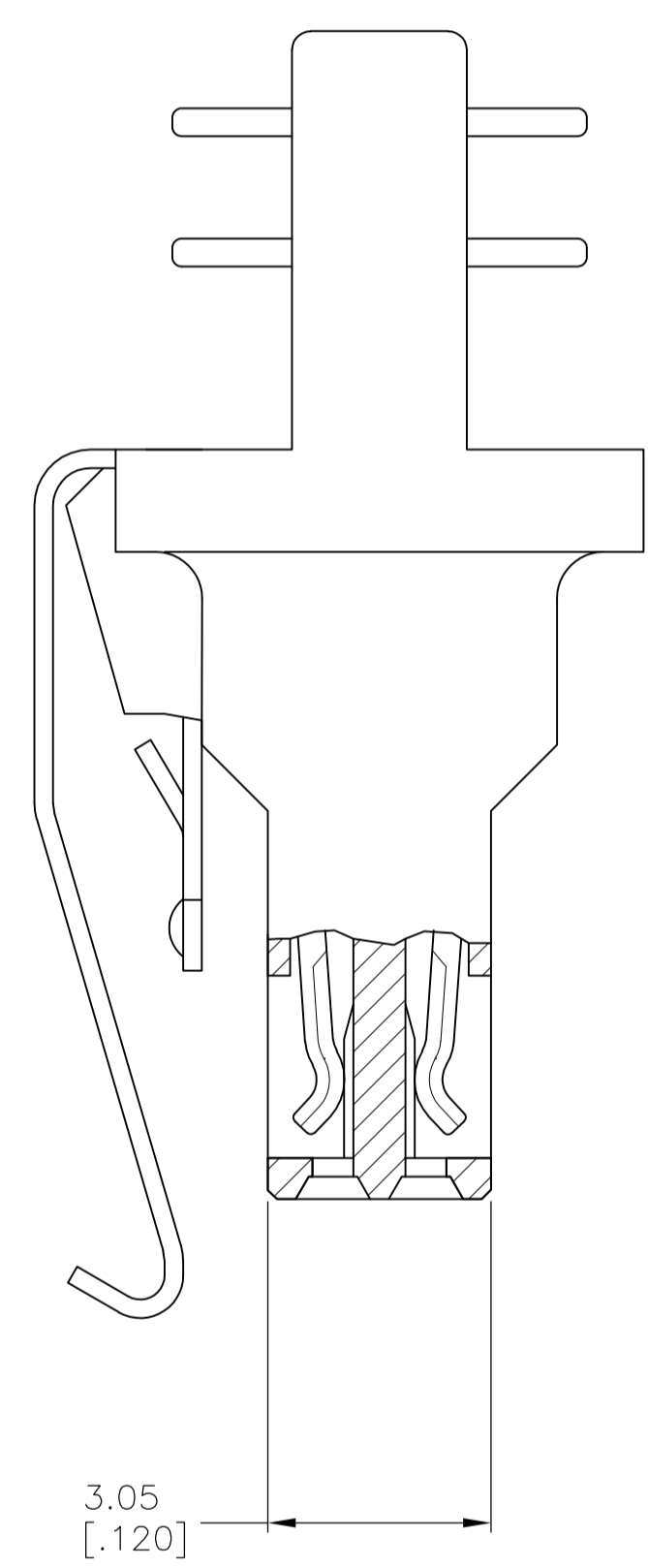
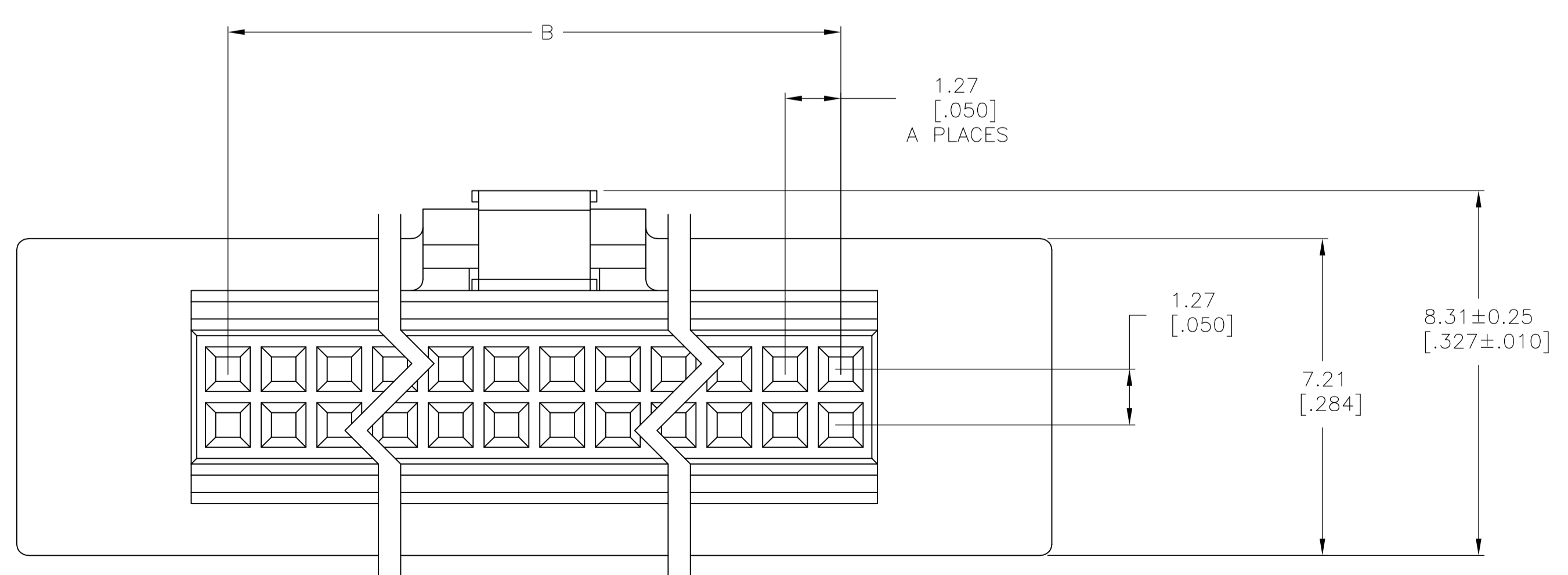
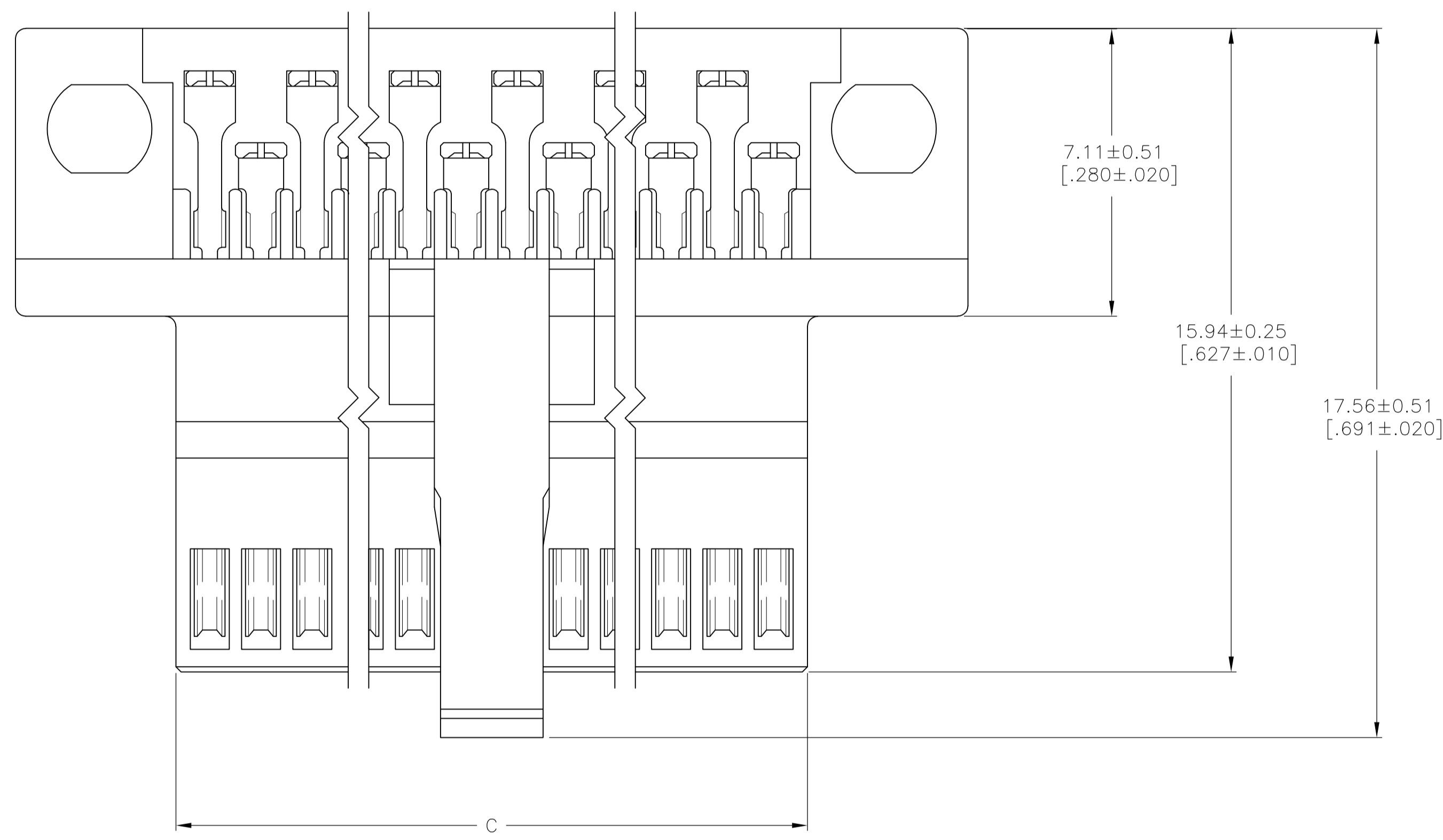
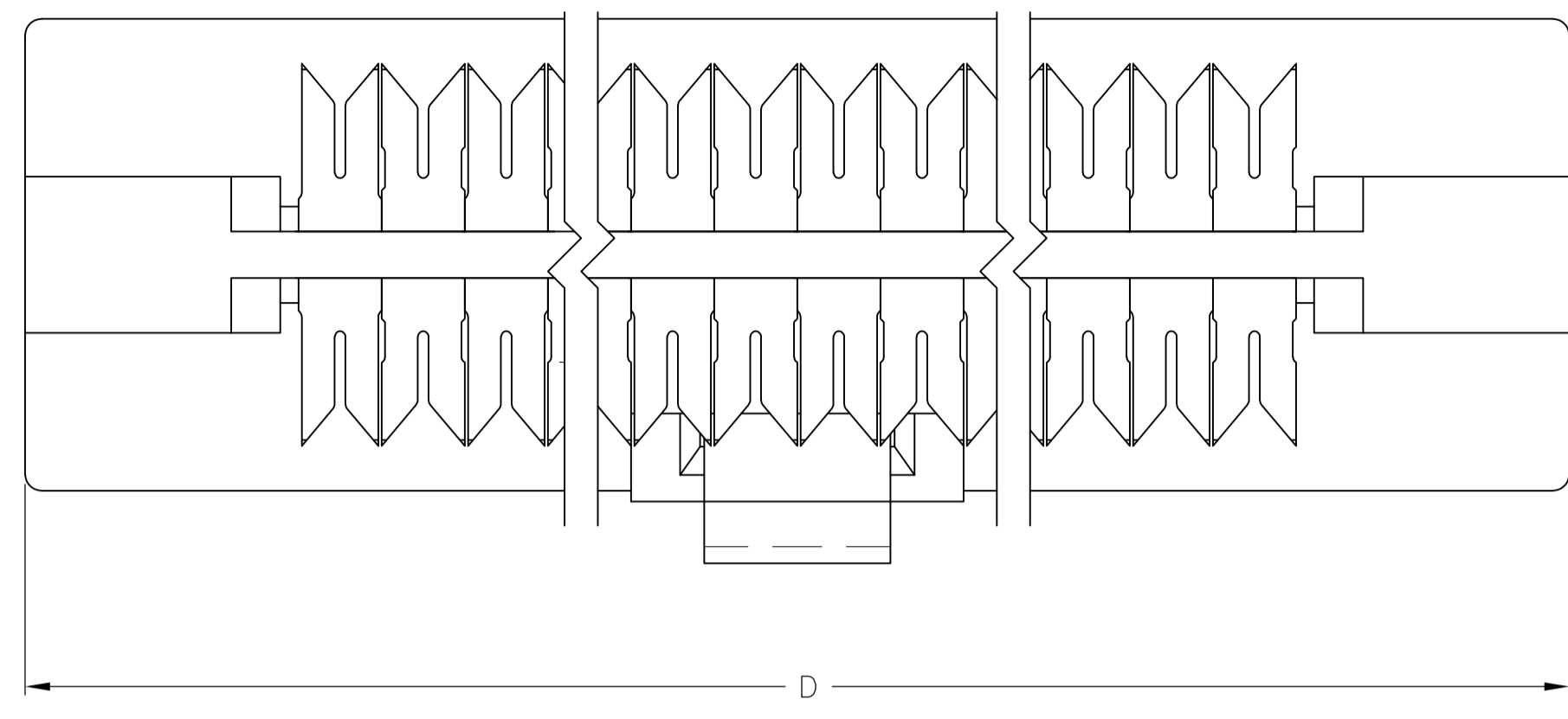


LOC		DIST		REVISIONS			
AD	00	F	LTR	DESCRIPTION	DATE	DWN	APVD
		F		OG3C-0042-05	18JAN2006	RB	DR
		F1		REVISED PER ECO-09-020689	01SEP09	KK	AEG



- 1 MATERIAL:
RECEPTACLE CONTACTS- PHOSPHOR BRONZE
RECEPTACLE HOUSING AND TERMINATING COVERS- THERMOPLASTIC, COLOR: BLACK.
- 2 PLATING:
RECEPTACLE CONTACTS- 0.00076 [.000030] MINIMUM GOLD PLATE IN CONTACT AREA, 0.00127 [.000050] MINIMUM BRIGHT TIN-LEAD PLATE IN TERMINATION AREA, ALL OVER 0.00127 [.000050] MINIMUM NICKEL.
- 3. RECOMMENDED WIRE:
28 AWG- 0.91 [.036] MAX O.D. PVC OR POLYETHYLENE INSULATION.
- 4. SHORT-LONG CONTACT SEQUENCE MUST ALTERNATE BUT MAY BEGIN WITH EITHER A SHORT OR LONG CONTACT.
- 5 PLATING:
RECEPTACLE CONTACTS- 0.00076 [.000030] MINIMUM GOLD PLATE IN CONTACT AREA, 0.00127 [.000050] MINIMUM MATTE TIN PLATE IN TERMINATION AREA, ALL OVER 0.00127 [.000050] MINIMUM NICKEL.
- 6 OBSOLETE PARTS: OBSOLETE CIS STREAMLINING PER D.RENAUD/D.SINISI

	D	C	B	A	NO OF POSN	
OBSOLETE 6 5	71.83 [2.828]	63.91 [2.516]	62.23 [2.450]	49	100	6-104892-0
OBSOLETE 6 5	65.48 [2.578]	57.56 [2.266]	55.88 [2.200]	44	90	5-104892-9
5	59.13 [2.328]	51.21 [2.016]	49.53 [1.950]	39	80	5-104892-8
5	52.78 [2.078]	44.86 [1.766]	43.18 [1.700]	34	70	5-104892-7
OBSOLETE 6 5	46.43 [1.828]	38.51 [1.516]	36.83 [1.450]	29	60	5-104892-6
5	40.08 [1.578]	32.16 [1.266]	30.48 [1.200]	24	50	5-104892-5
5	33.73 [1.328]	25.81 [1.016]	24.13 [.950]	19	40	5-104892-4
5	27.38 [1.078]	19.46 [.766]	17.78 [.700]	14	30	5-104892-3
5	21.03 [.828]	13.11 [.516]	11.43 [.450]	9	20	5-104892-2
OBSOLETE 6 5	14.68 [.578]	6.76 [.266]	5.08 [.200]	4	10	5-104892-1
OBSOLETE 6	71.83 [2.828]	63.91 [2.516]	62.23 [2.450]	49	100	1-104892-0
OBSOLETE 6	65.48 [2.578]	57.56 [2.266]	55.88 [2.200]	44	90	104892-9
	59.13 [2.328]	51.21 [2.016]	49.53 [1.950]	39	80	104892-8
	52.78 [2.078]	44.86 [1.766]	43.18 [1.700]	34	70	104892-7
OBSOLETE 6	46.43 [1.828]	38.51 [1.516]	36.83 [1.450]	29	60	104892-6
	40.08 [1.578]	32.16 [1.266]	30.48 [1.200]	24	50	104892-5
	33.73 [1.328]	25.81 [1.016]	24.13 [.950]	19	40	104892-4
	27.38 [1.078]	19.46 [.766]	17.78 [.700]	14	30	104892-3
	21.03 [.828]	13.11 [.516]	11.43 [.450]	9	20	104892-2
OBSOLETE 6	14.68 [.578]	6.76 [.266]	5.08 [.200]	4	10	104892-1

THIS DRAWING IS A CONTROLLED DOCUMENT.

DIMENSIONS: mm [INCHES]	TOLERANCES UNLESS OTHERWISE SPECIFIED: 0. PLC ± - 1. PLC ± - 2. PLC ± ± 0.36 [.015] 3. PLC ± ± - 4. PLC ANGLES ± ± -	DRAWING NO 114-7010	RESTRICTED TO -
MATERIAL	FINISH	WEIGHT	SCALE 10:1 SHEET 1 OF 1 REV F1

THIS DRAWING IS A CONTROLLED DOCUMENT. DWN J. HERRINGTON 6-18-93
 CHK P. SREMCICH 6-24-93
 NAME
 PRODUCT SPEC AMPMODU 50/50 GRID CABLE CONN. ASSY WITH LATCH
 APPLICATION SPEC 108-1443
 SIZE A1 00779 C=104892
 CUSTOMER DRAWING