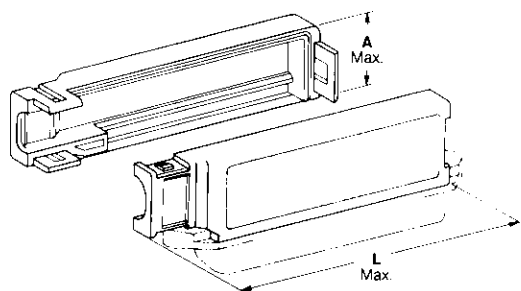


Cable-to-Cable Accessories

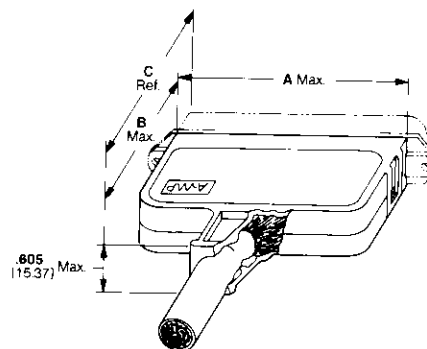
90° Snap-On Strain Relief Cover



No. of Pos.	Dimensions		Cable Range Diameter*	Part Numbers
	A	L		
14	.684	1.863	.185-.230 4.70-5.84	552412-1
	17.37	47.32	.250-.300 6.35-7.62	1-552412-1
24	.684	2.288	.250-.300 6.35-7.62	552413-1
	17.37	58.12	.305-.360 7.75-9.14	1-552413-1
36	.684	2.798	.305-.360 7.75-9.14	552414-1
	17.37	71.07	.330-.380 8.38-9.65	3-552414-1
50	.684	3.388	.340-.400 8.64-10.16	552014-1
	17.37	86.06	.315-.415 8.00-10.54	1-552011-1
50	.922	3.388	.415-.465 10.54-11.81	552011-1
	23.42	86.06	.475-.540 12.07-13.72	552731-1
64	1.127	3.590	.410-.475 10.41-12.07	552496-1
	28.63	91.19	.475-.540 12.07-13.72	1-552496-1
64	1.127	4.183	.540-.605 13.72-15.37	2-552496-1
	28.63	106.25		

*Strain relief cover cable diameter range is a guideline. The appropriate strain relief cover depends on cable stiffness, cable packing and fillers.

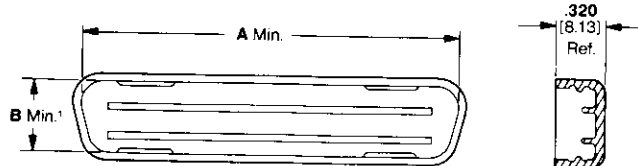
180° Snap-On Strain Relief Cover



No. of Pos.	Dimensions			Cable Range Diameter*	Part Numbers
	A	B	C		
14	.994	1.455	1.824	.175-.220 4.45-5.59	552079-1
	25.25	36.96	46.33	.220-.265 5.59-6.73	1-552079-1
24	1.419	1.455	1.824	.265-.310 6.73-7.87	2-552079-1
	36.04	36.96	46.33	.230-.280 5.84-7.11	552076-1
24	1.419	1.455	1.824	.280-.320 7.11-8.13	1-552076-1
	36.04	36.96	46.33	.320-.380 8.13-9.65	2-552076-1
36	1.934	1.455	1.824	.290-.360 7.37-9.14	552073-1
	49.12	36.96	46.33	.360-.430 9.14-10.92	552073-5
36	1.934	1.455	1.824	.430-.500 10.92-12.70	552073-6
	49.12	36.96	46.33	.330-.380 8.38-9.65	3-552008-1
50	2.520	1.555	1.924	.380-.430 9.65-10.92	2-552008-1
	64.01	39.50	48.87	.430-.490 10.92-12.45	552008-1
50	2.520	1.555	1.924	.480-.550 12.19-13.97	4-552008-1
	64.01	39.50	48.87	.430-.500 10.92-12.70	552003-11
64	3.119	1.655	2.024	.480-.540 12.19-13.72	552082-1
	79.22	42.04	51.41	.540-.610 13.72-15.49	569025-1

*With probe holes.

Dust Cover



¹B Dimension—.610 [15.49]
Plug and .478 [12.14] Receptacles

No. of Pos.	Plug Cover (Blue)		Receptacle Cover (Red)	
	A	Part No.	A	Part No.
14	—	—	.996 25.30	229969-5
24	1.575 40.01	229968-4	1.421 36.09	229969-4
36	2.085 52.96	229968-3	1.931 49.05	229969-3
50	2.700 68.58	229968-1	2.526 64.16	229969-1
64	3.275 83.19	229968-2	3.121 79.27	229969-2