

PLUG CONNECTOR KIT PART NO.	CABLE	
	WIRE SIZE (AWG)	MAX. (DIA)
556624-1	24-26 SOLID; 24 STRANDED	17.78 [.700]
556624-2	22 SOLID OR STRANDED	

Figure 1

1. INTRODUCTION

This instruction sheet covers the assembly of the AMP* CHAMP 64-Position Shielded 90° Exit Plug components shown in Figure 1.

NOTE *Dimensions are in millimeters [followed by inches in brackets]. Figures are for reference only and are not drawn to scale.*

Reasons for reissue of this sheet are provided in Section 4, REVISION SUMMARY.

2. DESCRIPTION

The shielding components are designed to reduce problems of EMI/RFI (electromagnetic interference/radio frequency interference) at the interface of CHAMP connectors.

The kit includes a plug housing assembly and two nickel-plated 90° shield/cover halves. The shield/cover halves also feature a spring finger at the cable exit for braid/foil contact.

3. ASSEMBLY PROCEDURE

3.1. Cable Preparation (Figure 2)

Strip outer cable jacket 152.4 mm [6.00 in.] from end of cable.

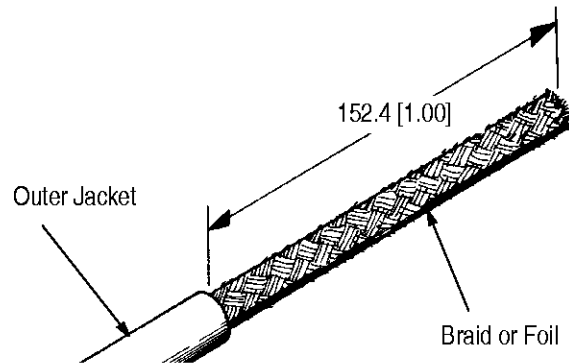


Figure 2

3.2. Braid Shield Application (Figure 3)

Trim braid 25.4 mm [1.00 in.] from end of outer jacket. Fold cable braid flush with outer jacket.

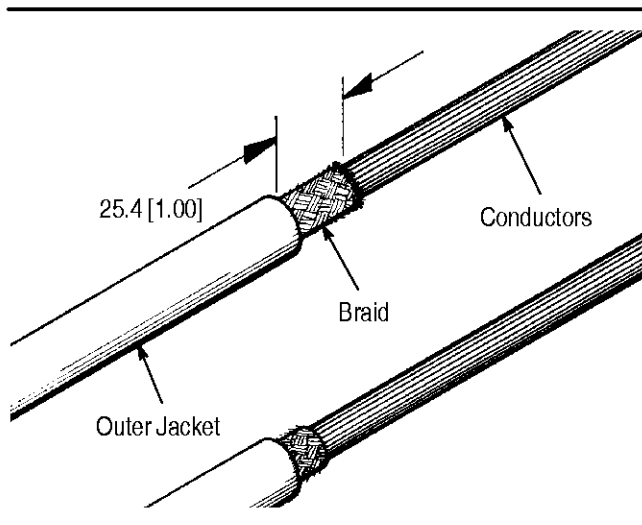


Figure 3

3.3. Foil Shield Application (Figure 4)

Trim foil 25.4 mm [1.00 in.] from end of outer jacket. Fold cable foil (conductive side out) flush with outer jacket.

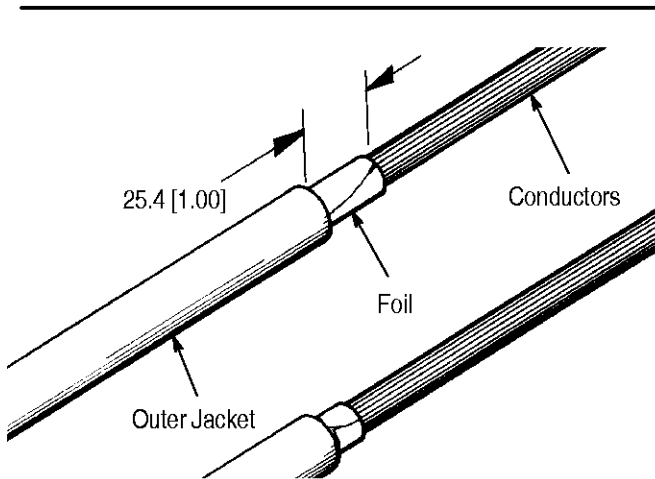


Figure 4

3.4. Cable Termination (Figure 5)

Terminate cable conductors into housing assembly. Contact your local AMP Sales Engineer for different types of tooling and procedures.

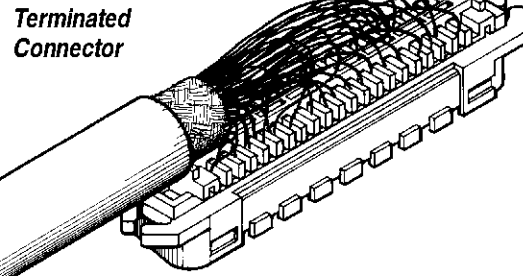


Figure 5

3.5. Shield/Cover Assembly (Figure 6)

Align plug shield fingers on shield/cover assembly with notches on the connector. Locate cable so that cable foil or braid contacts spring finger on shield/cover. Press shield/cover over connector. Flat jaw pliers may be used to snap shield/cover halves together.

NOTE

Smaller diameter cables may require a filler (heat shrink tubing, electrical tape, etc) to obtain proper strain relief.

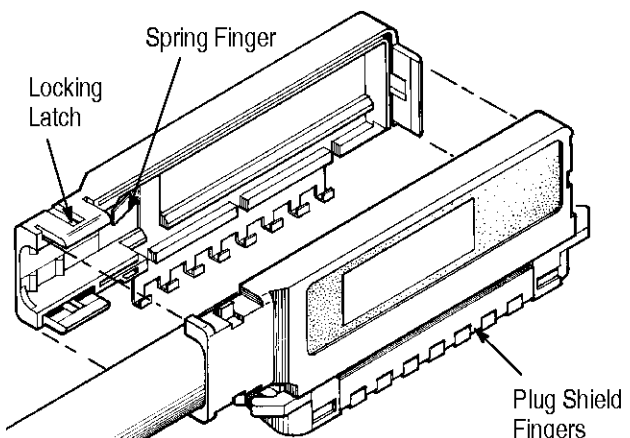


Figure 6

4. REVISION SUMMARY

Revisions to this document include:

Per EC 0990–0513–97:

- Changed wire size description for 556624–1 from 22 to 24–26 solid: 24 stranded
- Changed wire size description for 556624–2 from 24–26 to 22 solid or stranded
- Changed cable diameter description for 556624–1 from .550 –.700 to 17.78 [.700] max.
- Changed cable diameter description for 556624–2 from .450 –.550 to 17.78 [.700] max.
- Added NOTE to Paragraph 3.5