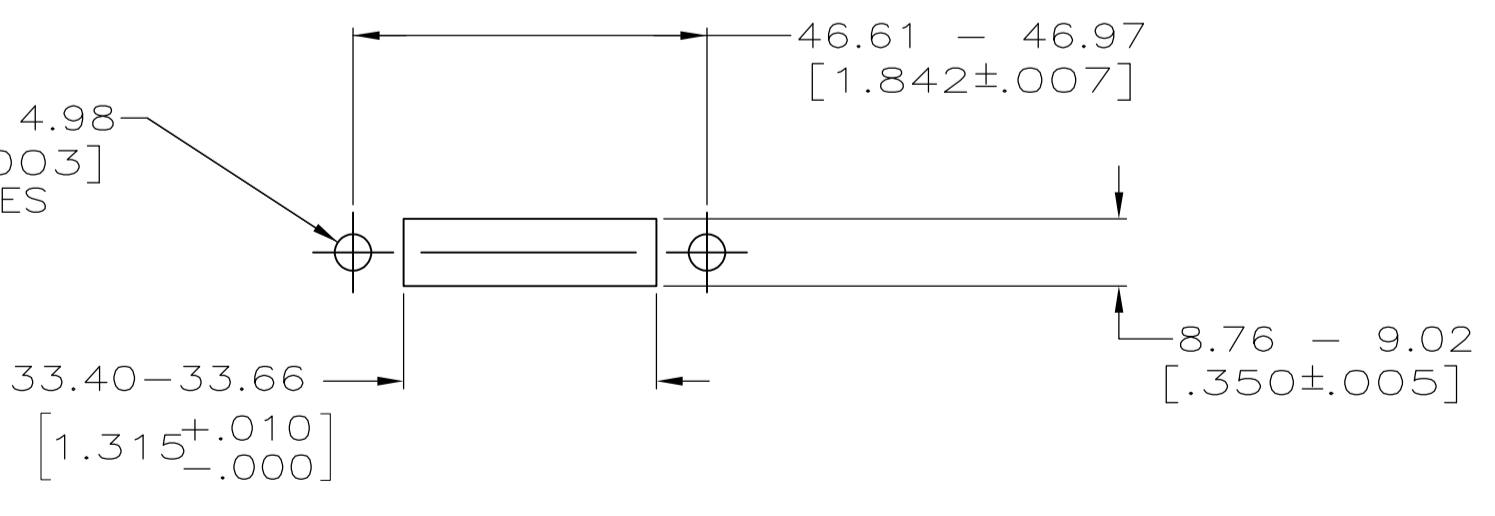
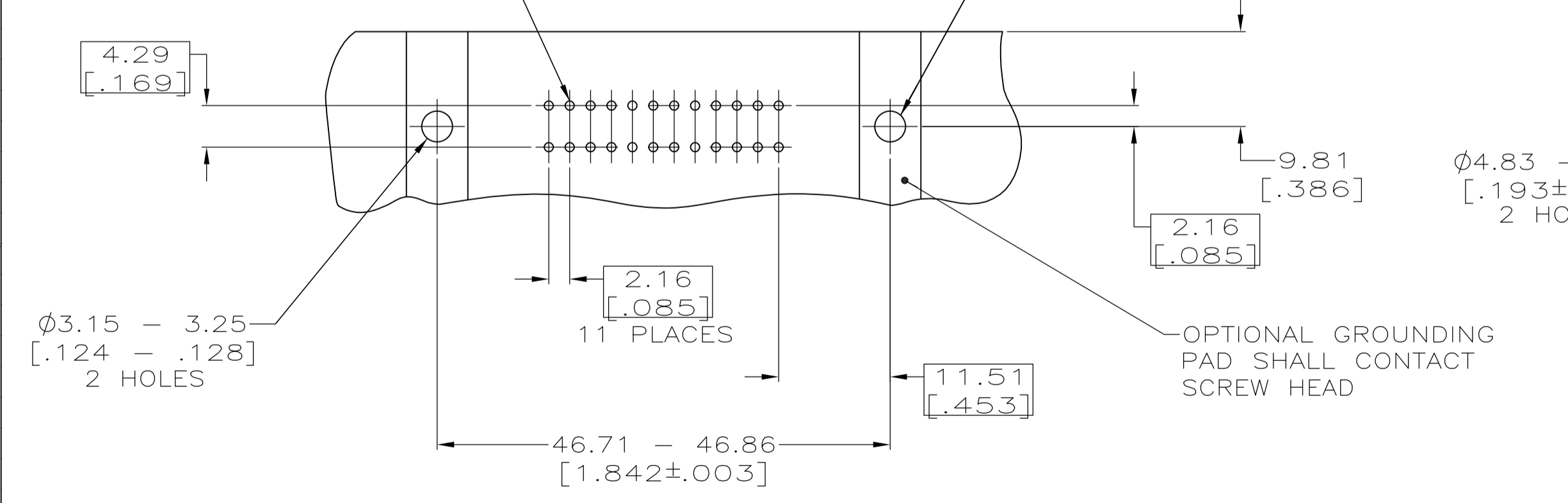
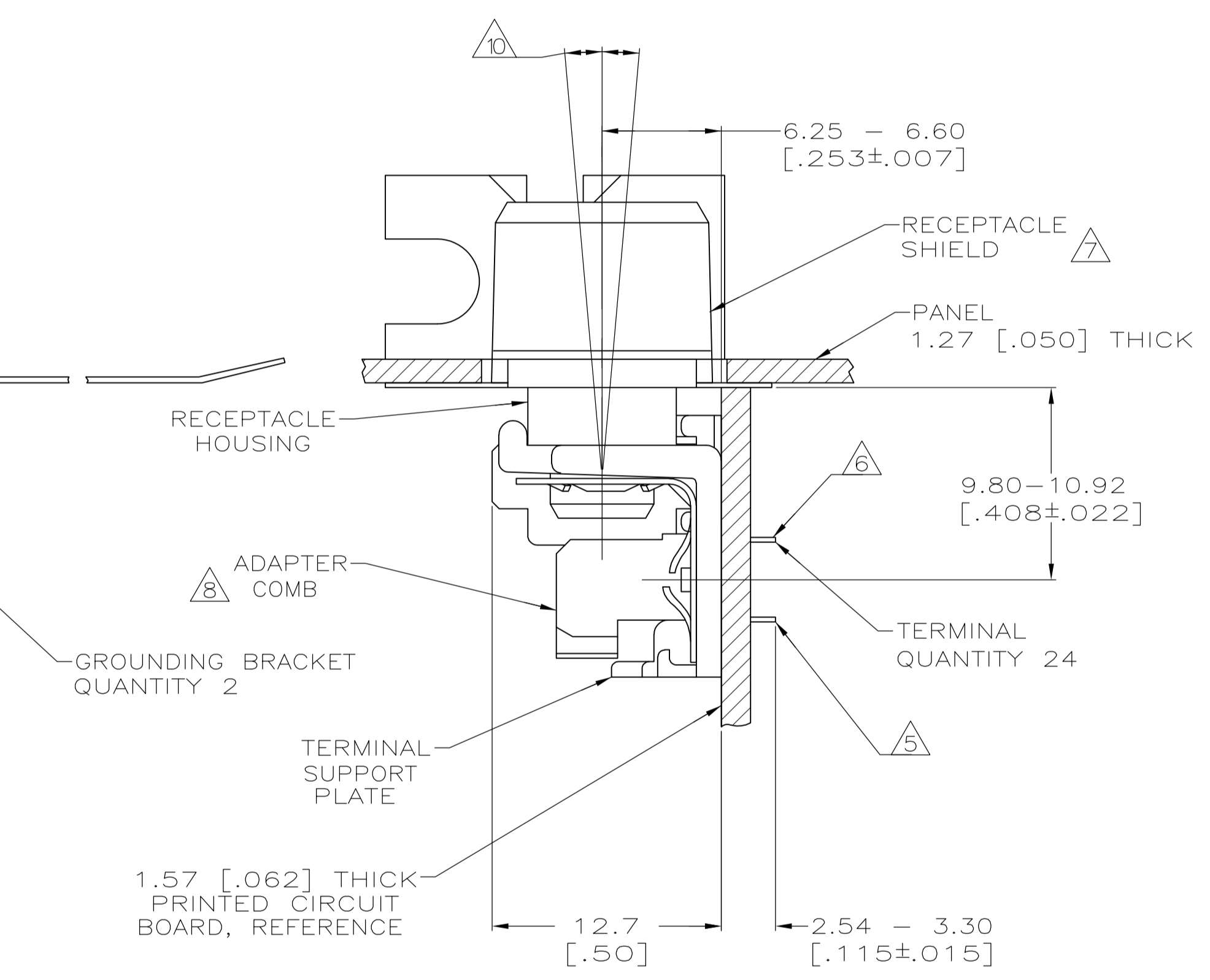
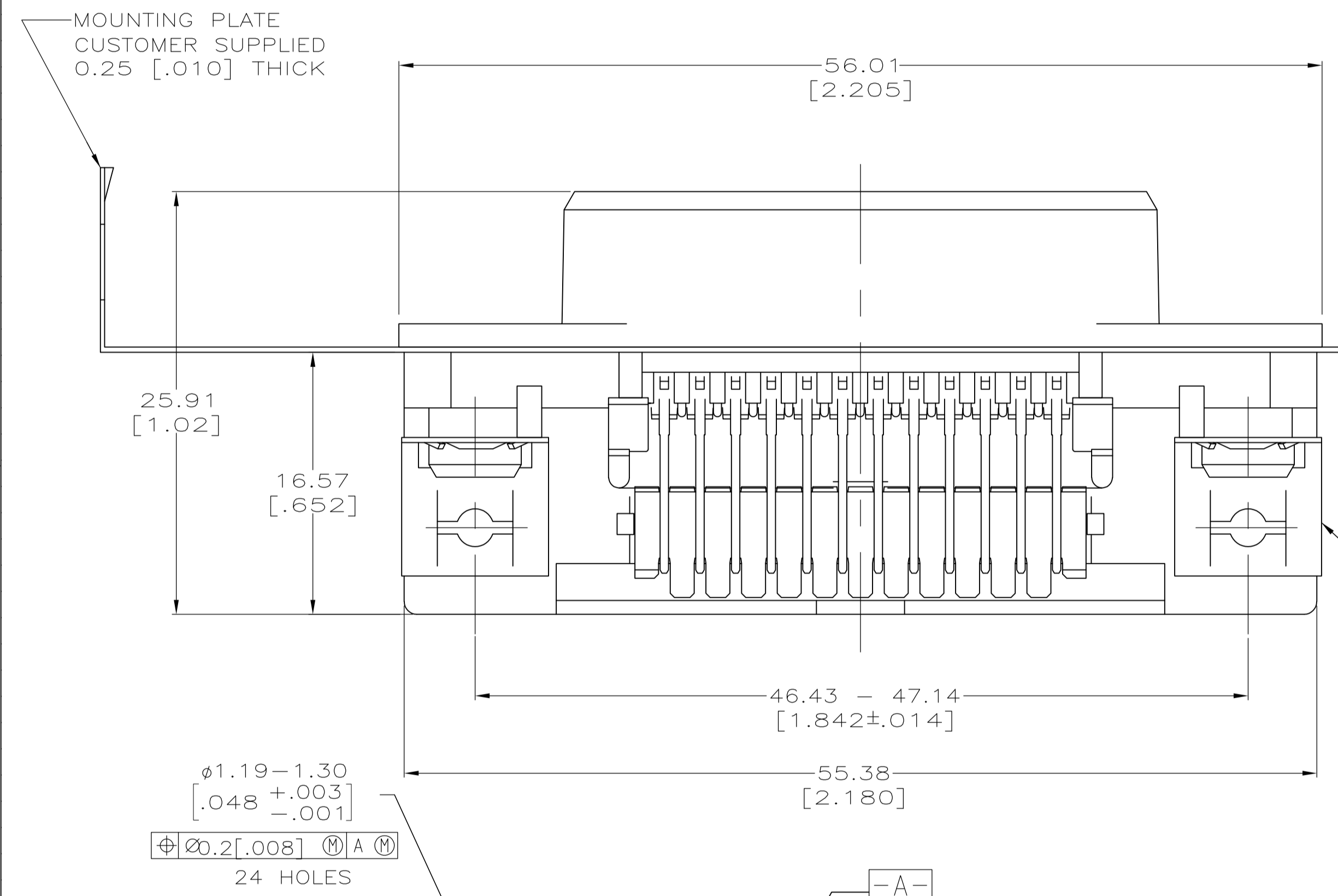


- 1 MATERIAL:
 SUPPORT PLATE, HOUSING & ADAPTER COMB - POLYESTER, BLACK.
 RECEPTACLE SHIELD - NICKEL OVER COPPER PLATED ZINC.
 TERMINALS - HIGH STRENGTH COPPER ALLOY PLATED WITH EITHER
 0.76µm [.000030] MIN GOLD PLATE OR GOLD FLASH OVER PALLADIUM
 NICKEL PLATE, 0.76µm [.000030] MIN TOTAL ON MATING SURFACE.
 3.05µm [.000120] MIN TIN-LEAD PLATE ON TAILS. ALL OVER 1.27µm
 [.000050] MIN NICKEL UNDERPLATE OVER ENTIRE TERMINAL.
 GROUND BRACKET - ZINC PLATED CARBON STEEL.
2. THE CONTACT SURFACES OF THE TERMINALS ARE COATED WITH LUBRICANT.
3. CENTER-TO-CENTER SPACING OF TERMINALS IS 2.16 [.085] NOMINAL.
- 4 DIMENSIONS ARE MAXIMUM UNLESS OTHERWISE SPECIFIED.
- 5 TERMINAL 1 LOCATED IN THIS ROW FOR STANDARD ORIENTATION.
- 6 TERMINAL 1 LOCATED IN THIS ROW FOR REVERSE ORIENTATION.
- 7 SHIELD SHIPPED NOT ASSEMBLED.
- 8 ADAPTER COMB SHALL BE PARTIALLY RETRACTED BEFORE INSERTING CONNECTOR INTO PRINTED CIRCUIT BOARD.
- 9 THIS FEATURE IS A CORED AREA AND IS OPTIONAL ON PART.
- 10 CONNECTOR MATING FACE MAY VARY UP TO 5 DEGREES IN EITHER DIRECTION FROM NOMINAL.



SUGGESTED PRINTED CIRCUIT BOARD MOUNTING DIMENSIONS
 SCALE 2:1

SUGGESTED BRACKET MOUNTING CUTOUT DIMENSIONS
 SCALE 1:1

SEE DETAIL "A"	STANDARD	555139-2
AS SHOWN	REVERSE	555139-1
DESCRIPTION	ORIENTATION	PART NUMBER

THIS DRAWING IS A CONTROLLED DOCUMENT.		DIN B SIMPSON 22AUG94	Tyco Electronics Corporation Harrisburg, PA 17105-3608	
DIMENSIONS: mm [INCHES]		CHK C WHITT 28AUG94	NAME R FLAHERTY 03NOV94	
TOLERANCES UNLESS OTHERWISE SPECIFIED:		PRODUCT SPEC		
0 PLC	± -	APPLICATION SPEC		
1 PLC	± -	SIZE		
2 PLC	± -	CASE CODE		
3 PLC	± -	DRAWING NO		
4 PLC	± -	RESTRICTED TO		
ANGLES	± -	WEIGHT		
MATERIAL	FINISH	A1 00779 C=555139		
CUSTOMER DRAWING		SCALE 4:1	SHEET 1 of 1	REV G