

THIS DRAWING IS UNPUBLISHED. RELEASED FOR PUBLICATION
 © COPYRIGHT BY TYCO ELECTRONICS CORPORATION. ALL RIGHTS RESERVED.

| LOC | DIST | REVISIONS | | | | | |
|-----|------|-----------|-----|-----------------------|---------|-----|------|
| | | P | LTR | DESCRIPTION | DATE | DWN | APVD |
| ES | 00 | | F | REVISE FB00-0096-03 | 09SEP03 | J.J | T.S |
| | | | F1 | REV PER ECO-09-021826 | 08SEP09 | KK | AEG |

- NOTES:
- 1 MATERIAL: HEADER: NYLON UL94V-0 (WHITE),
POST: BRASS, TIN OVER NICKEL OR GOLD OVER NICKEL
 - 2. POST COMPLY WITH AMP SOLDERABILITY SPEC 109-11-2.
 - 3 RETENTION DETAIL LOCATED ON END CIRCUITS ONLY
 - 4 (2) CIRCUIT HEADER TO BE AS SHOWN IN FIGURE 1.

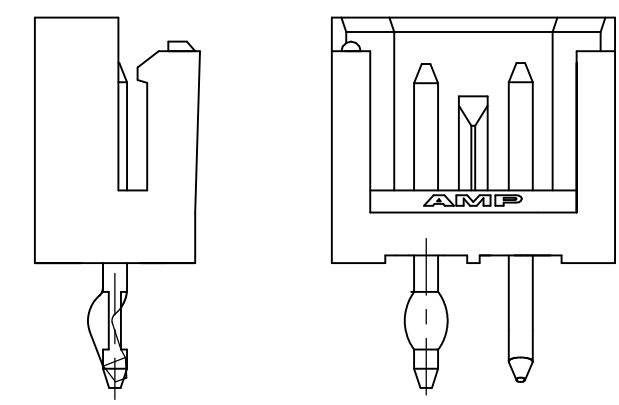
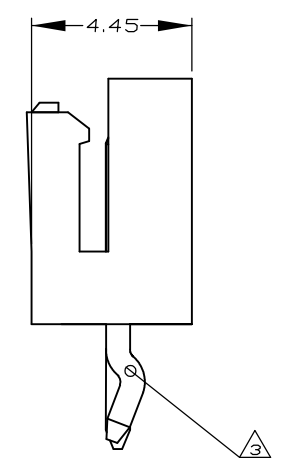
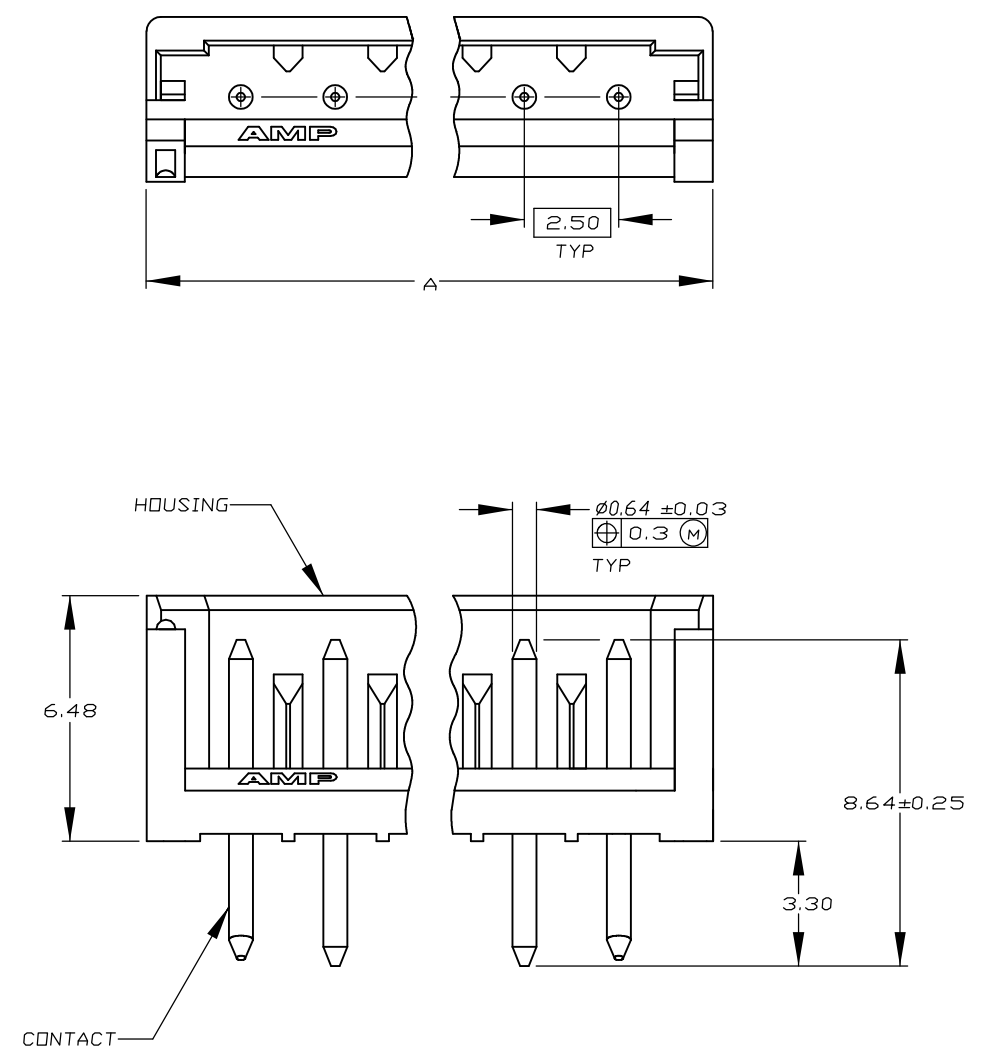
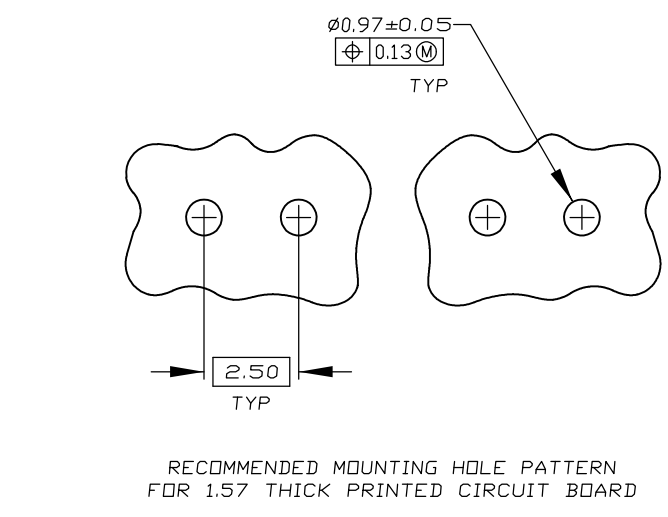


FIG. 1 4

- 5 OBSOLETE PARTS: OBSOLETE CIS STREAMLINING PER D.RENAUD/D.SINISI

| 5 OBSOLETE | NO OF CIRCUITS | | PART NO | PART NO |
|---------------|-------------------|----|----------------------|----------------------|
| | A | | | |
| | 37.5 | 14 | 3-92008-4 | 1-92008-4 |
| | 35 | 13 | 3-92008-3 | 1-92008-3 |
| | 32.5 | 12 | 3-92008-2 | 1-92008-2 |
| | 30 | 11 | 3-92008-1 | 1-92008-1 |
| | 27.5 | 10 | 3-92008-0 | 1-92008-0 |
| | 25 | 9 | 2-92008-9 | 92008-9 |
| | 22.5 | 8 | 2-92008-8 | 92008-8 |
| | 20 | 7 | 2-92008-7 | 92008-7 |
| | 17.5 | 6 | 2-92008-6 | 92008-6 |
| | 15 | 5 | 2-92008-5 | 92008-5 |
| | 12.5 | 4 | 2-92008-4 | 92008-4 |
| | 10 | 3 | 2-92008-3 | 92008-3 |
| | 7.5 | 2 | 2-92008-2 | 92008-2 |



THIS DRAWING IS A CONTROLLED DOCUMENT.

DWN SARIATI 08SEP2003
 CHK MAGGIE
 APVD P de JONG
 PRODUCT SPEC 108-51007
 APPLICATION SPEC

Weight

CUSTOMER DRAWING

Tyco Electronics
 Tyco Electronics Corporation
 Shanghai, P.R.China,200233

HEADER ASSEMBLY, ROUND PIN METRIC INTERCONNECT SYSTEM

| | | | |
|------|-----------|------------|---------------|
| SIZE | CAGE CODE | DRAWING NO | RESTRICTED TO |
| A3 | 00779 | C-92008 | - |

SCALE 1:1 SHEET 1 OF 1 REV F1