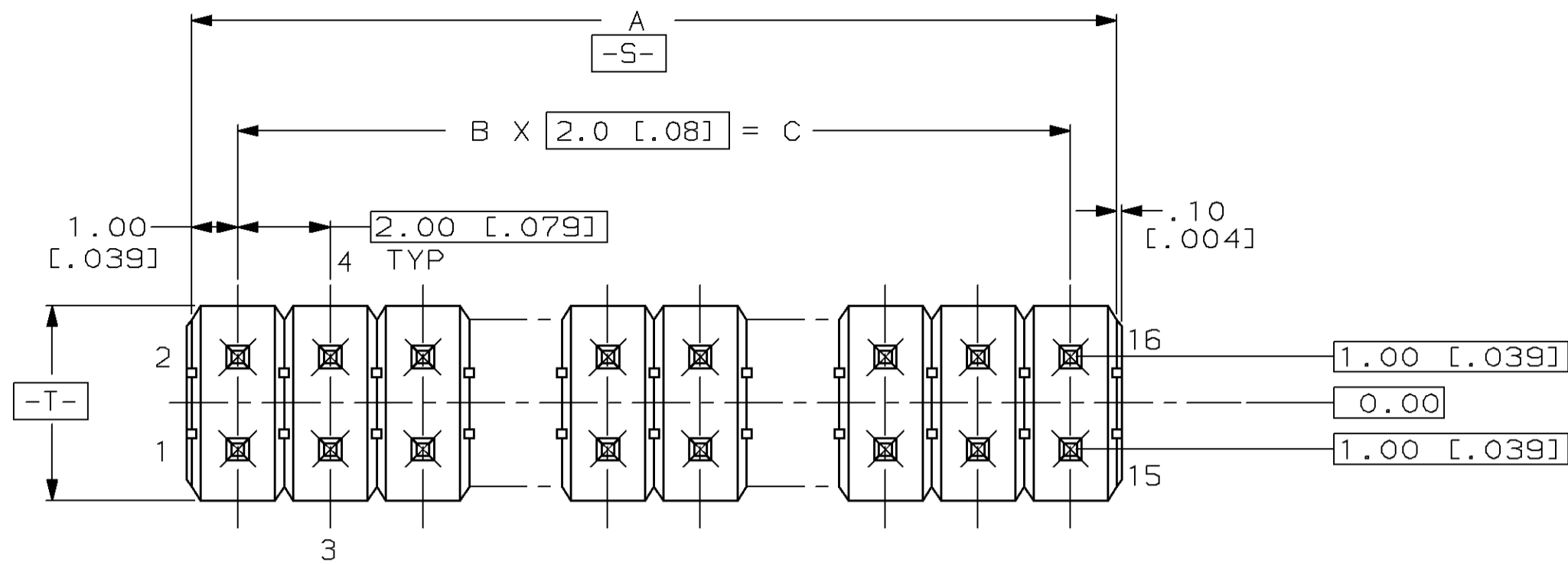
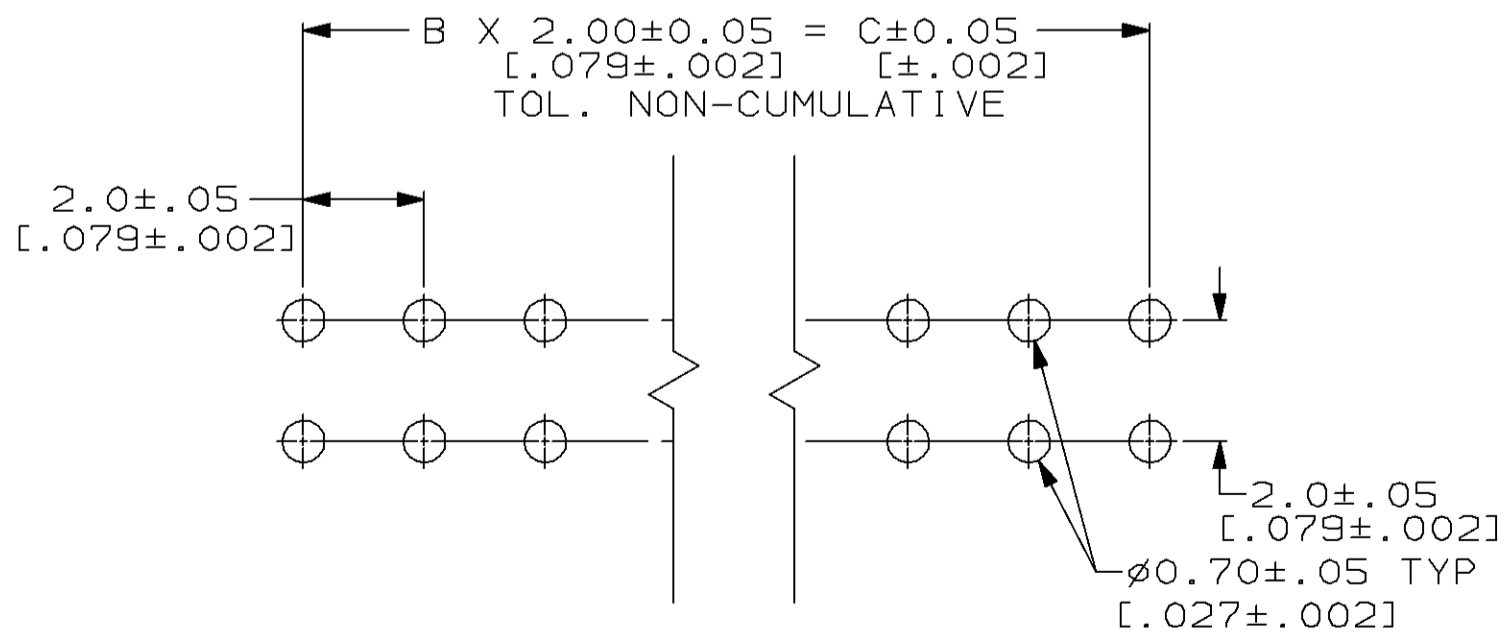
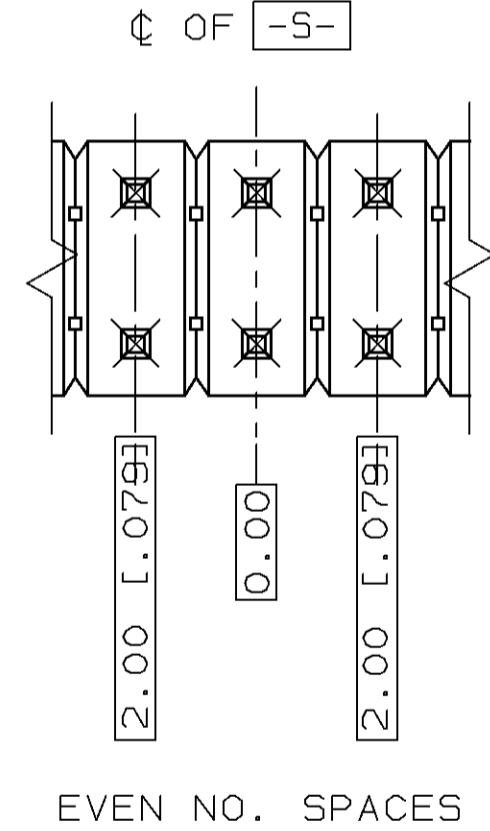
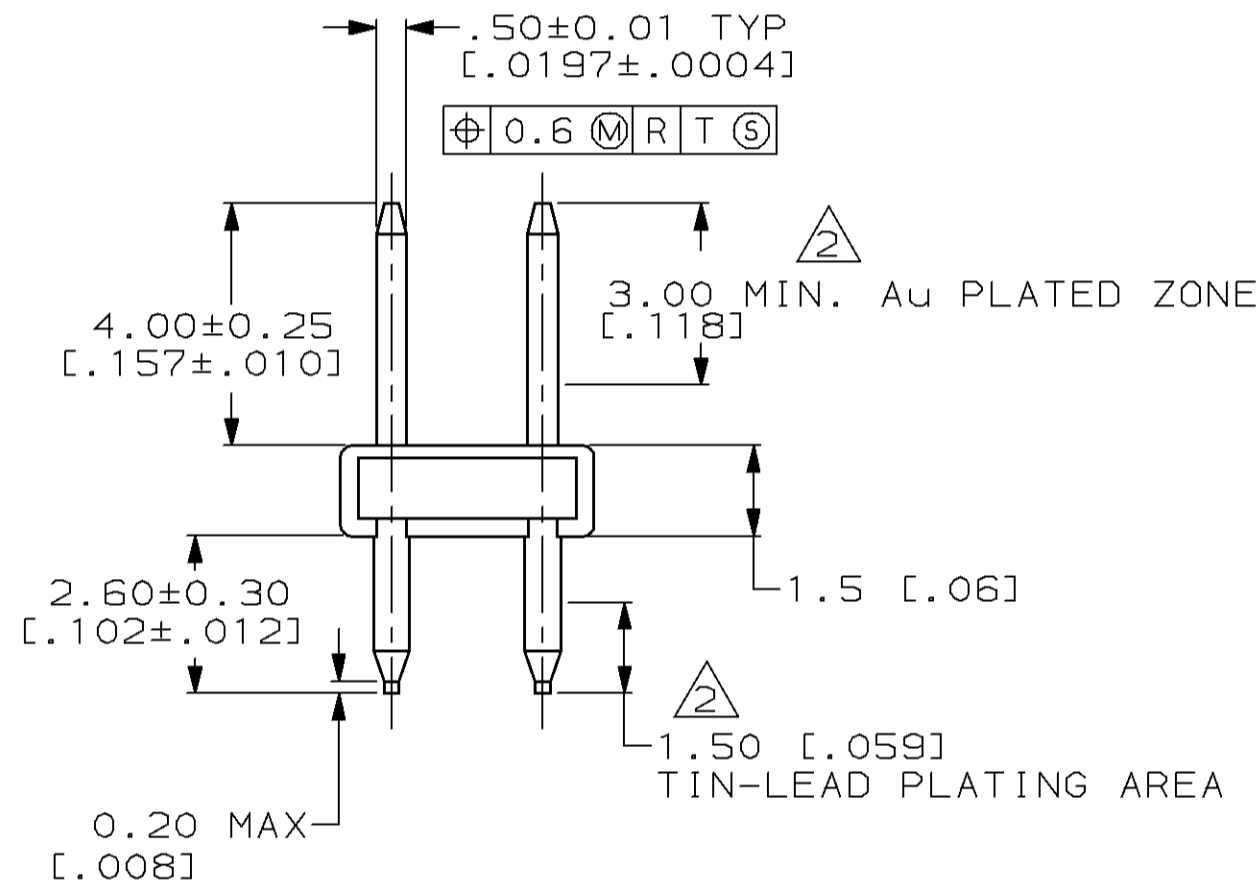
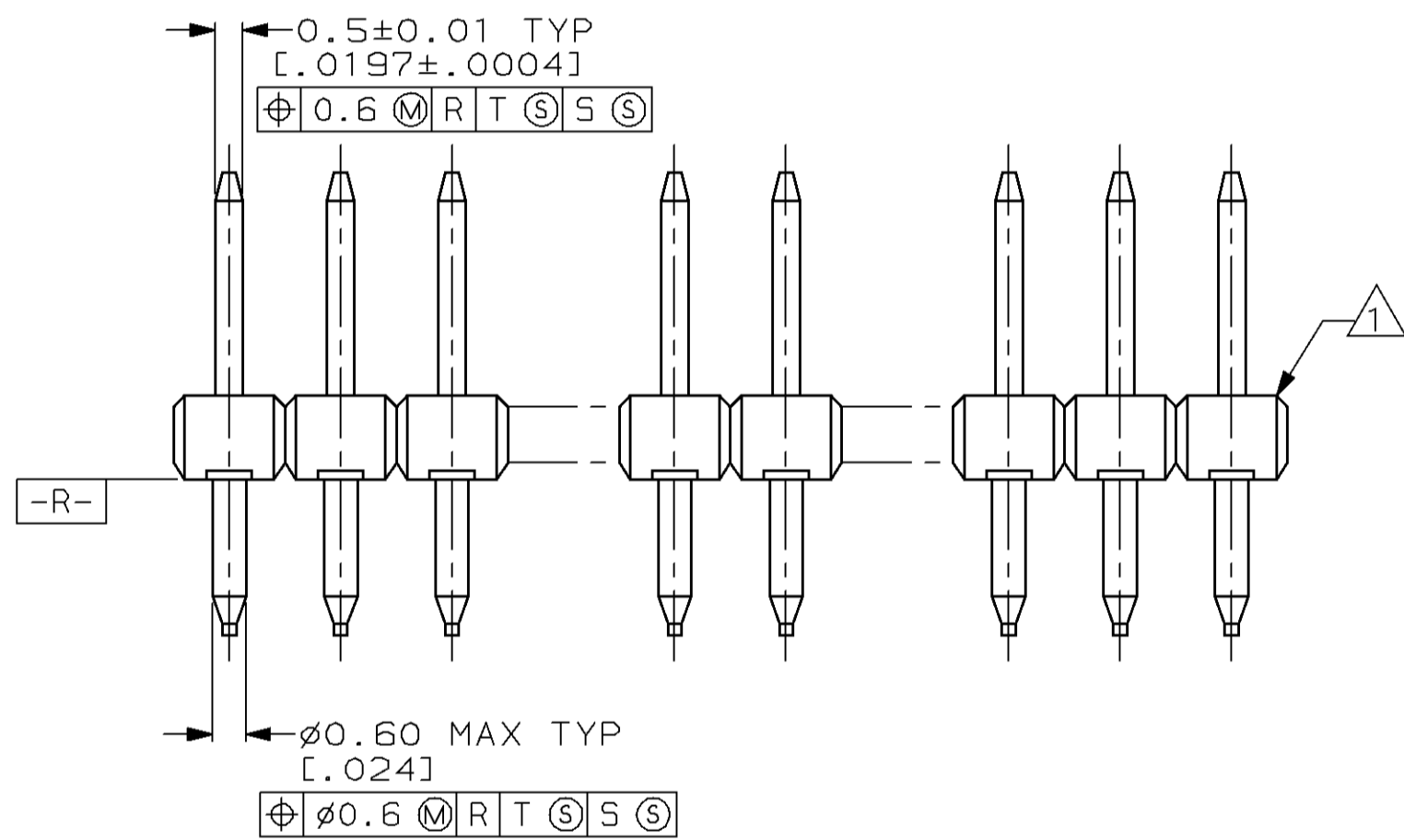


THIS DRAWING IS UNPUBLISHED. RELEASED FOR PUBLICATION
 BY AMP INCORPORATED. ALL RIGHTS RESERVED.

LOC	DIST	REVISIONS			
P	LTR	DESCRIPTION	DATE	DWN	APVD
DF	SO	A	REV PER 0600-5697-96	9-96	CT DE



- 1 MATERIAL:
HOUSING: THERMOPLASTIC, UL 94V-0.
POST: BRASS
- 2 FINISH: CONTACT AREA, 0.0002 MIN AU ON NICKEL 0.0013 MIN ALL OVER.
POST TINE: 0.002 MIN TIN-LEAD
- 3 PINS #1 & #12 ARE OMITTED.
- 4 PINS #1 & #14 ARE OMITTED.



RECOMMENDED HOLE LAYOUT
 PCB THICKNESS: 1.6±0.1 [.063±.004]

1472AS374-2	4	14.0 [.55]	7	16.0 [.63]	16	443536-2
1472AS374-1	3	10.0 [.39]	5	12.0 [.47]	12	443536-1
MOTOROLA PART NO. REF	REMARKS	DIM C	B SPACES	DIM A	NO OF POSN	PART NUMBER

<small>THIS DRAWING IS A CONTROLLED DOCUMENT FOR AMP INCORPORATED. IT IS SUBJECT TO CHANGE AND THE CONTROLLING ENGINEERING ORGANIZATION SHOULD BE CONTACTED FOR THE LATEST REVISION.</small>		DWN C.C. THOMAS 12-11-95	AMP Incorporated Harrisburg, PA 17105-3608
DIMENSIONS: mm (INCHES)		CHK D. EABY 1-16-96	
		APVD D. EABY 1-16-96	
MATERIAL		PRODUCT SPEC -	
TOLERANCES UNLESS OTHERWISE SPECIFIED:		APPLICATION SPEC -	NAME AMPMODU 2mm DRRA/A HEADER, SELECT LOADED WITH SPECIAL TESTING
0 PLC ±- 1 PLC ±- 2 PLC ±- 3 PLC ±- 4 PLC ±- ANGLES ±- FINISH 2		WEIGHT -	
FINISH		CUSTOMER DRAWING	SIZE A2
		SCALE 8:1	SHEET 1 OF 1
			DRAWING NO 443536
			REV A