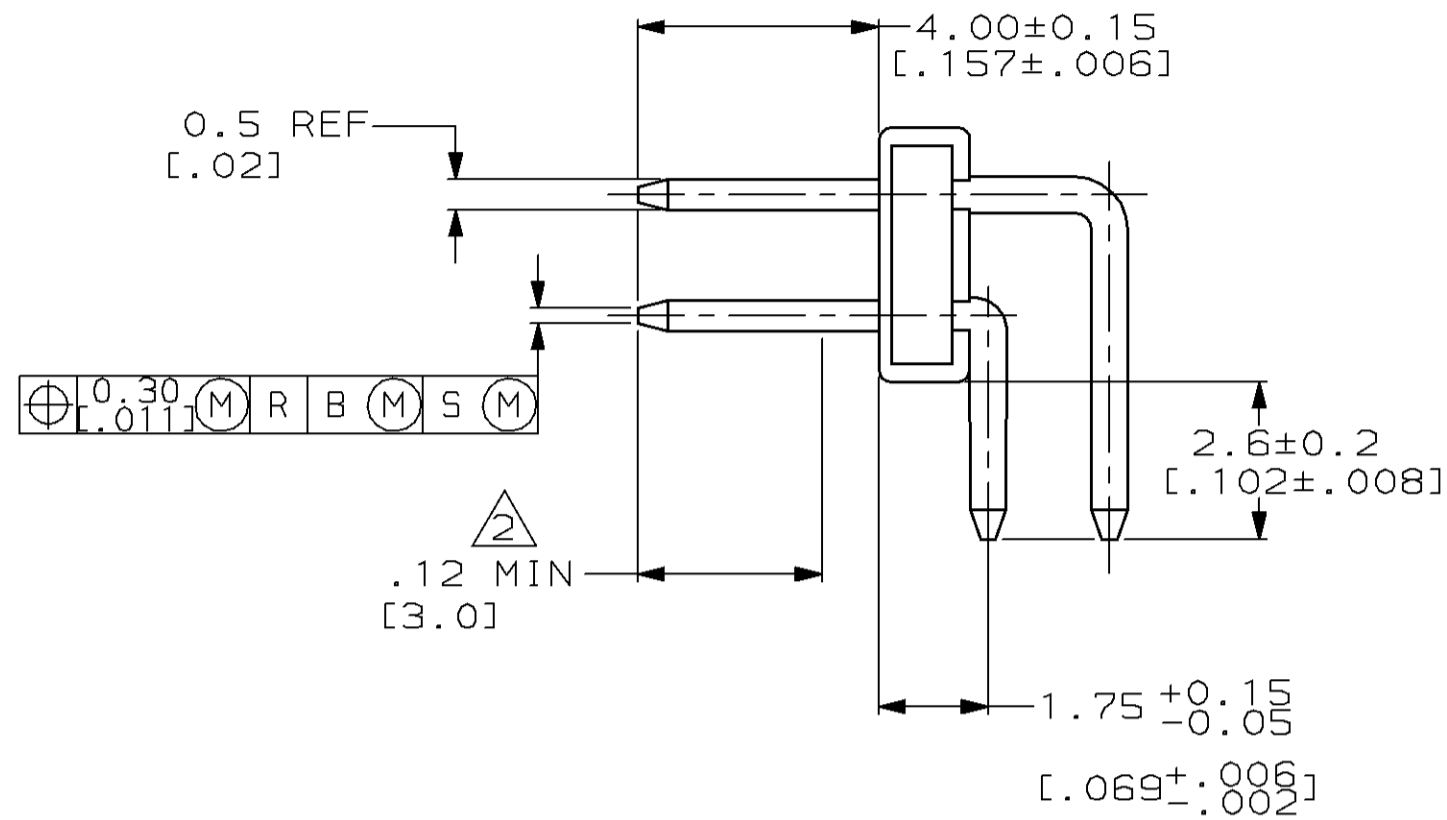
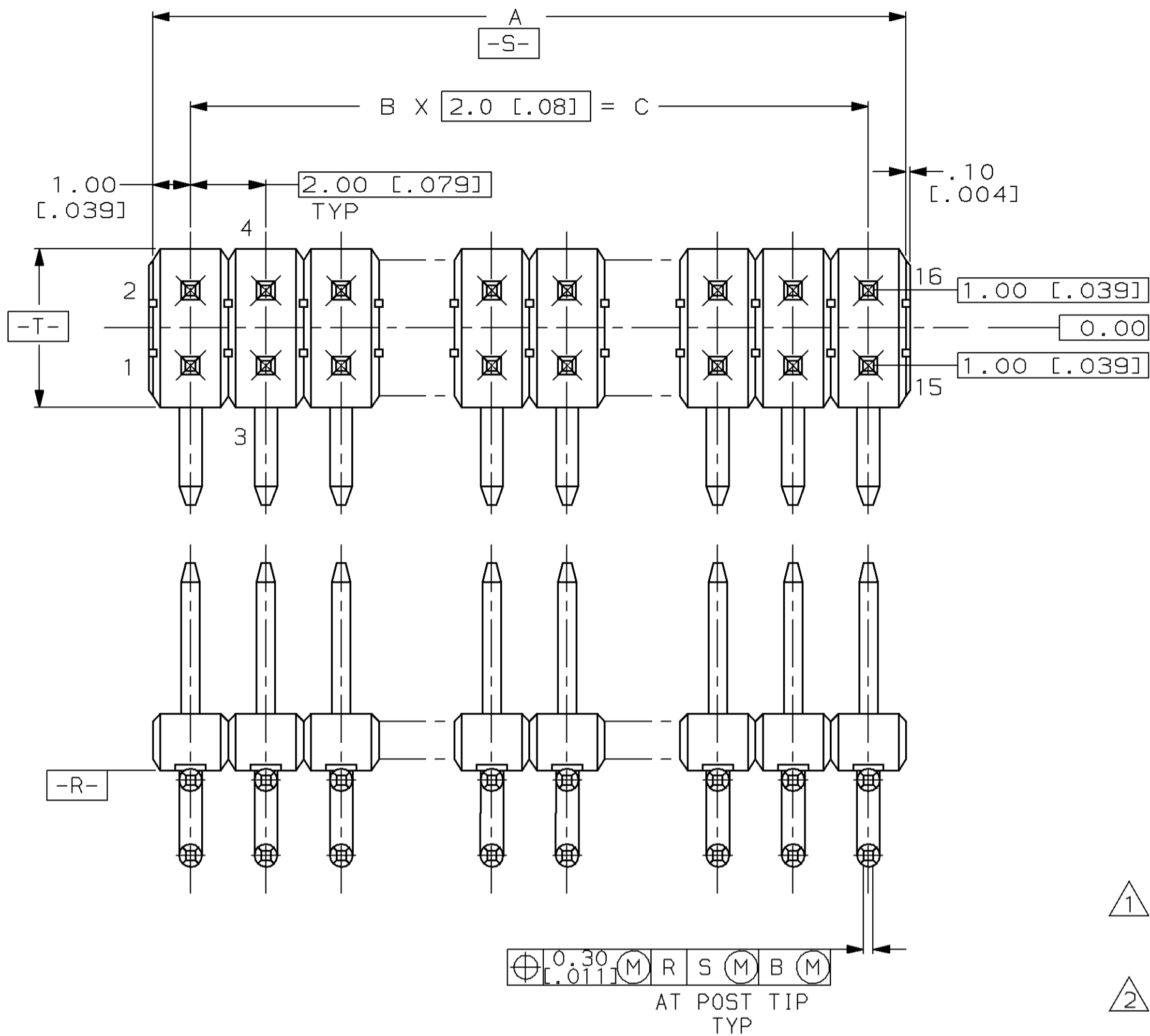


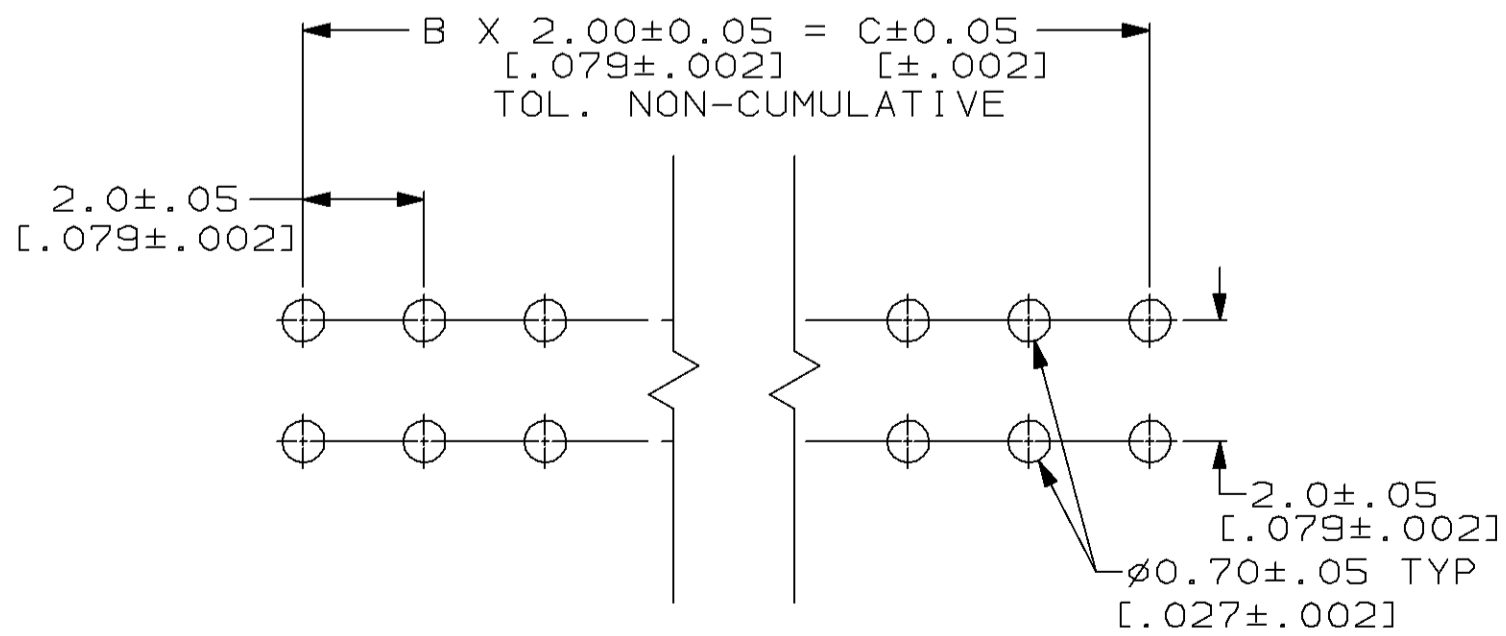
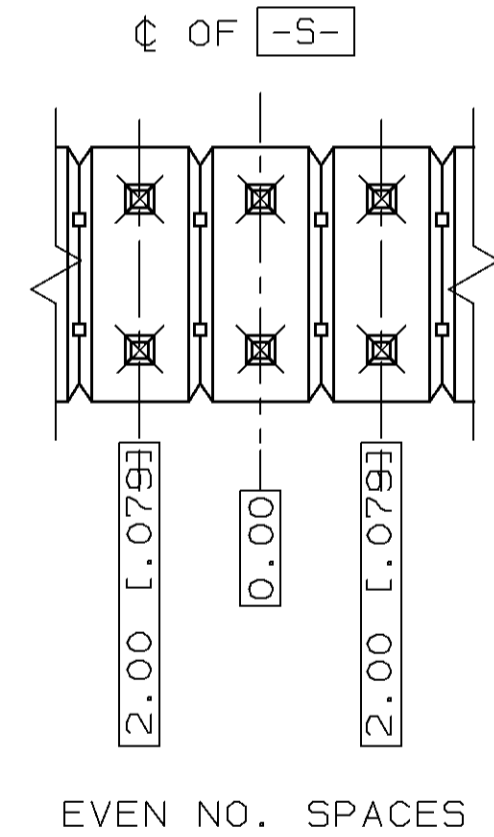
THIS DRAWING IS UNPUBLISHED. RELEASED FOR PUBLICATION
 © COPYRIGHT 19 BY AMP INCORPORATED. ALL RIGHTS RESERVED.

LOC		DIST		REVISIONS			
P	LTR	DATE	DWN	APVD			
DF	SO						
A		REV PER 0600-5697-96	9-96	CT	DE		



$\varnothing 0.30$ [.011] (M) R S (M) B (M)
 AT POST TIP TYP

- 1 MATERIAL:
HOUSING: THERMOPLASTIC, UL 94V-0.
POST: BRASS
- 2 FINISH: CONTACT AREA, 0.0002 MIN AU ON NICKEL 0.0013 MIN ALL OVER.
POST TINE: 0.002 MIN TIN-LEAD
- 3 PINS #1 & #8 ARE OMITTED.
- 4 PINS #3 & #16 ARE OMITTED.
- 5 PINS #5 & #16 ARE OMITTED.



RECOMMENDED HOLE LAYOUT

PCB THICKNESS: 1.6 ± 0.1 [.063 ± .004]

MOTOROLA PART NO. REF	REMARKS	DIM C	B SPACES	DIM A	NO OF POSN	PART NUMBER
1472AS374-5	5	14.0 [.55]	7	16.0 [.63]	16	443537-3
1472AS374-4	4	14.0 [.55]	7	16.0 [.63]	16	443537-2
1472AS374-3	3	6.0 [.24]	3	8.0 [.31]	8	443537-1

<small>THIS DRAWING IS A CONTROLLED DOCUMENT FOR AMP INCORPORATED. IT IS SUBJECT TO CHANGE AND THE CONTROLLING ENGINEERING ORGANIZATION SHOULD BE CONTACTED FOR THE LATEST REVISION.</small>		DWN C.C. THOMAS 12-11-95 CHK D.EABY 1-16-96 APVD D.EABY 1-16-96	AMP AMP Incorporated Harrisburg, PA 17105-3608
DIMENSIONS: mm [INCHES]	TOLERANCES UNLESS OTHERWISE SPECIFIED: 0 PLC ±- 1 PLC ±- 2 PLC ±- 3 PLC ±- 4 PLC ±- ANGLES ±- FINISH	PRODUCT SPEC - APPLICATION SPEC - WEIGHT -	NAME AMPMODU 2mm DRRA/A HEADER, SELECT LOADED WITH SPECIAL TESTING SIZE A2 CAGE CODE 00779 DRAWING NO. 443537
MATERIAL	FINISH	CUSTOMER DRAWING	SCALE 8:1 SHEET 1 OF 1 REV A