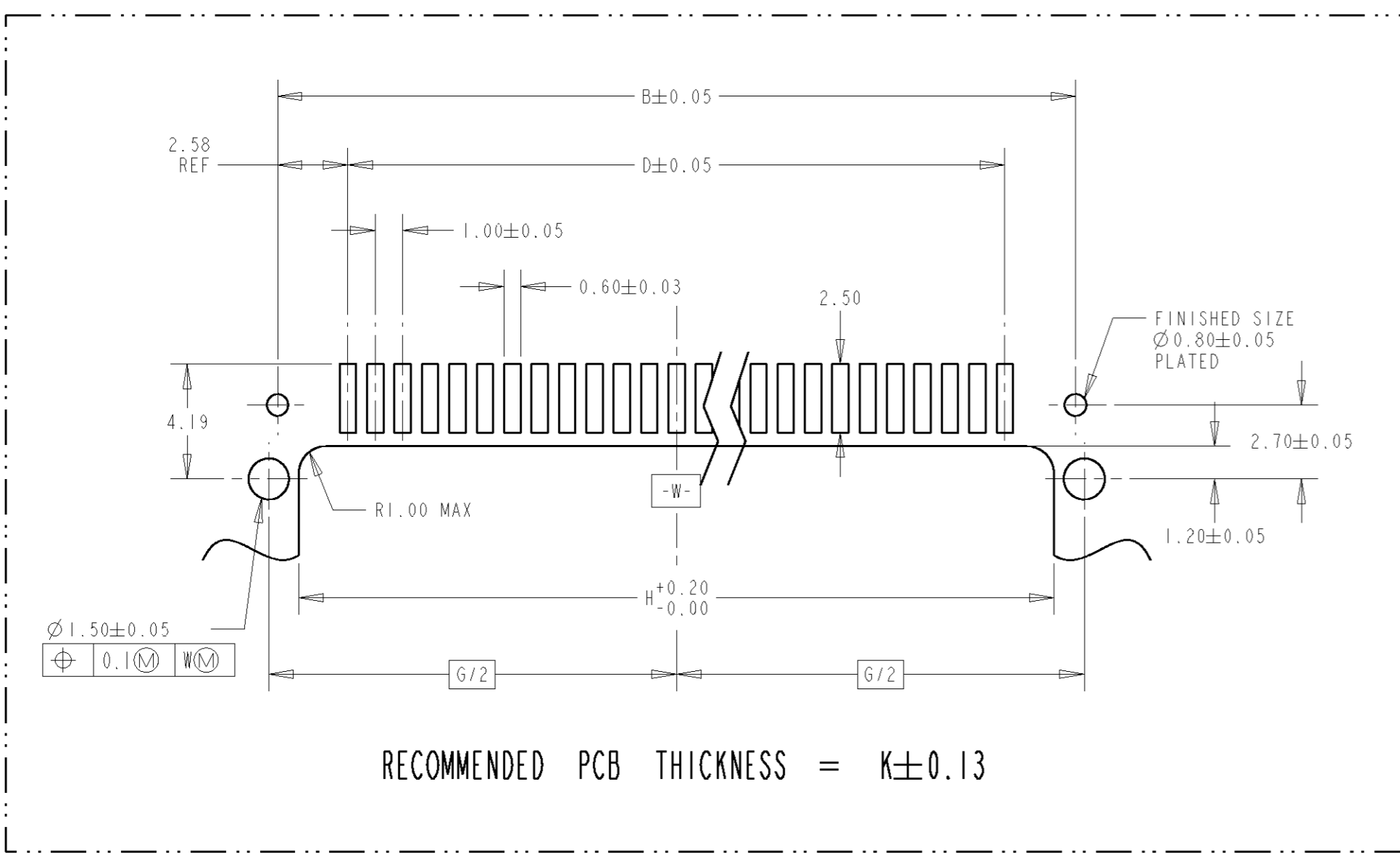


- NOTES:
- MATERIAL:  
HOUSING: PPS, UL94-0, BLACK  
POST: COPPER ALLOY
  - FINISH:  
CONTACT AREA: 0.76um GOLD OR GOLD FLASH OVER 0.76um Pd-Ni  
SOLDER AREA: 2.54um MIN 90-10 TIN-LEAD ALLOY  
UNDERPLATE: 1.3um MIN NICKEL ALL OVER
  - POSITION NO. FOR REFERENCE ONLY
  - ALL PCB CONTACT SURFACES OF SMT SOLDER TAILS TO BE A MAX OF 0.1 ABOVE -U- AND A MAX OF 0.05 BELOW -U- SUBJECT TO TOTAL 0.1
  - ALL DIMENSIONS, EXCEPT STRAIGHTNESS TO BE MEASURED WITH BOW REMOVED



STATUS	REMARKS	PACKAGING	K	J	H	G	F	E	D	C	B	A	CUST. P/N FOR REF ONLY	POSTS OMITTED	POS	PART NO.
ACTIVE	REFER TO PG 2 OF 2	TAPE&REEL	0.8	52.10	52.58	54.79	48	24	49	49	54.15	56.03	-	25,45,46	50	1-84108-4
OBSOLETE	NO RETENTION PIN	TUBE	0.8	52.10	52.58	54.79	48	24	49	49	54.15	56.03	-	25,45,46	50	1-84108-3
ACTIVE	REFER TO PG 2 OF 2	TAPE&REEL	0.8	52.10	52.58	54.79	48	24	49	49	54.15	56.03	-	NIL	50	1-84108-2
ACTIVE	-	TUBE	0.8	52.10	52.58	54.79	48	24	49	49	54.15	56.03	-	25,45,46	50	1-84108-1
OBSOLETE	-	▲	0.8	16.10	16.58	18.79	12	6	13	13	18.15	20.03	-	11	14	1-84108-0
OBSOLETE	-	▲	0.8	22.10	22.20	24.79	18	9	19	19	24.15	26.03	-	2	20	84108-9
OBSOLETE	-	▲	0.8	38.10	38.58	40.79	34	17	35	35	40.15	42.03	-	NIL	36	84108-8
ACTIVE	-	▲	0.8	52.10	52.58	54.79	48	24	49	49	54.15	56.03	-	5,6,26	50	84108-7
OBSOLETE	-	▲	0.8	20.10	20.58	22.79	16	8	17	17	22.15	24.03	-	7,8,18	18	84108-6
OBSOLETE	-	▲	0.8	22.10	22.20	24.79	18	9	19	19	24.15	26.03	-	NIL	20	84108-5
OBSOLETE	-	▲	0.8	20.10	20.58	22.79	16	8	17	17	22.15	24.03	-	NIL	18	84108-4
OBSOLETE	-	▲	0.8	36.10	36.58	38.79	32	16	33	33	38.15	40.03	13316-934	14	34	84108-3
ACTIVE	-	▲	0.8	52.10	52.58	54.79	48	24	49	49	54.15	56.03	-844 (AT)	25,45,46	50	84108-2
ACTIVE	-	TRAY	0.8	52.10	52.58	54.79	48	24	49	49	54.15	56.03	-840 (SCSI)	24,41,42	50	84108-1

Copyright © 1994 AMP MANUFACTURING (SINGAPORE) PTE. LTD. ALL RIGHTS RESERVED.

AMP MANUFACTURING (SINGAPORE) PTE. LTD.

AMP

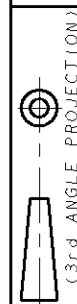
AMP MODU 2mm AMPMODU SMT, R/A, D/R

DR. 14.12.92 SARIATI DE. A.SOH

APP. SF LEONG

(GENERAL TOLERANCE) SIZE LOC (No.)  
0 < + ≤ 10 : ±0.2 A2 DY 84108  
10 < + ≤ 30 : ±0.25 (SCALE)  
30 < + ≤ 100 : ±0.3 3:1 REV. U SHEET 1 OF 2

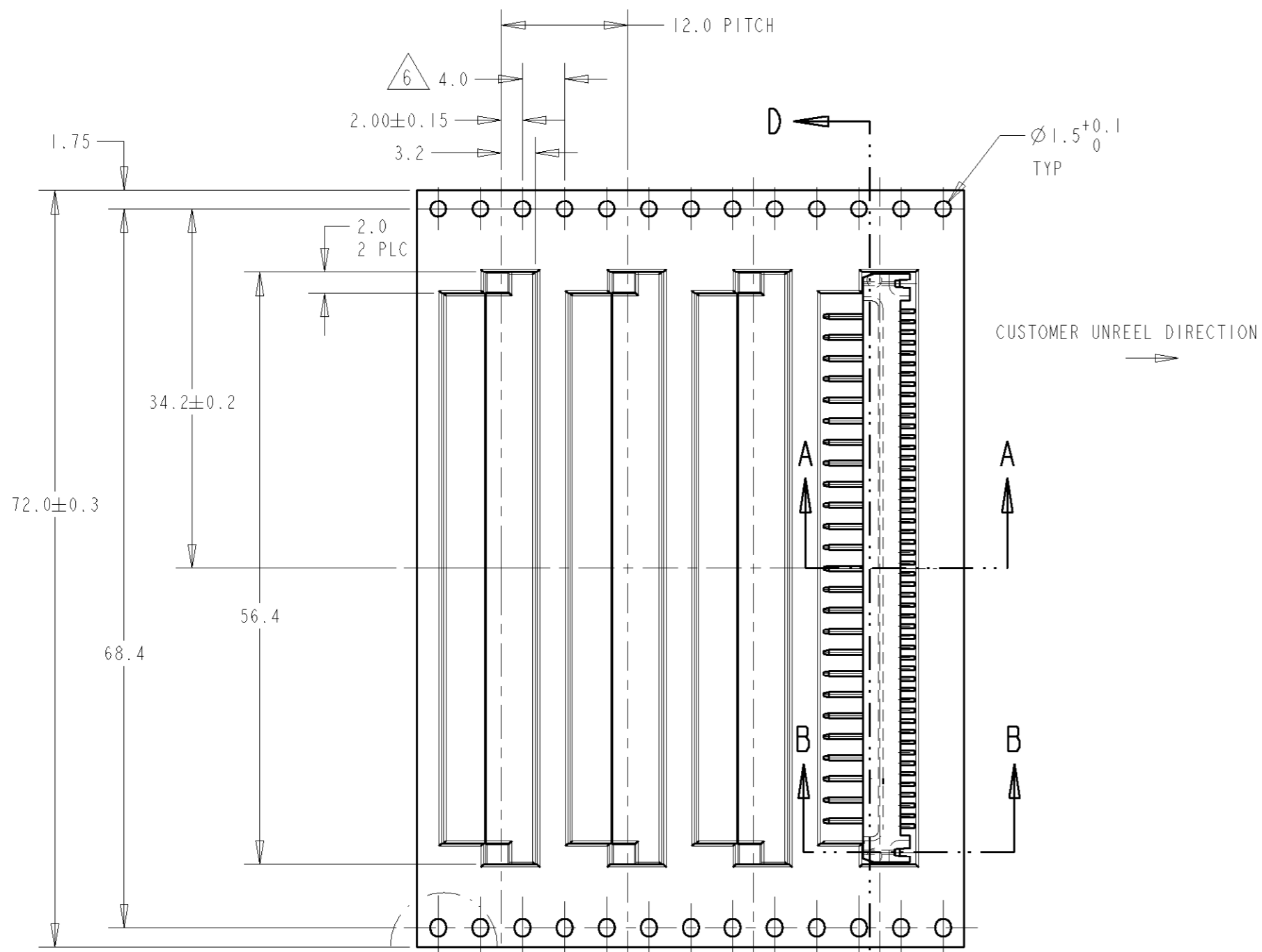
NUMBER  
84108



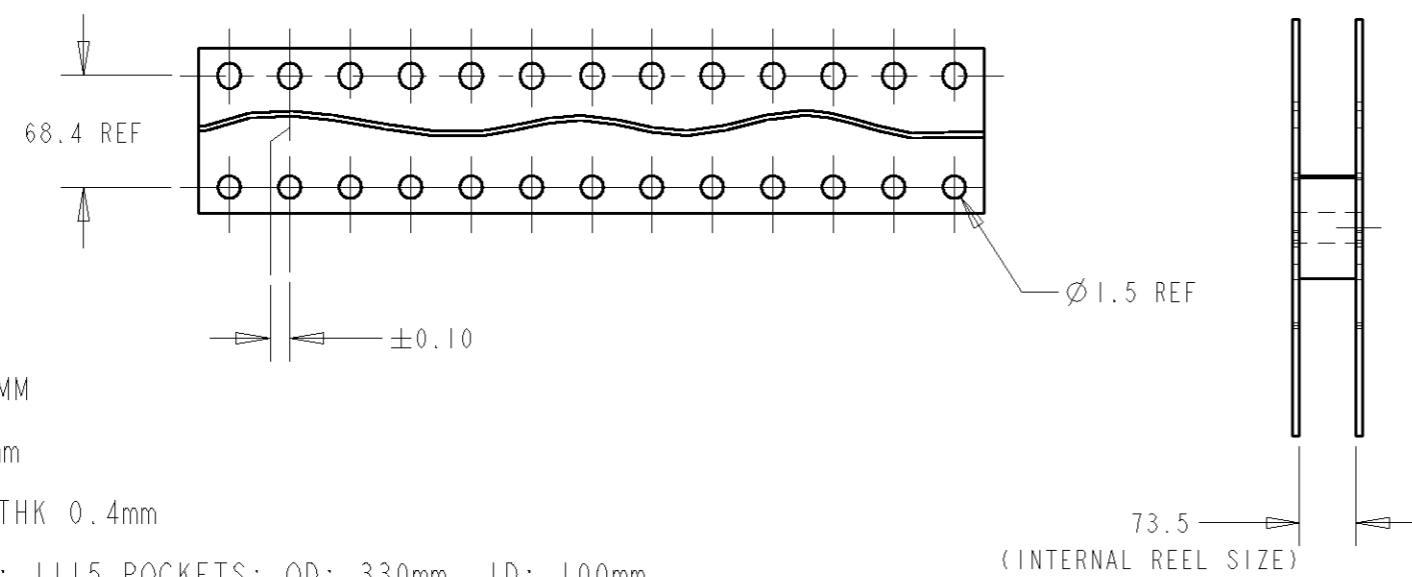
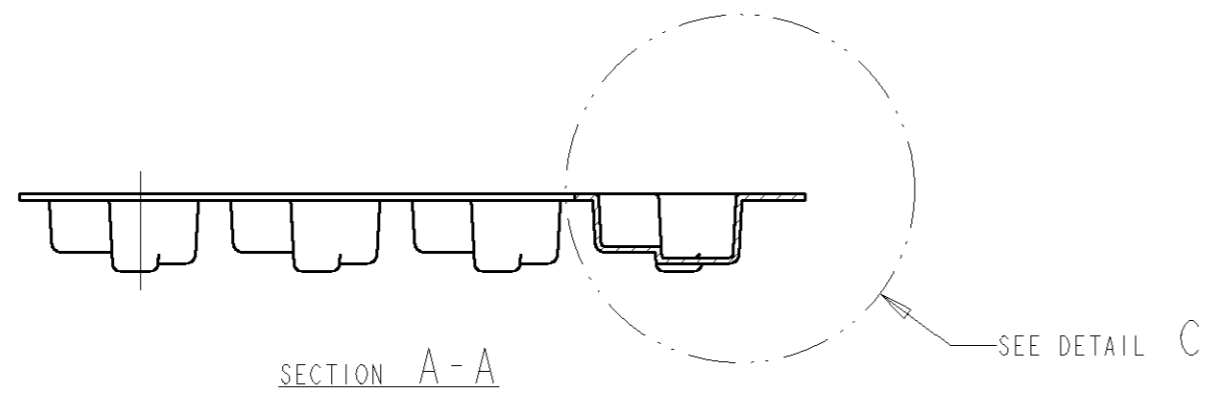
METRIC

DIMENSIONS IN MM. DO NOT SCALE PRINT

PRINT DIST



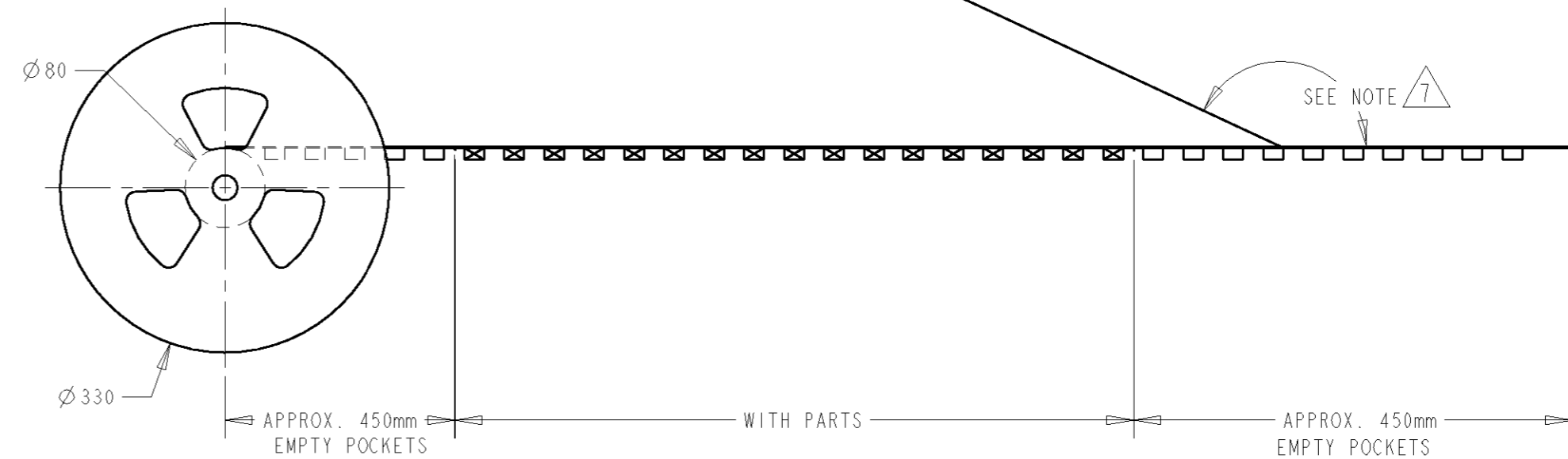
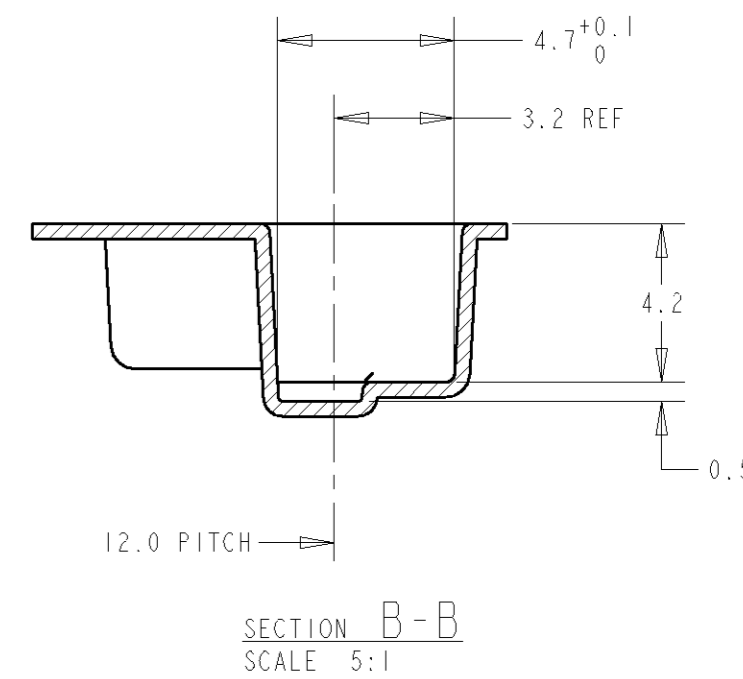
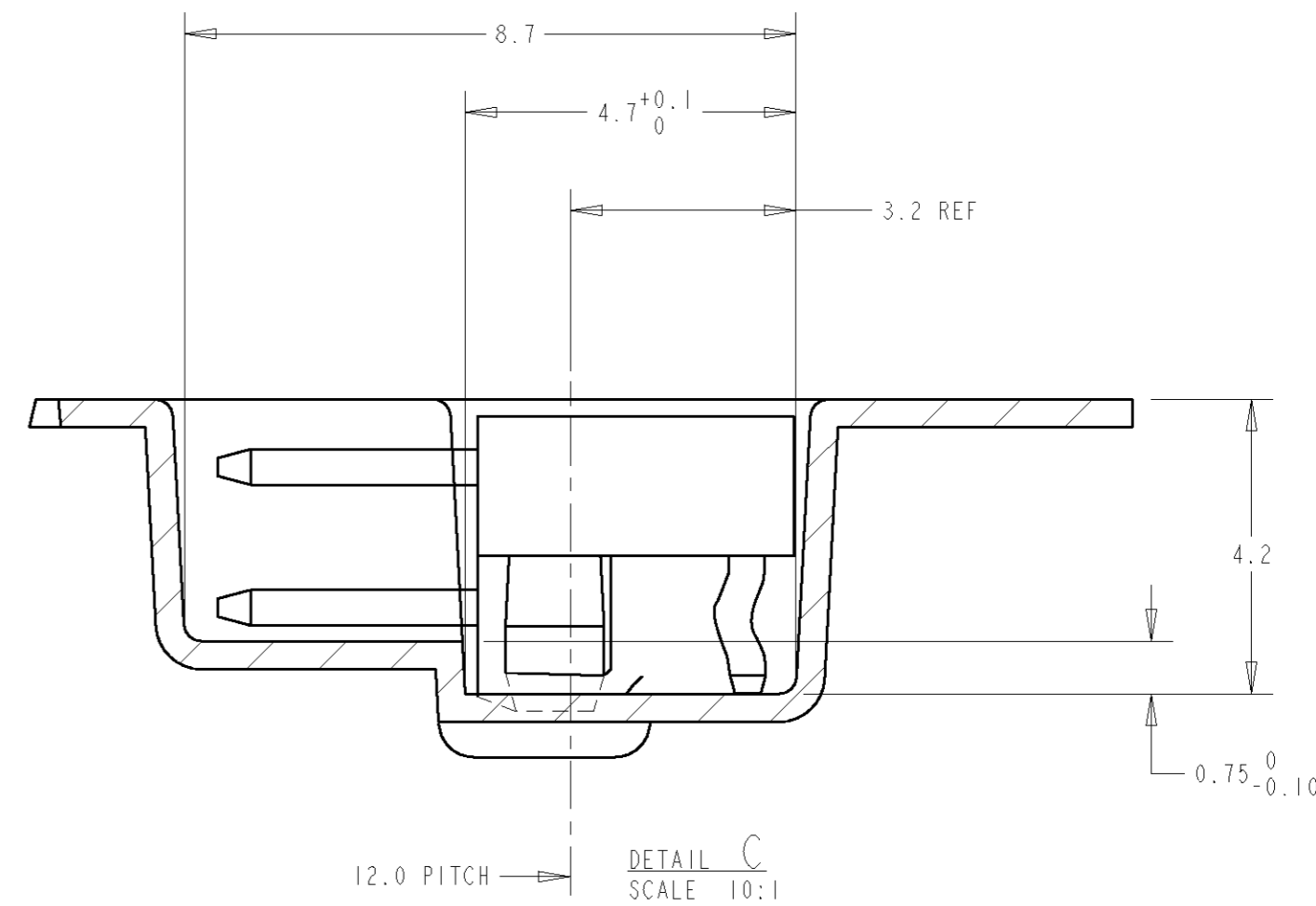
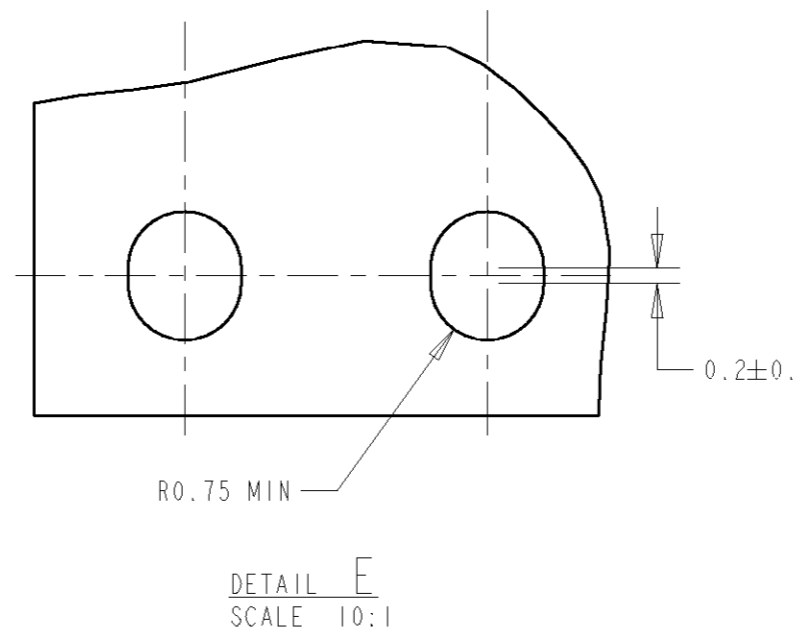
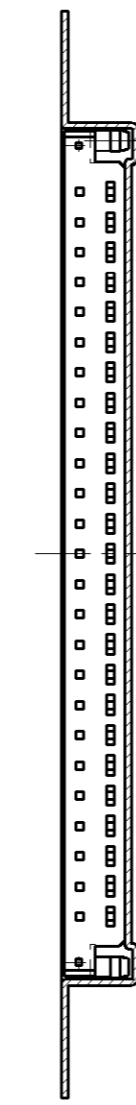
SEE DETAIL E



NOTES:

1. ALL DIMENSIONS IN MM
2. GENERAL TOL: ± 0.1mm
3. MATERIAL: HOUSING THK 0.4mm
4. PACKAGING PER REEL: 1115 POCKETS; OD: 330mm, ID: 100mm
5. QTY PER REEL: 1000 PCS
6. 10 PITCHES CUMULATIVE TOLERANCE ON TAPE ± 0.2mm
7. PEELING STRENGTH: 10g~70g  
PEELING ANGLE: 165~180  
PEELING SPEED: 300mm/MINUTE
8. TAPE & REEL PACKAGING APPLY TO P/N: 1-84108-2

TAPE & REEL PACKAGING



Copyright © 1994		Copyright © 1994 AMP MANUFACTURING (SINGAPORE) PTE. LTD. ALL RIGHTS RESERVED.		<b>AMP</b>		AMP MANUFACTURING (SINGAPORE) PTE. LTD.	
(WIRE RANGE)	(INSULATION DIA.)	(NAME)					
mm <sup>2</sup> (AWG - )	mm $\phi$	HEADER ASSEMBLY, 2mm AMPMODU SMT, R/A, D/R					
(MATERIAL)	(FINISH)	(GENERAL TOLERANCE)	SIZE	LOC	(No.)	84108	
---	---	0 < * ≤ 10 : ± 0.2	A2	DY			
SEE SHEET 1 OF 2	DR. 14.12.92 SARIATI	10 < * ≤ 30 : ± 0.25	(SCALE)	REV.	U	SHEET 2 OF 2	
LTR (REVISION RECORD)	DR CHK DATE	30 < * ≤ 100 : ± 0.3	3:1				
	CHK LEE	ANGLES : ± 3°					

CUSTOMER DRAWING