

**4 Row, Power Modules, Vertical Pin Assemblies**

**16mm Wide Body  
Pin Assemblies with Solder  
Leads and Compliant  
Press-Fit Leads  
(8 Positions)**

**Material and Finish:**

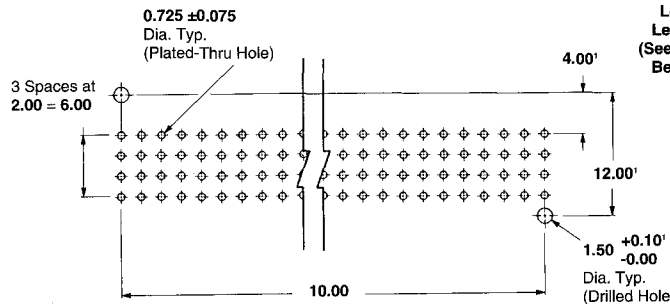
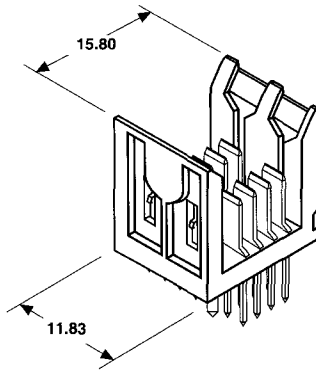
**Housing** — Liquid crystal polymer  
**Pin Contacts** — Phosphor bronze, mating surface plating conforms to all testing specified for Telcordia Uncontrolled Environment, with entire contact underplated with 0.00127 min. nickel. See customer drawing for specific lead plating.

**Related Product Data:**

- Material Specifications** — page 27
- Performance/Test Level Data** — page 27
- Compliant Press-Fit Contact Specifications** — page 28
- Application Tooling** — page 29, 30

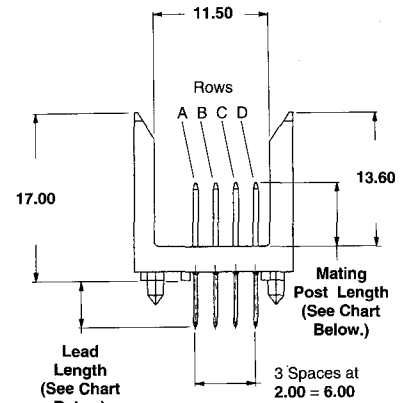
**Technical Documents  
(page 2):**

- Product Specification**  
108-1441
- Application Specification**  
114-1075
- Instruction Sheets**  
408-6927, 408-4157

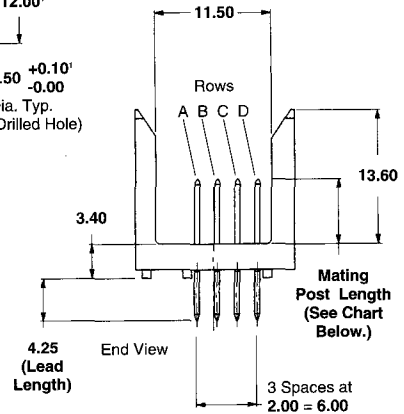


**Recommended PC Board Hole Layout  
per IPC-D-300, Type II, Class C  
(Component Side)**

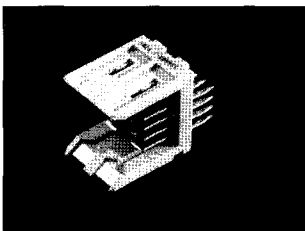
Dimensions apply to solder lead versions only.



**Solder Leads**



**Compliant Press-Fit Leads**



**Vertical Pin Assembly**

No. of Positions	Mating Post Lengths	Part Numbers			Seating Tooling
		4.25 Solder Leads	3.2 Solder Leads	Press-Fit Leads	
8	6.50	536600-1	536628-1	536603-1	58512-1
	7.25	536625-1	—	—	
	8.00	536623-1	—	536620-1	

**Note:** Seating Tooling applicable to all 8 position power headers. Contact Tyco Electronics for additional sizes (>8 positions).

\*For contact load variations (sequenced or select-load pins), use worksheets on page 23 to define your requirements.