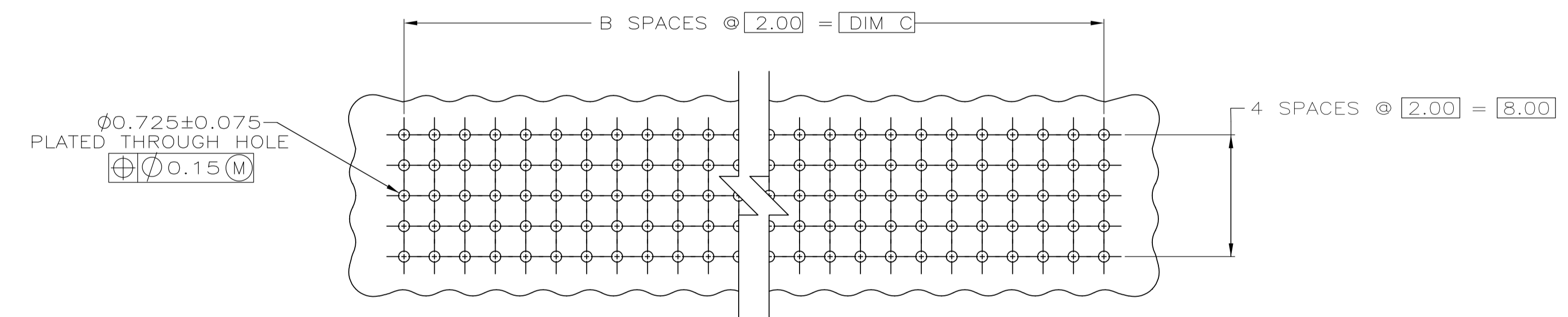
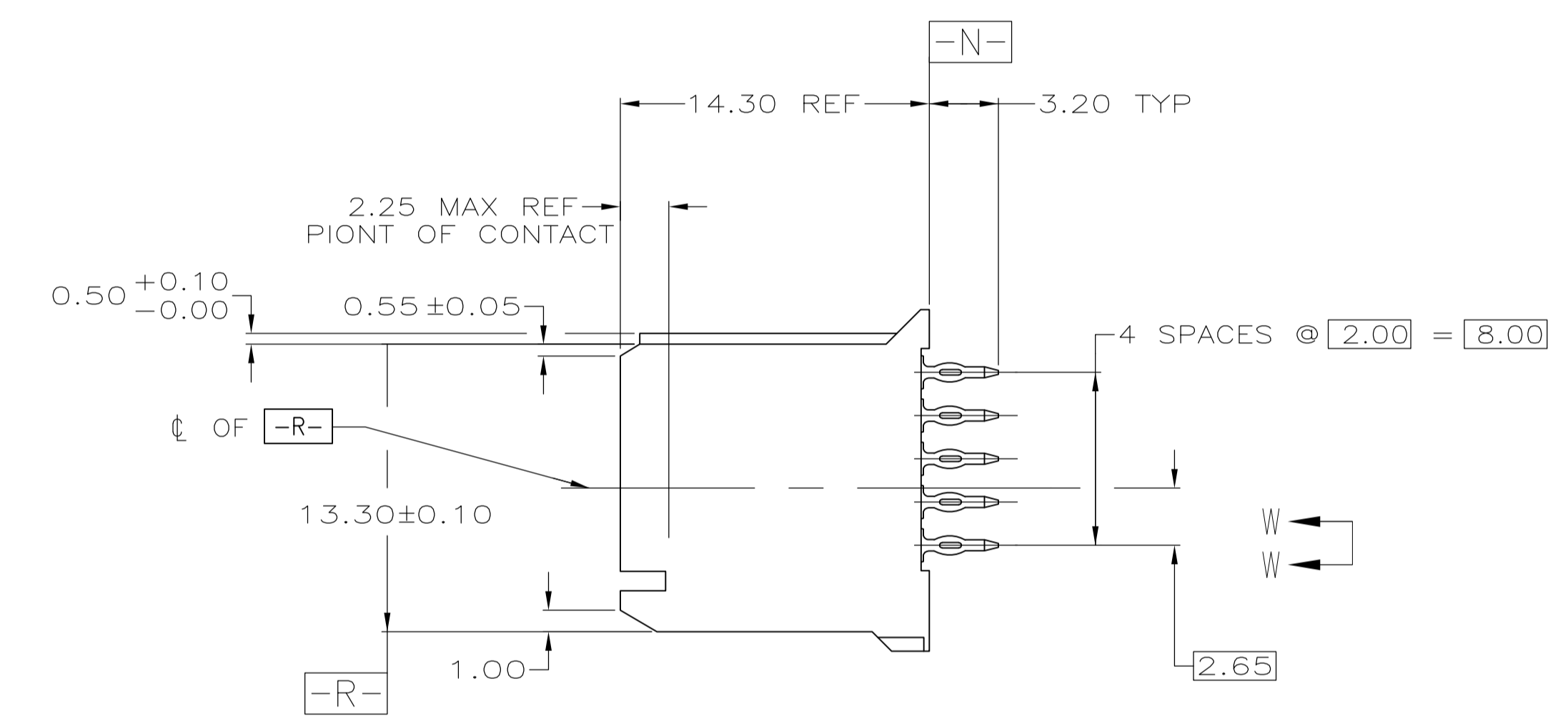
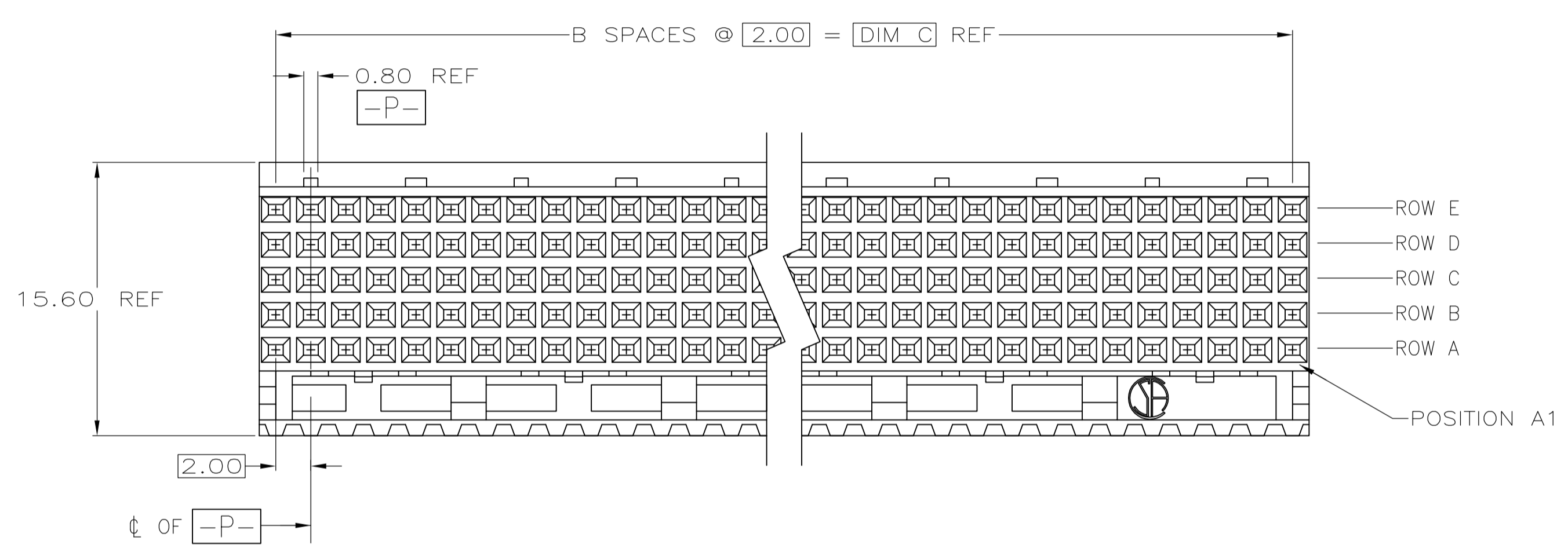
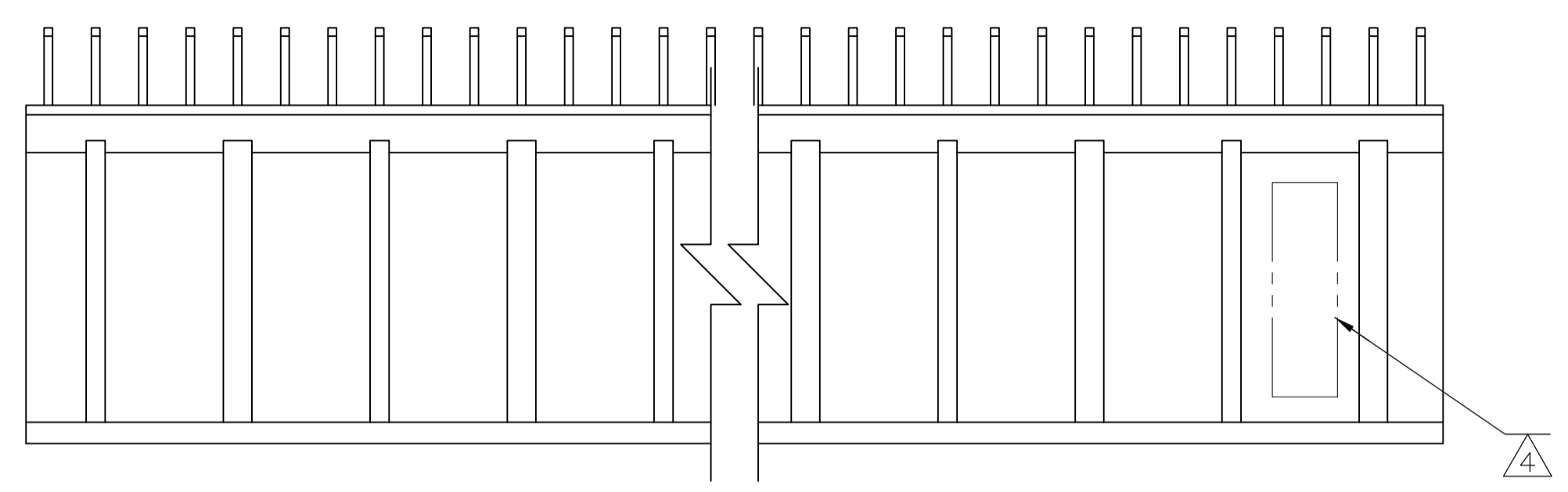
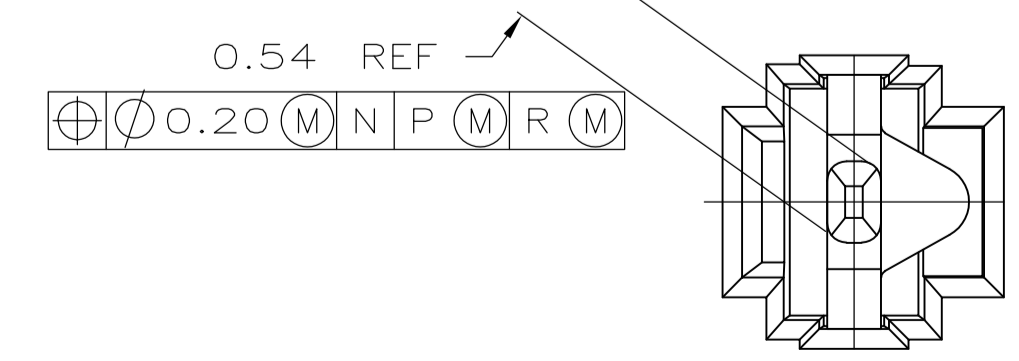
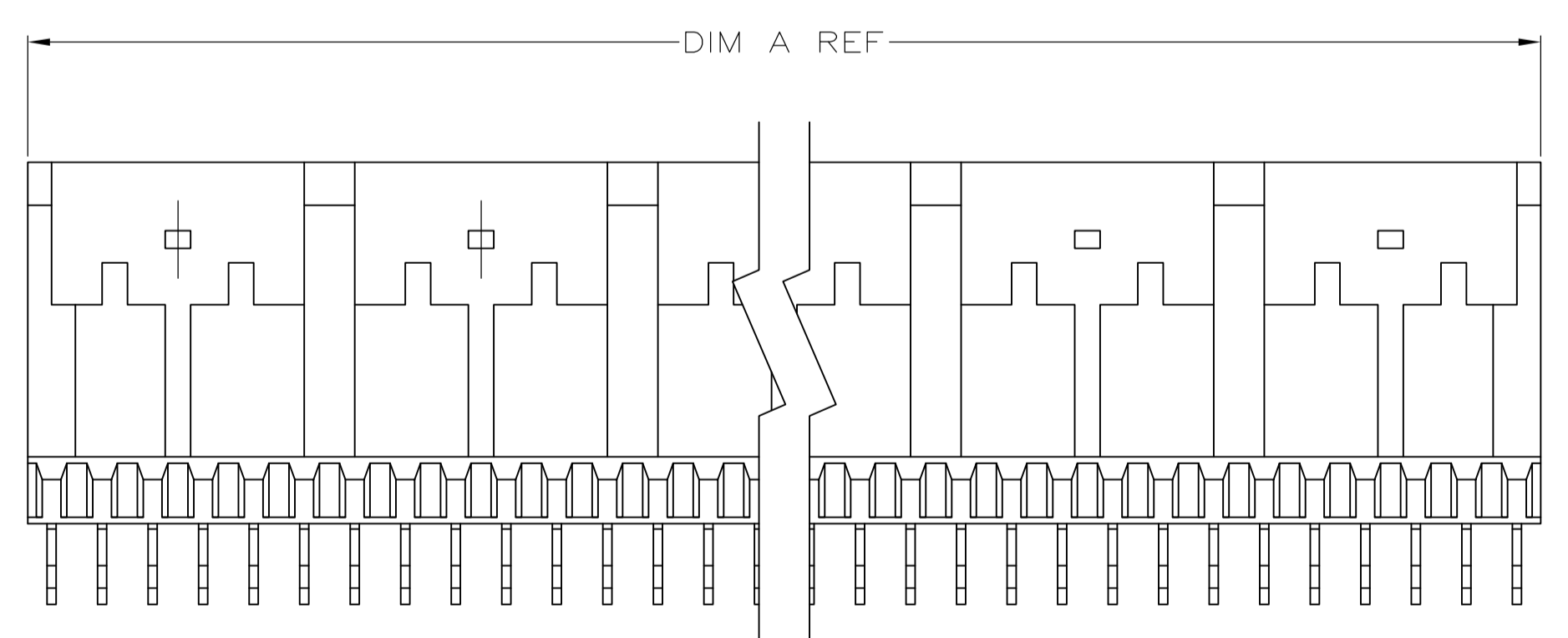


LOC		DIST		REVISIONS			
AD	47	REV	DATE	BY	CHK	APP'D	
C		REVISED PER EC 0512-0308-05	15JUL05	JDP	RW		
C1		REVISED PER ECO-09-020689	31AUG09	KK	AEG		

- △ HOUSING MATERIAL: LIQUID CRYSTAL POLYMER. COLOR: NATURAL
- △ CONTACT MATERIAL: PHOSPHOR-BRONZE
- △ CONTACT FINISH:  
 UNDERPLATE (ENTIRE CONTACT):  
 0.00127 MIN NICKEL.  
 ON MATING SURFACES:  
 CONFORMS TO ALL TESTING SPECIFIED FOR TELCORDIA UNCONTROLLED ENVIRONMENT.  
 ON LEADS:  
 0.0006 MIN TIN-LEAD OVER UNDERPLATE.  
 LUBRICATION (ENTIRE CONTACT):  
 SURFACE CONDITIONER PER AMP SPEC 112-1002 AFTER PLATING.
- △ PART MARKING PER AMP SPECIFICATION 115-9009, LOCATED APPROXIMATELY AS SHOWN.
- △ OBSOLETE PARTS: OBSOLETE CIS STREAMLINING PER D.RENAUD/D.SINISI



RECOMMENDED CIRCUIT PATTERN (COMPONENT SIDE)



VIEW W-W SCALE 20:1

△ OBSOLETE	94.00	47	95.88	240	223668-8
△ OBSOLETE	82.00	41	83.88	210	223668-7
△ OBSOLETE	70.00	35	71.88	180	223668-6
△ OBSOLETE	58.00	29	59.88	150	223668-5
△ OBSOLETE	46.00	23	47.88	120	223668-4
△ OBSOLETE	34.00	17	35.88	90	223668-3
	22.00	11	23.88	60	223668-2
	10.00	5	11.88	30	223668-1
	DIM C	B	DIM A	NUMBER OF SIGNAL POSITIONS	PART NUMBER

THIS DRAWING IS A CONTROLLED DOCUMENT. TOLERANCES UNLESS OTHERWISE SPECIFIED:

DIMENSIONS:	TOLERANCES UNLESS OTHERWISE SPECIFIED:
mm	
0. PLC	± -
1. PLC	± -
2. PLC	± 0.13
3. PLC	± -
4. PLC	± -
ANGLES	± -

MATERIAL: △△ FINISH: △

THIS DRAWING IS A CONTROLLED DOCUMENT. DSK: DSK SCHRUM 31MAY00 DJK: DJK KOVALICK 09JUN00 APVD: DJK KOVALICK 09JUN00 NAME: ASSEMBLY, RECEPTACLE, SIGNAL, VERTICAL, 5 ROW, Z-PACK 2mm FB, WITH PRESS-FIT LEADS

SIZE: A1 CAGE CODE: 00779 DRAWING NO: 223668 RESTRICTED TO: -

CUSTOMER DRAWING SCALE: 4:1 SHEET: 1 OF 1 REV: C1