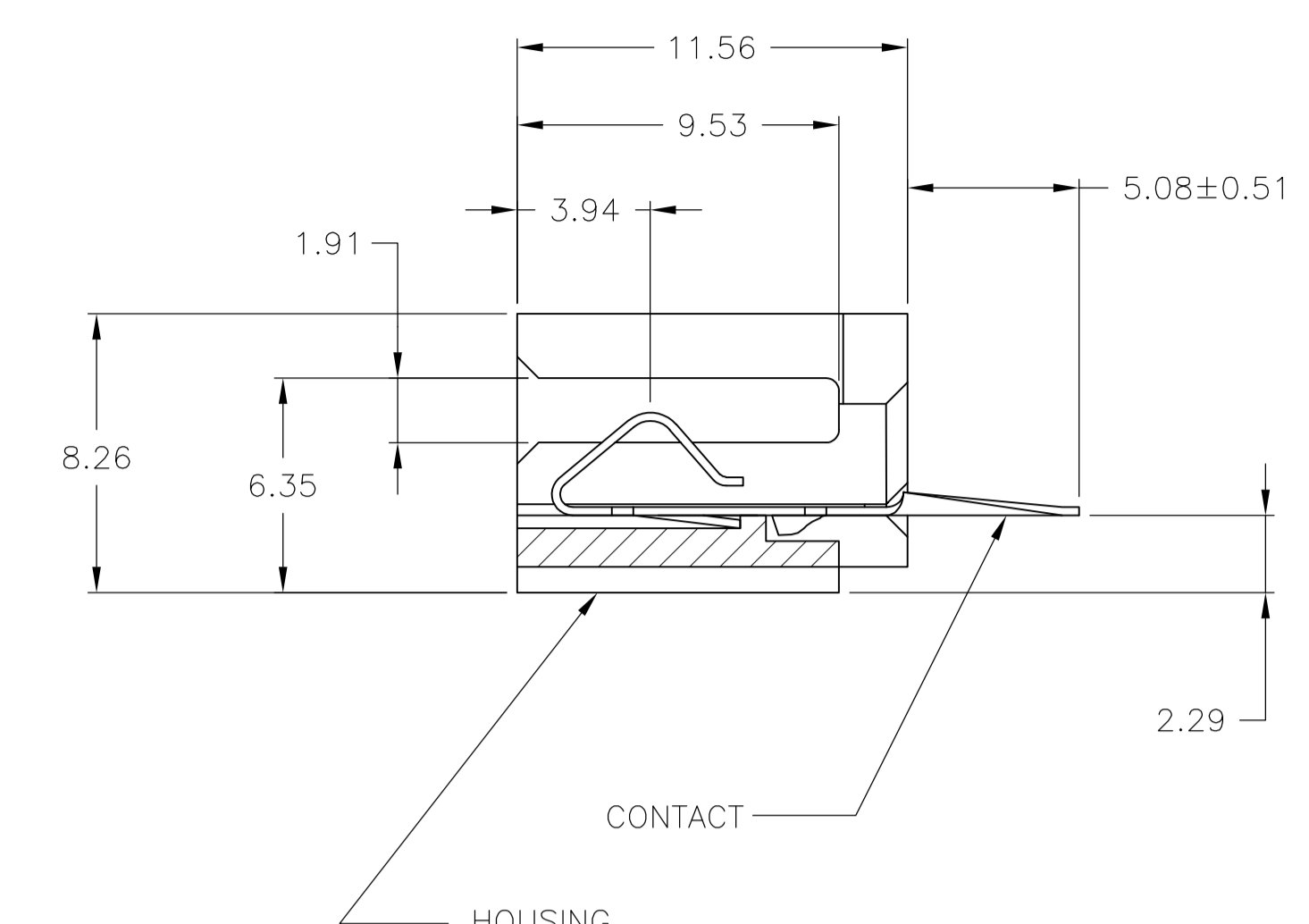
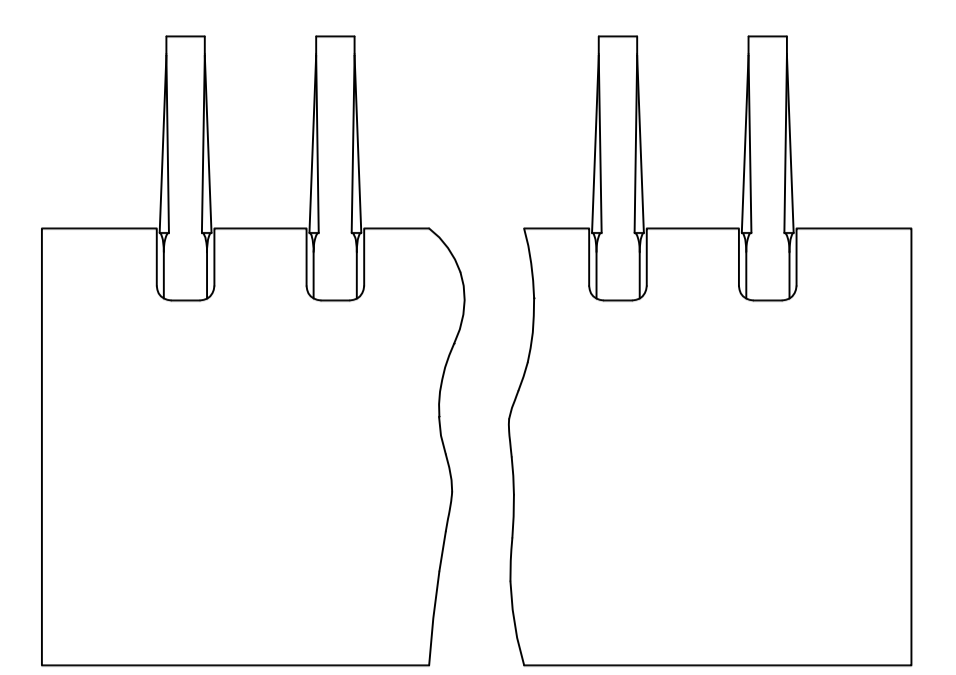
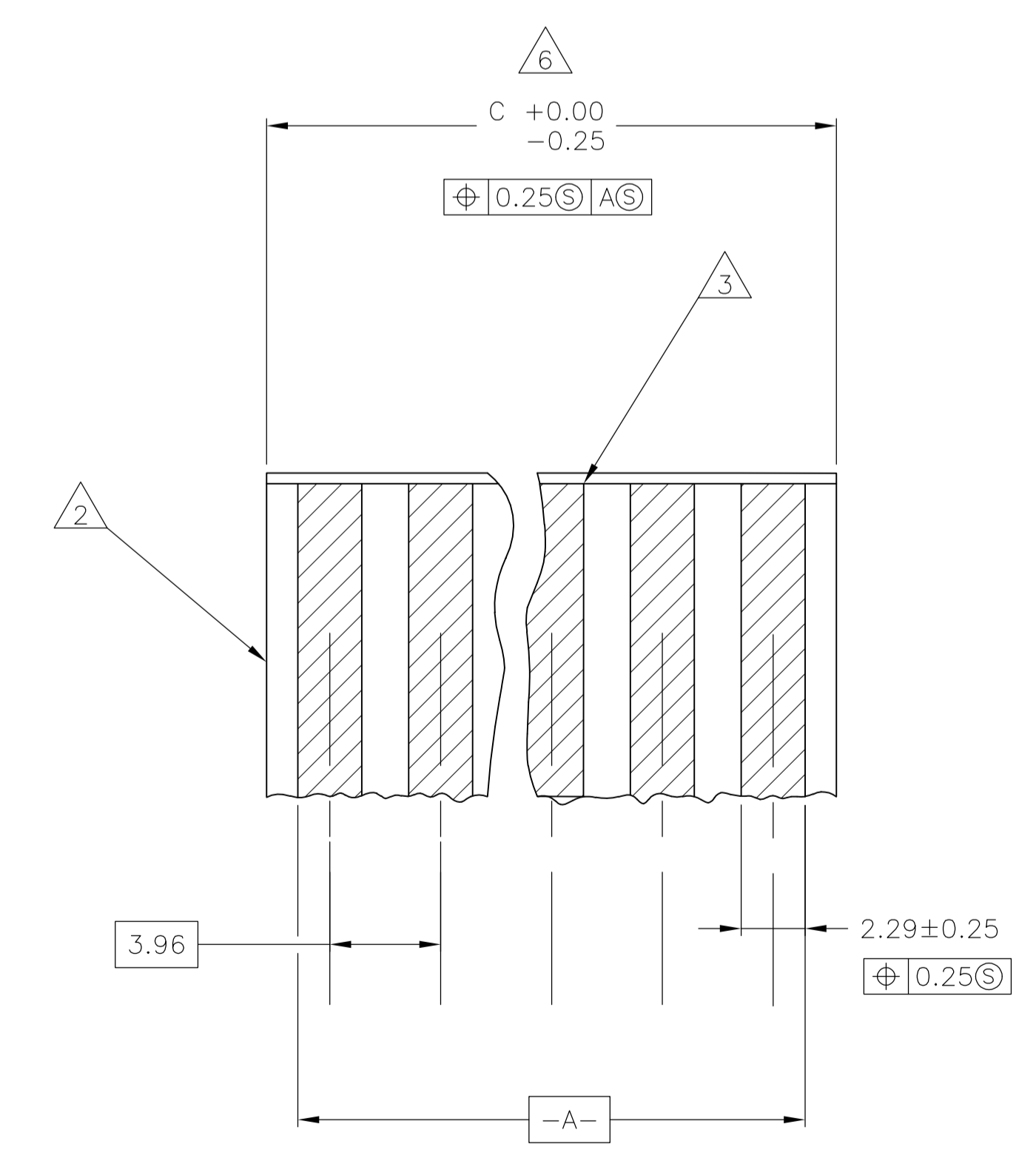
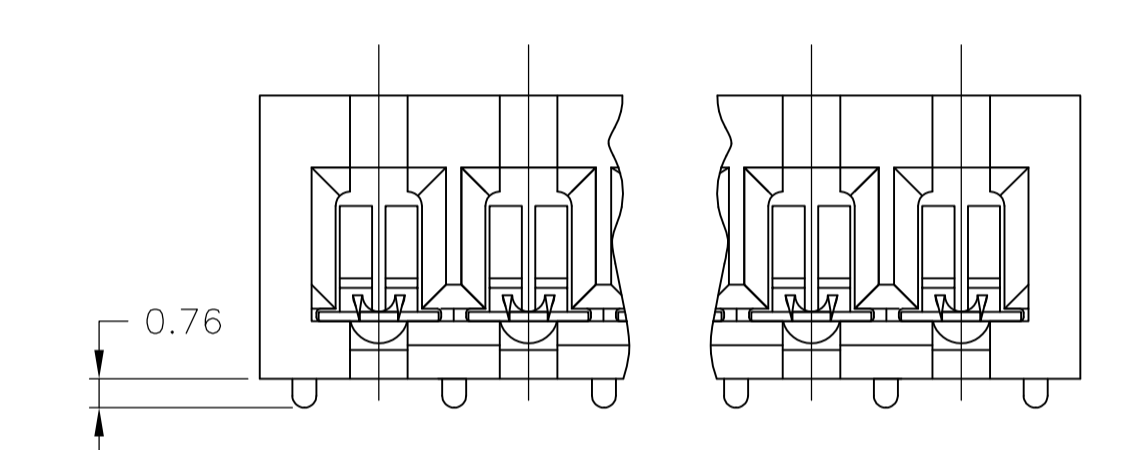
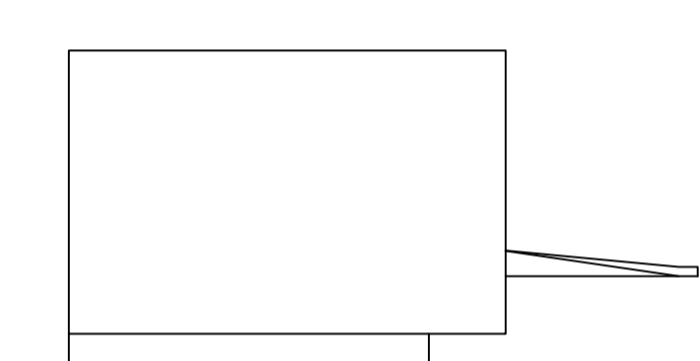
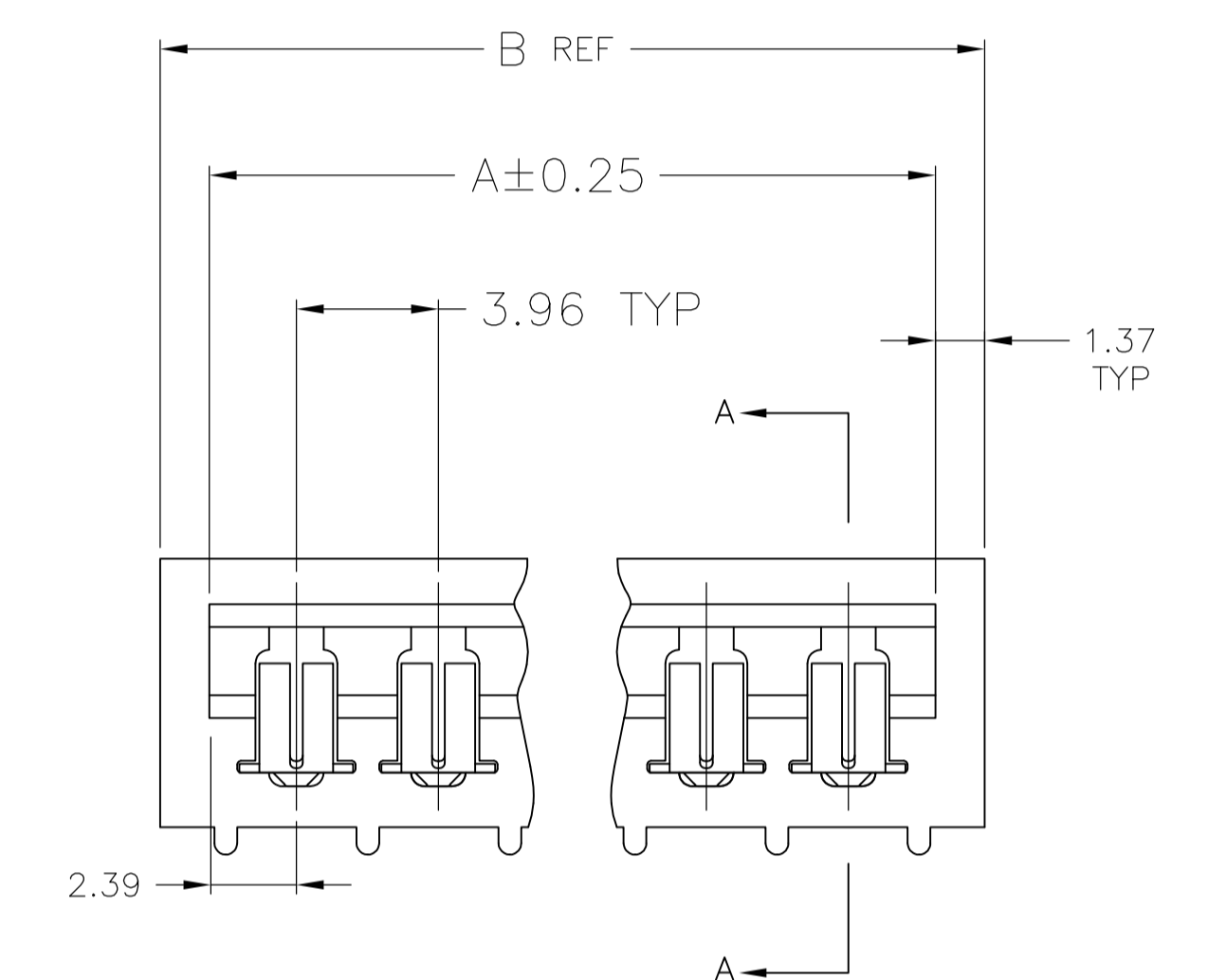


LOC		DIST		REVISIONS			
CM	52	REV	DESCRIPTION	DATE	BY	CHK	APPROV
		N1	ECO-05-013104	27JAN06	BSV	DB	
		N2	REVISED PER ECO-09-022424	22SEP09	KK	AEG	



1. RECOMMEND 1.57 DIA HOLES FOR SOLDER TAIL TABS.
2. BOARD THICKNESS TO BE 1.575±0.191 INCLUDING CIRCUITRY.
3. 0.38 MIN X 45° CHAMFER RECOMMENDED ON BOTH SIDES OF BOARD.
4. PARTS COMPLY WITH AMP SOLDERABILITY SPEC. 109-11-3.
5. MATERIAL: HOUSING-THERMOPLASTIC POLYESTER, UNREINFORCED, UL94V-0, NATURAL. CONTACT - 0.25 BRASS, BRIGHT TIN OR TIN LEAD PLATED 0.00203 MIN. THICK. SEE FINISH TABLE FOR SPECIFICS.
6. "C" DIMENSION TO BE 0.28 LESS THAN "A" DIMENSION.
7. SEE RESTRICTED CUSTOMER DRAWING 640133-7.
8. OBSOLETE PARTS: OBSOLETE CIS STREAMLINING PER D.RENAUD/D.SINISI



MM	IN	MM	IN	MM	IN	MM	IN
0.38	.015	1.91	.075	6.35	.250	-	-
0.25	.010	1.575	.0620	5.08	.200	-	-
0.191	.0075	1.57	.062	3.96	.156	-	-
0.13	.005	1.37	.054	3.94	.155	11.56	.455
0.00203	0.00080	0.76	.030	2.39	.094	9.53	.375
0.00	.000	0.51	.020	2.29	.090	8.26	.325

RECOMMENDED P.C. BOARD LAYOUT

FINISH	IN	MM	IN	MM	NUMBER OF CIRCUITS	PART NUMBER
TIN	2.014	51.16	1.906	48.41	12	4-640133-2
TIN	1.702	43.23	1.594	40.49	10	4-640133-0
TIN	1.389	35.28	1.281	32.54	8	3-640133-8
TIN	1.077	27.36	.969	24.61	6	3-640133-6
TIN-LEAD	2.014	51.16	1.906	48.41	12	1-640133-2
TIN-LEAD	1.702	43.23	1.594	40.49	10	1-640133-0
TIN-LEAD	1.389	35.28	1.281	32.54	8	640133-8
TIN-LEAD	1.077	27.36	.969	24.61	6	640133-6

METRIC

THIS DRAWING IS A CONTROLLED DOCUMENT.

DIMENSIONS: mm

TOLERANCES UNLESS OTHERWISE SPECIFIED:

0. PLC	±	-
1. PLC	±	0.13
2. PLC	±	0.13
3. PLC	±	0.13
4. PLC	±	0.13
ANGLES	±	+

MATERIAL: 5 FINISH: 5

THIS DRAWING IS A CONTROLLED DOCUMENT. DIN T. BECK 28AUG97 Tyco Electronics Corporation Harrisburg, PA 17105-3608

CHK R. SWING 28AUG97 NAME: A. REDDICK 23SEP97

PRODUCT SPEC: EDGE CONNECTOR ASSEMBLY, BIFURCATED LEAF

APPLICATION SPEC: -

SIZE: A1 CAGE CODE: 00779 DRAWING NO: 640133

WEIGHT: -

CUSTOMER DRAWING SCALE: 5:1 SHEET: 1 OF 1 REV: N2