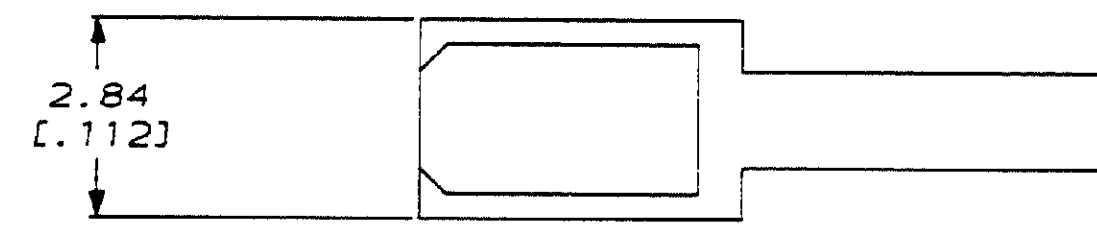
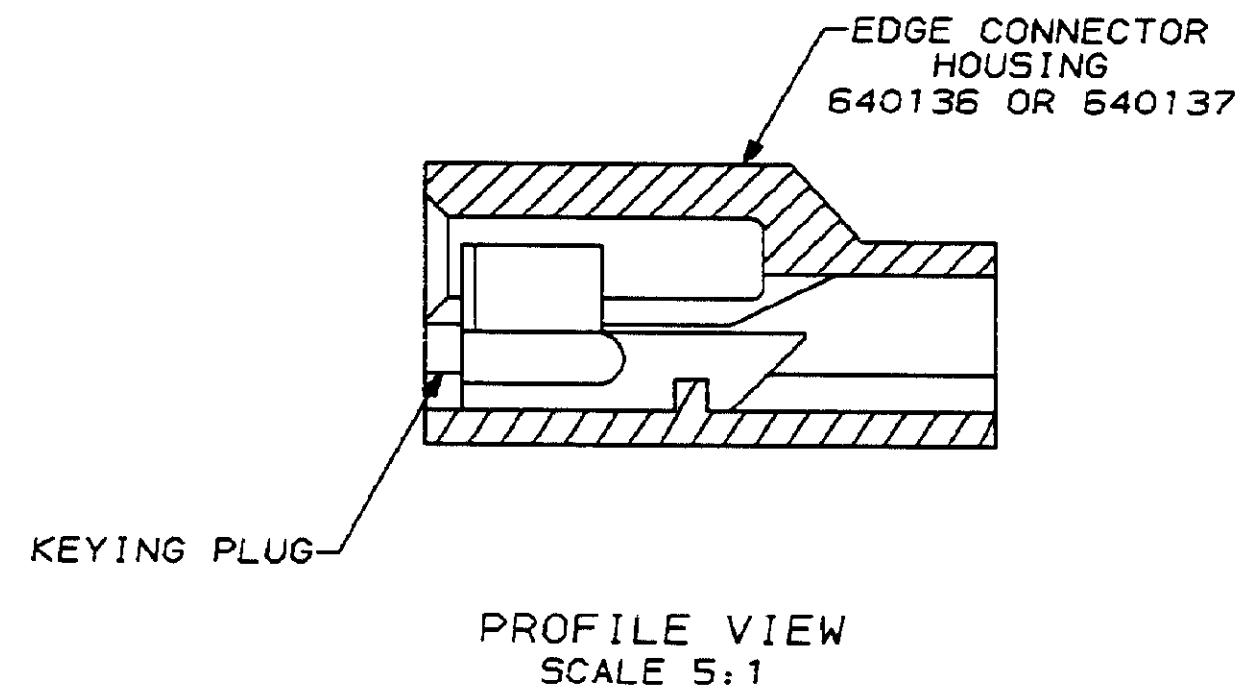
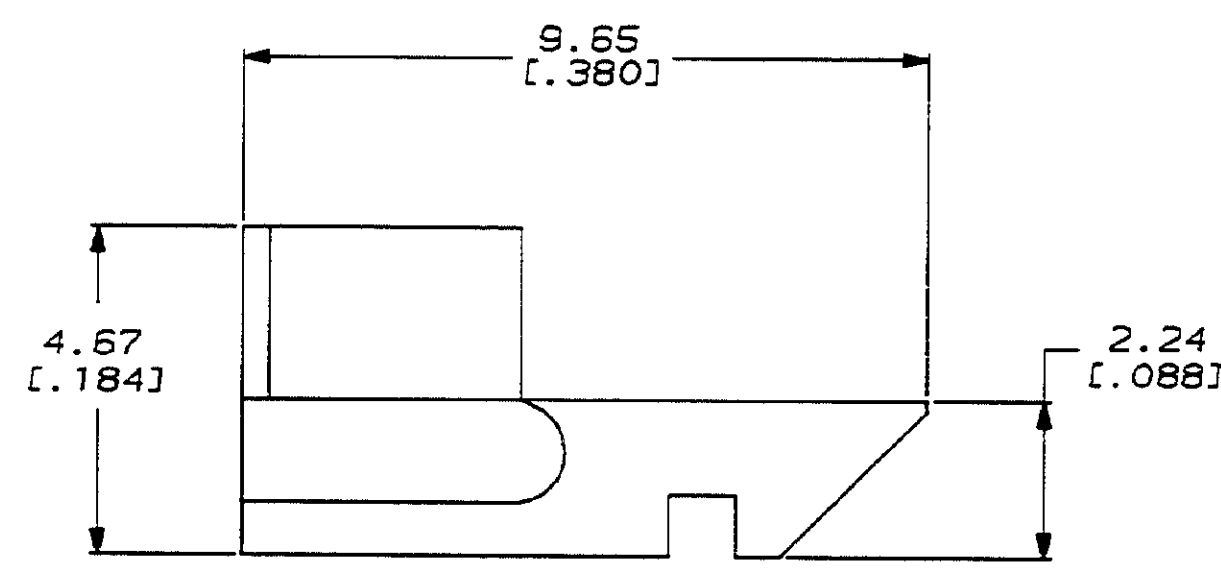
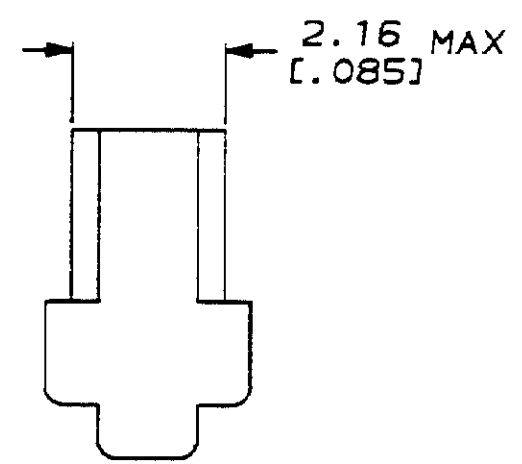


LOC	DIST	P	F	ZONE	LTR	REVISIONS		DATE	APPRO
CM	52					F	REDRAWN & REVISED PER ECN CM-11	11-21-91	KS RS



1. DIMENSIONS IN BRACKETS ARE IN INCHES.



METRIC

640180-1
PART NUMBER

DO NOT SCALE PRINT. UNLESS SPECIFIED DIMENSIONS IN INCHES. TOLERANCES ON:		DR 11-21-91 K. SALMON		PART NO	
2 PLC DEC ± 0.13 [0.005]		CHK 11-21-91 R. SWING		AMP AMP INCORPORATED Harrisburg, Pa. 17105	
3 PLC DEC ± 0.13 [0.005]		APPD 4-24-92 W. LONG		NAME KEYING PLUG, P.C. CONNECTOR, BIFURCATED LEAF	
ANGLES ±		APPD 4-24-92 W. LONG		SIZE D 00779	
MATERIAL NYLON, 94V-2 (NATURAL)		PRODUCT SPEC		DRAWING NO 640180	
FINISH		APPLICATION SPEC		SCALE 10:1	
WEIGHT				SHEET 1 OF 1	

CUSTOMER DRAWING

AMP BUSINESS GROUP 3329 1775-1 WITH SALMON