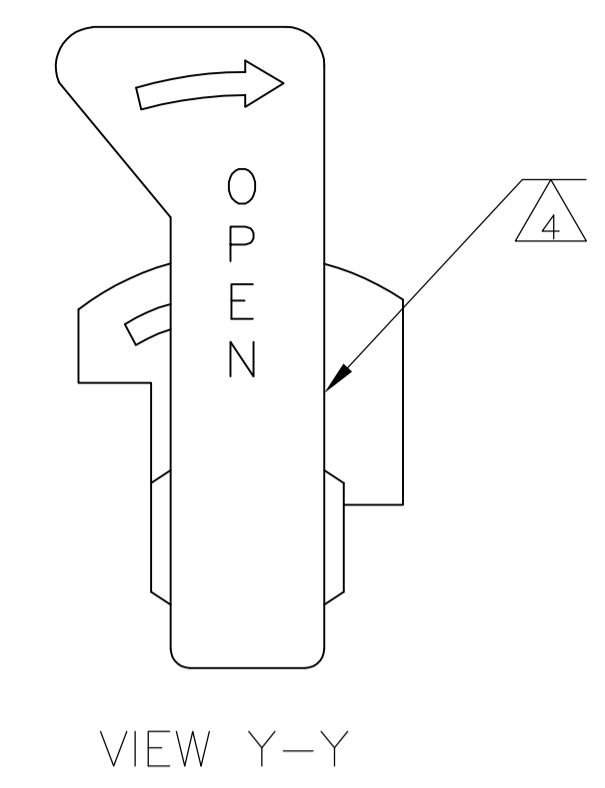
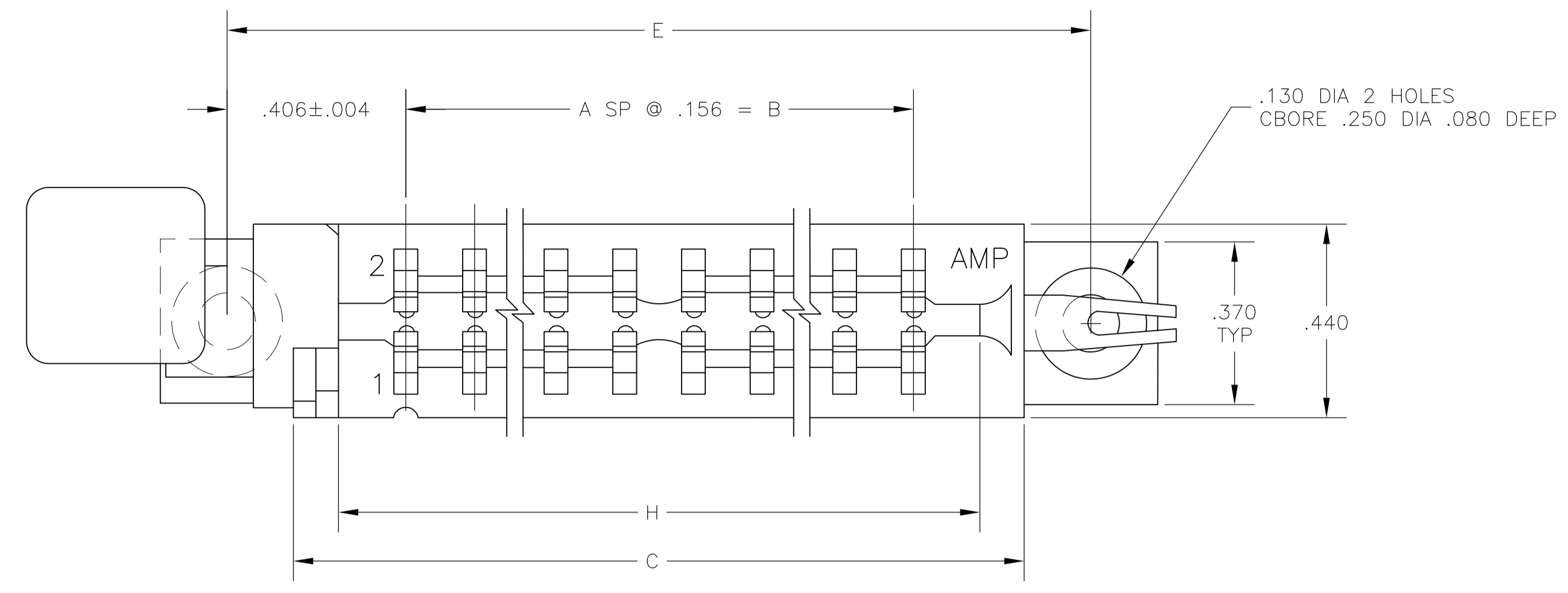
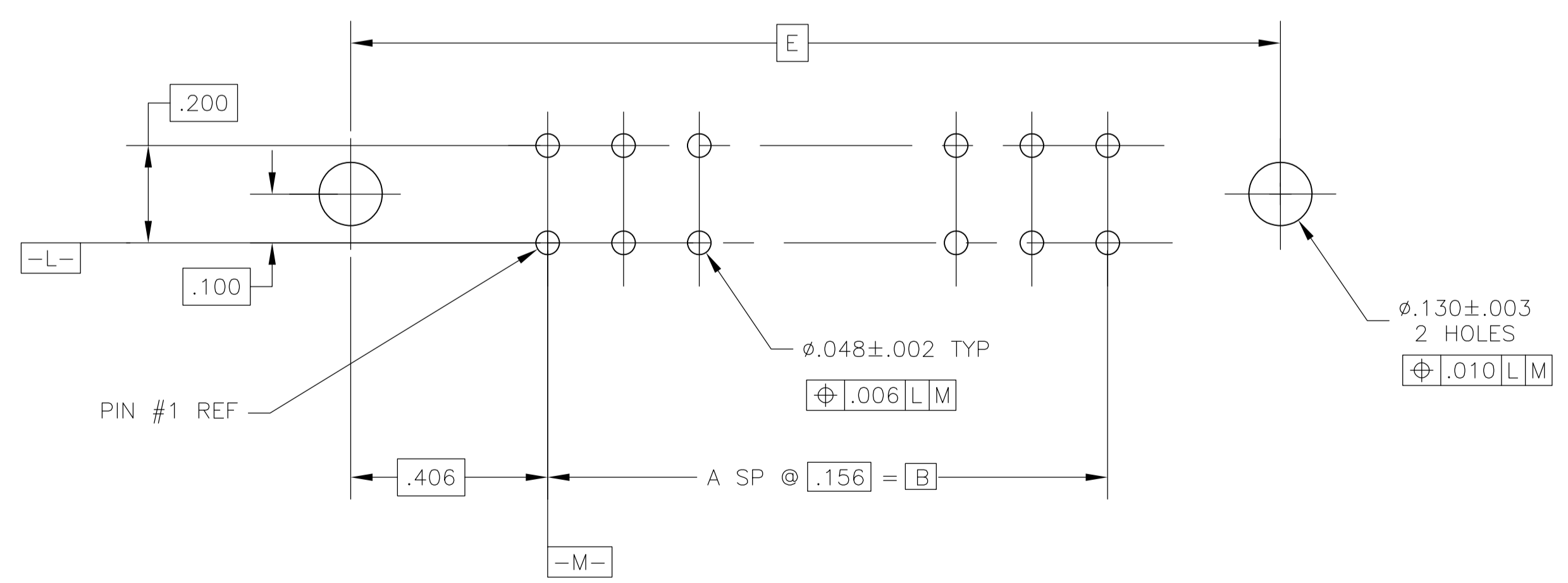
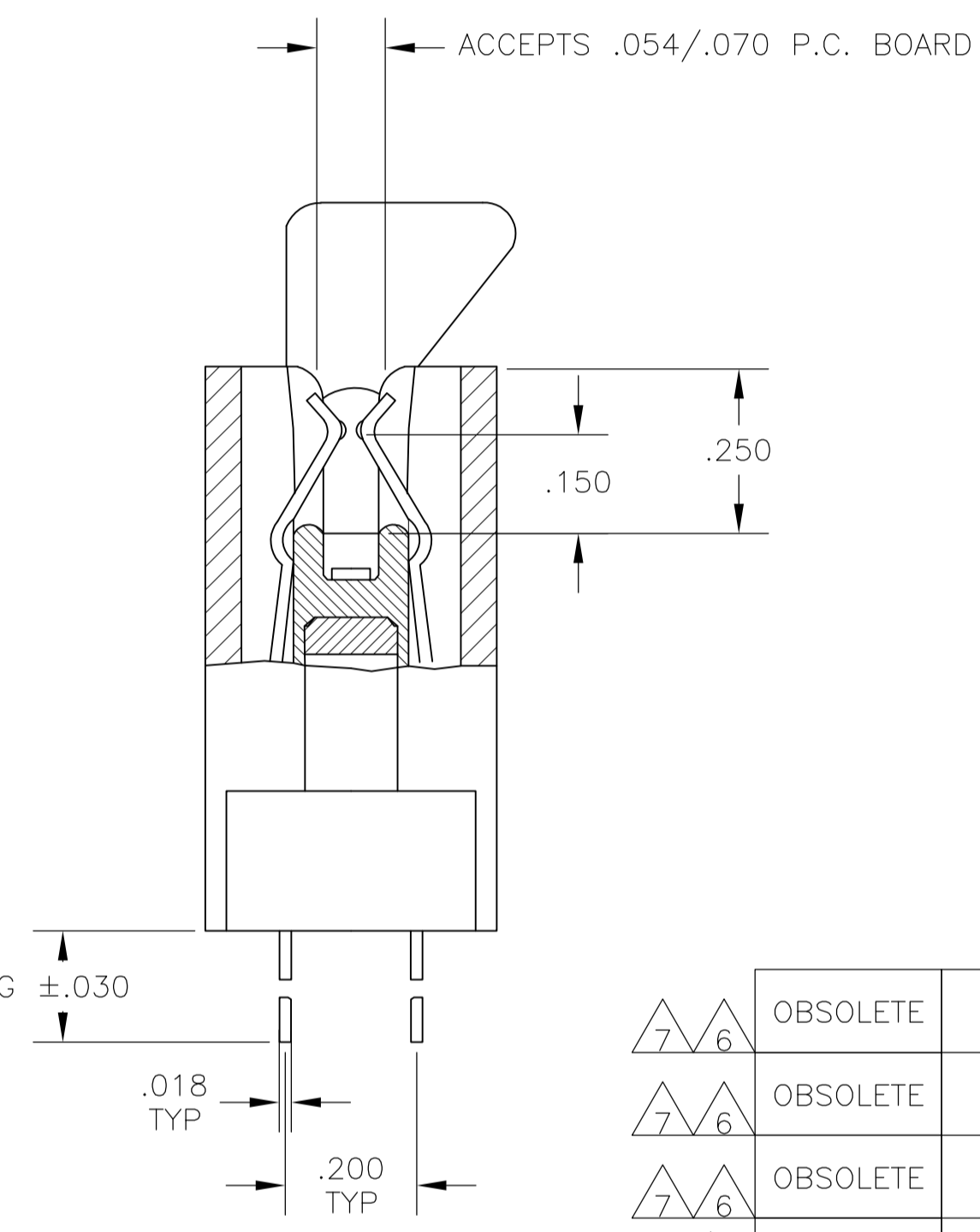
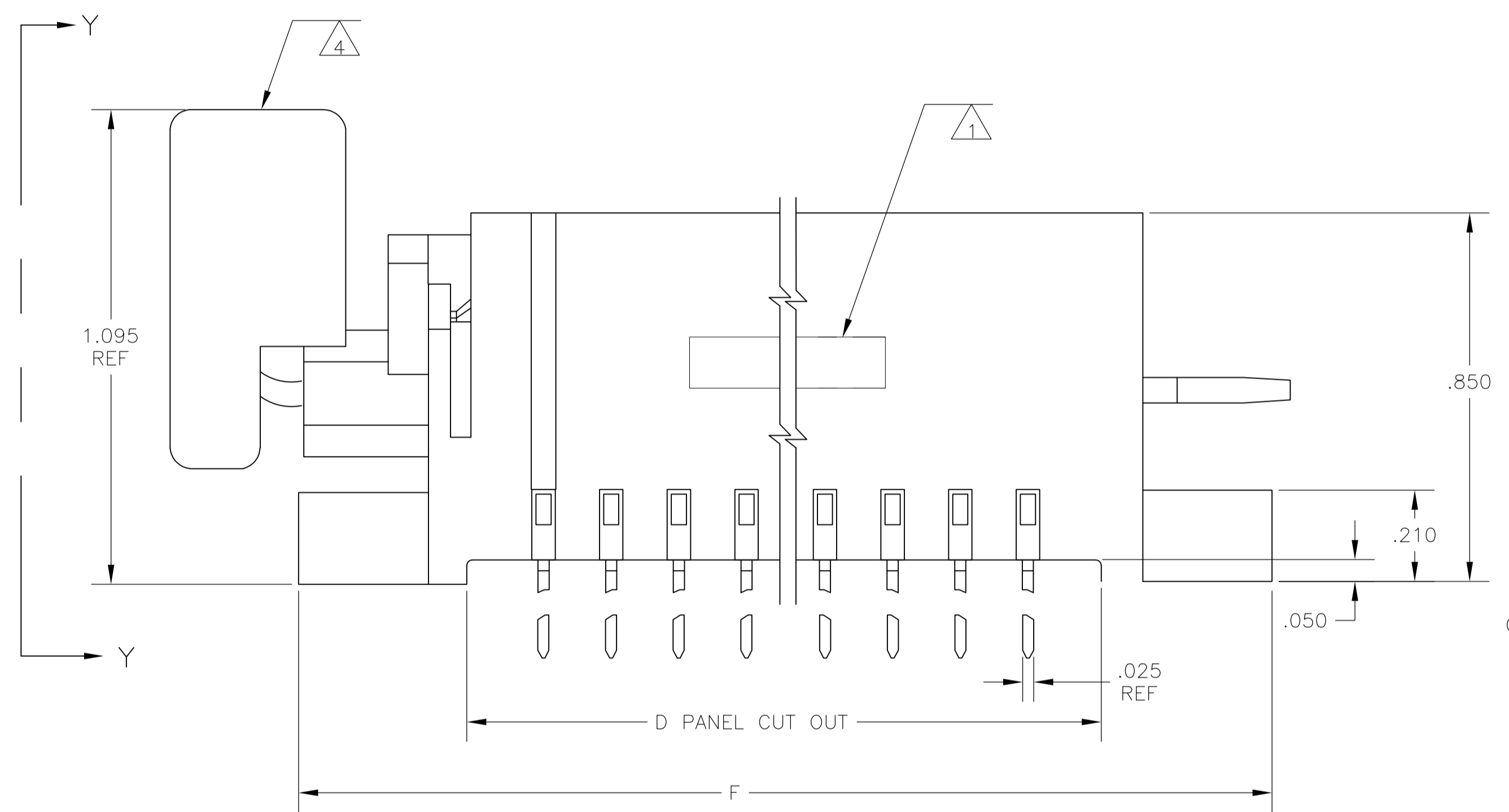


LOC		DIST		REVISIONS			
AD	00	REV	DATE	BY	CHK	APP	REV
L	EC	063C	0190	05	13MAR05	BSV	MM
L1	REV	PER	ECO-09-02	1510	12AUG09	KK	AEG



- 1 PART NUMBER AND DATE CODE STAMPED IN THIS AREA ON EITHER SIDE.
- 2 CONTACT: COPPER ALLOY  
HOUSING: GLASS FILLED POLYESTER 94 VO  
COLOR-BLACK  
CAM ROD: STAINLESS STEEL  
BOARD LOCK: GLASS FILLED POLYESTER 94 VO  
COLOR-YELLOW
- 3 CONTACT: .000050 MIN NICKEL ALL OVER  
.000030 GOLD SELECTIVE PLATED IN CONTACT AREA TIN PLATED POST
- 4 CAM ROD AND BOARD LOCK SHIPPED WITH EACH CONNECTOR. ROTATE IN DIRECTION OF ARROW TO OPEN.
- 5 ASSEMBLY DOES NOT INCLUDE CAM ROD & BOARD LOCK
- 6 CONTACT: .000050 MIN NICKEL ALL OVER  
.000030 GOLD SELECTIVE PLATED IN CONTACT AREA MATTE TIN PLATED POST
- 7 OBSOLETE PARTS: OBSOLETE CIS STREAMLINING PER D.RENAUD/D.SINISI



7 6	OBSOLETE	3.588	.160	4.388	4.088	3.588	3.788	3.276	21	22/44	5-531025-9
7 6	OBSOLETE	6.864	.125	7.664	7.364	6.864	7.064	6.552	42	43/86	5-531025-6
7 6	OBSOLETE	3.588	.125	4.388	4.088	3.588	3.788	3.276	21	22/44	5-531025-3
5	OBSOLETE	6.864	.160	7.664	7.364	6.864	7.064	6.552	42	43/86	1-531025-3
	OBSOLETE	6.864	.160	7.664	7.364	6.864	7.064	6.552	42	43/86	1-531025-2
	OBSOLETE	5.772	.160	6.572	6.272	5.772	5.972	5.460	35	36/72	1-531025-1
7 3	OBSOLETE	3.588	.160	4.388	4.088	3.588	3.788	3.276	21	22/44	531025-9
	OBSOLETE	2.964	.160	3.764	3.464	2.964	3.164	2.652	17	18/36	531025-8
3	OBSOLETE	6.864	.125	7.664	7.364	6.864	7.064	6.552	42	43/86	531025-6
	OBSOLETE	5.772	.125	6.572	6.272	5.772	5.972	5.460	35	36/72	531025-5
	OBSOLETE	4.524	.125	5.324	5.024	4.524	4.724	4.212	27	28/56	531025-4
7 3	OBSOLETE	3.588	.125	4.388	4.088	3.588	3.788	3.276	21	22/44	531025-3
	OBSOLETE	2.946	.125	3.764	3.464	2.946	3.164	2.652	17	18/36	531025-2
	OBSOLETE	2.496	.125	3.296	2.996	2.496	2.696	2.104	14	15/30	531025-1
		H	G	F	E	D	C	B	A	POSITION	PART NO

RECOMMENDED P.C. BOARD LAYOUT

THIS DRAWING IS A CONTROLLED DOCUMENT.

DIMENSIONS: INCHES	TOLERANCES UNLESS OTHERWISE SPECIFIED:	DIN L WAREHAM MAY88	CHIK D GORNEC MAY88	APPRO D GORNEC MAY88	NAME
0 PLC ± -	1 PLC ± -	Tyco Electronics Corporation Harrisburg, Pa 17105-3608			
2 PLC ± -	3 PLC ± .010	ROTARY ZIF ASSEMBLY .156 x .200, SOLDER POST OPEN ONE END			
4 PLC ± -	ANGLES ± -	SIZE	CAGE CODE	DRAWING NO	RESTRICTED TO
MATERIAL	FINISH	WEIGHT	A1	00779	531025
CUSTOMER DRAWING		SCALE	4:1	SHEET	1 OF 1