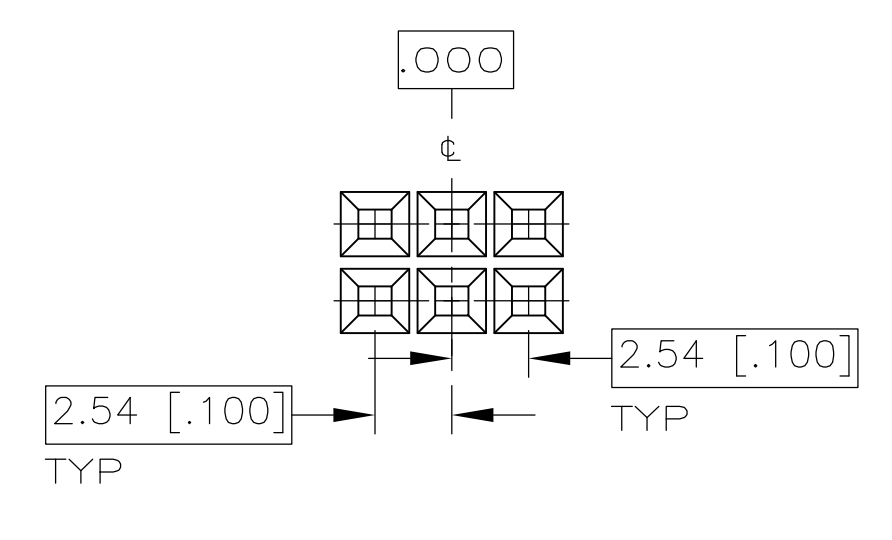
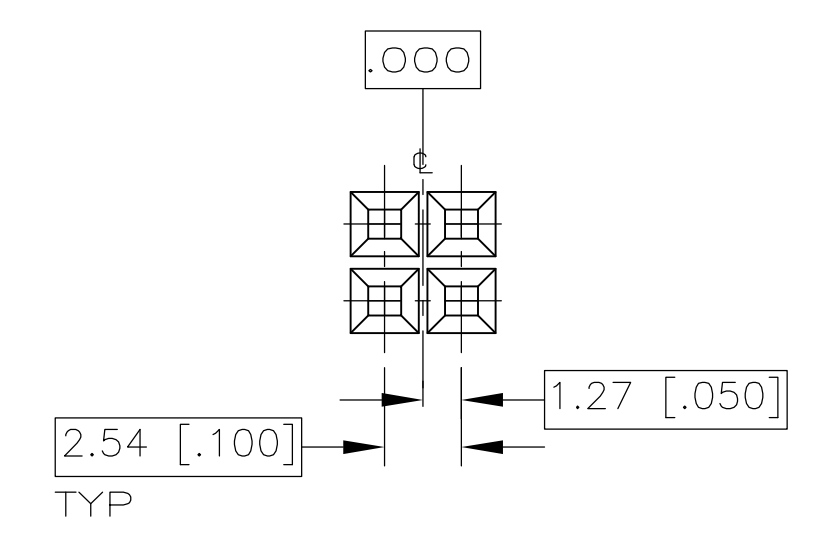
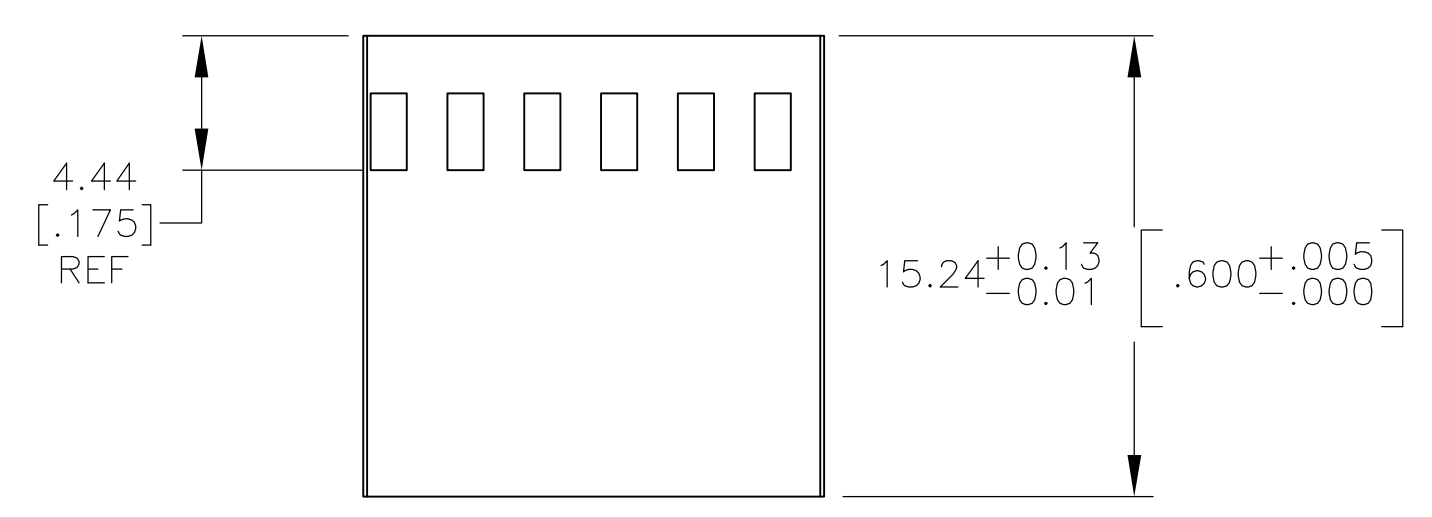
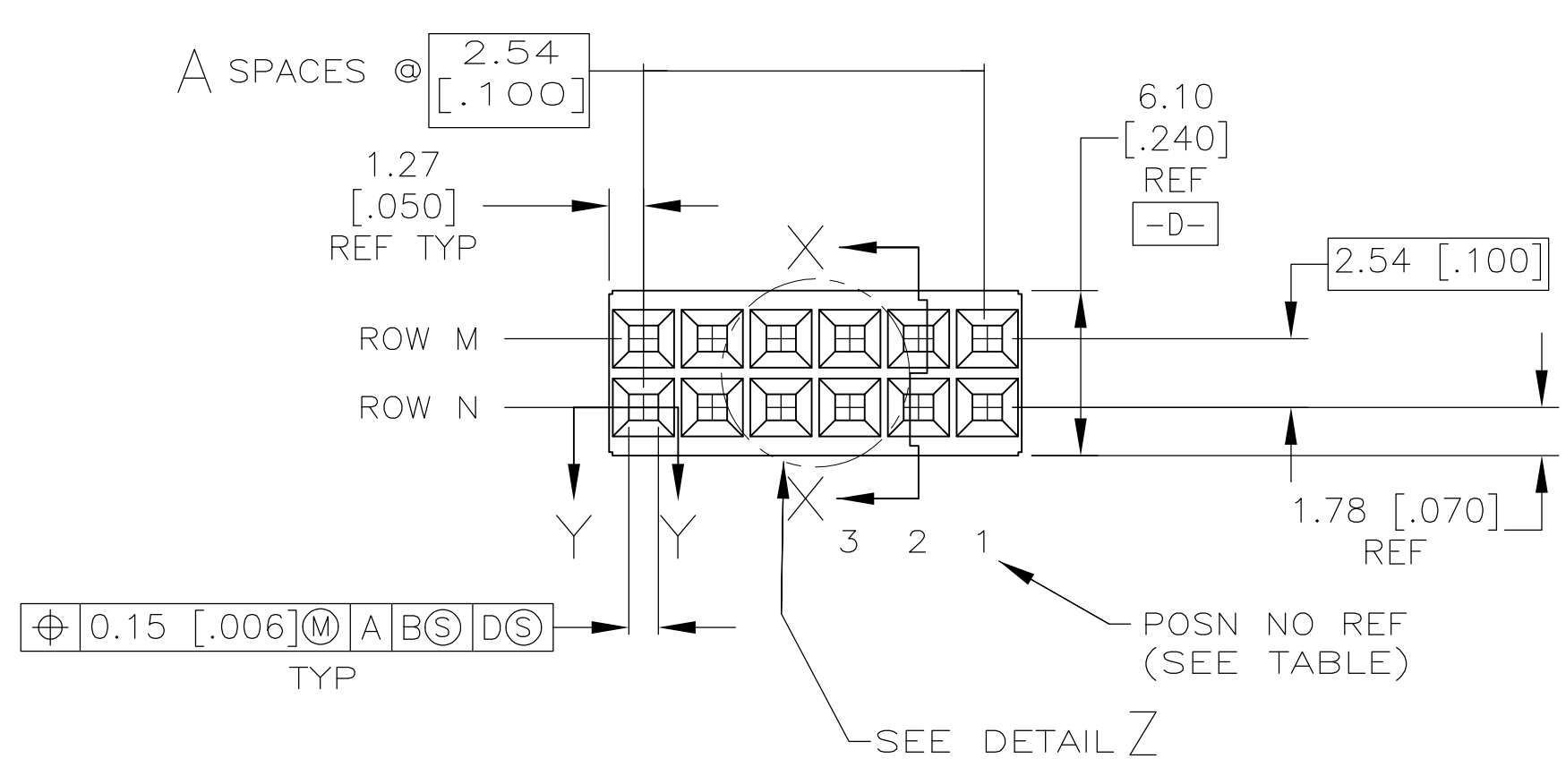
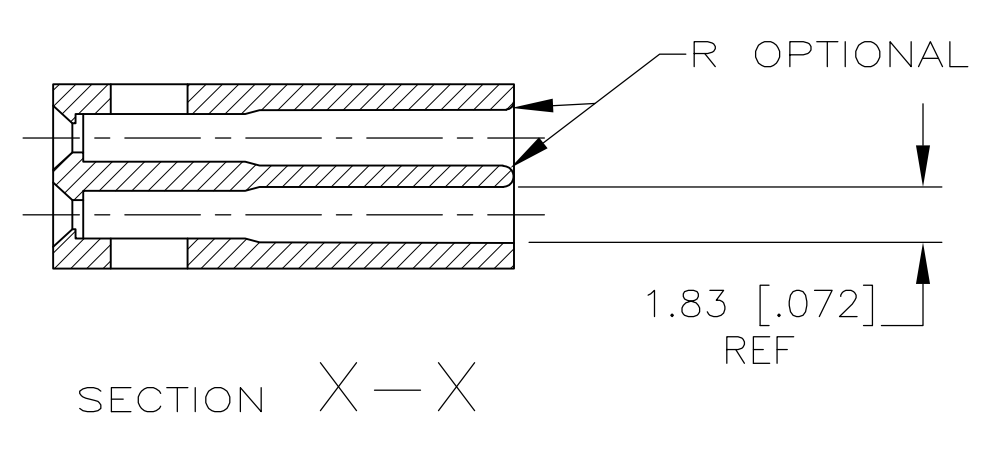
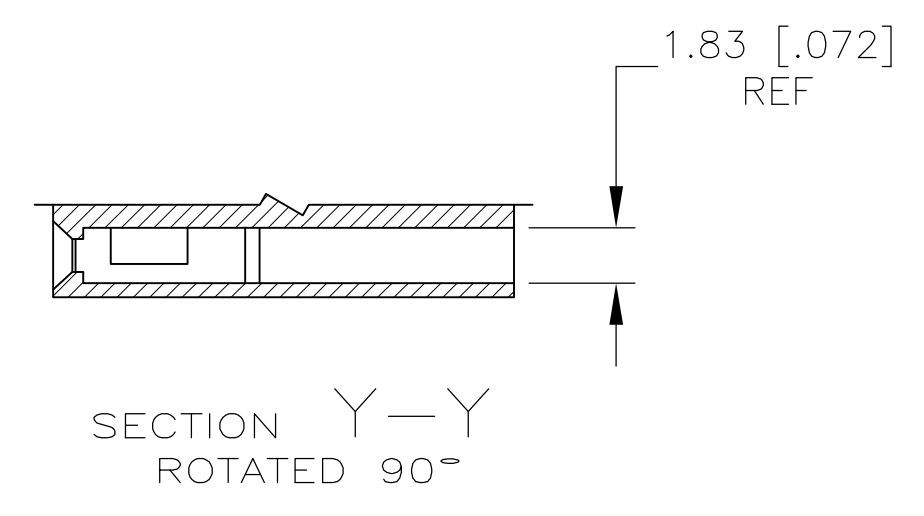
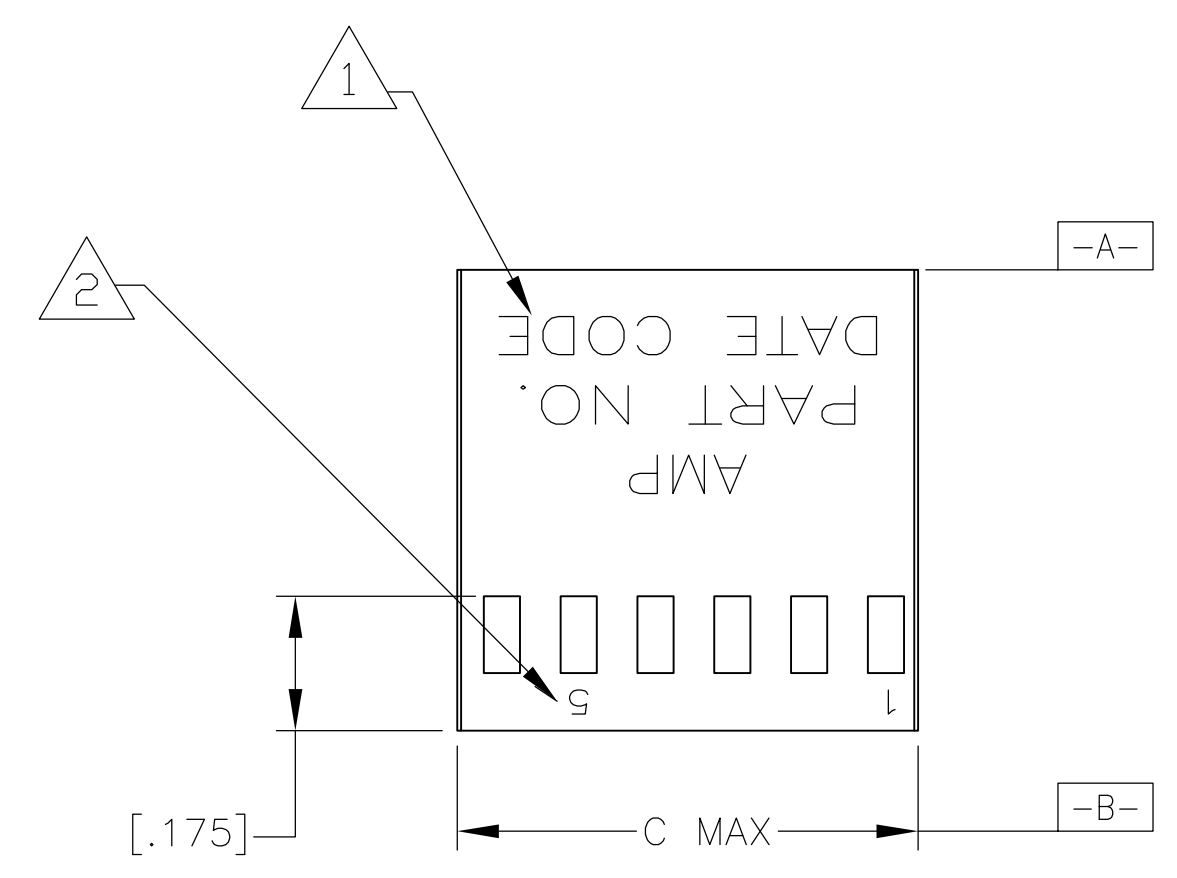


LOC		DIST		REVISIONS			
AD	39	REV	DATE	BY	CHK	APPV	
D		REV PER 0G3C-0203-04	14OCT04	JR	DS		
D1		REVISED PER ECO-09-020689	02SEP09	KK	AEG		

- 1 "AMP", PART NO. AND DATE CODE MARKED (WHITE), .062±.015 CHARS. WHEN HOUSING SIZE PERMITS
- 2 .046±.015 CHARS. MARKED (WHITE) FIRST AND EVERY 5TH CAVITY, ONE SIDE.
- 3 PRELIMINARY PART - NOT RELEASED FOR PRODUCTION.
- 4 GLASS FILL NYLON, COLOR-BLACK PER ASTM D4066
- 5 OBSOLETE PARTS: OBSOLETE CIS STREAMLINING PER D.RENAUD/D.SINISI



5	OBSOLETE	7	-	UNMARKED	20.45 [.805]	7	16	147019-6
3		7	-	MARKED	20.45 [.805]	7	16	147019-5
5	OBSOLETE	-	5	UNMARKED	12.83 [.505]	4	10	147019-4
3		-	5	MARKED	12.83 [.505]	4	10	147019-3
		6	4	UNMARKED	15.37 [.605]	5	12	147019-2
5	OBSOLETE	6	4	MARKED	15.37 [.605]	5	12	147019-1
		ROW M	ROW N	DESCRIPTION	C	A	NO OF POSN	PART NUMBER
		POSITION CLOSED						

THIS DRAWING IS A CONTROLLED DOCUMENT.

DIN E BRANDBERG 23-JUN-97  
 CHK: B SPINK 23-JUN-97  
 APVD: B SPINK 23-JUN-97

AMP Tyco Electronics Corporation  
 Harrisburg, PA 17105

NAME: HOUSING, MOD IV, DOUBLE ROW, 2.54[.100] X 2.54[.100] C/L, CRIMP SNAP-IN, SHORT ENTRY, WITH POSITIONS MOLDED CLOSED

PRODUCT SPEC: -  
 APPLICATION SPEC: -  
 SIZE: A1 00779 C=147019  
 WEIGHT: -  
 CUSTOMER DRAWING

SCALE: 4:1 SHEET: 1 OF 1 REV: D1