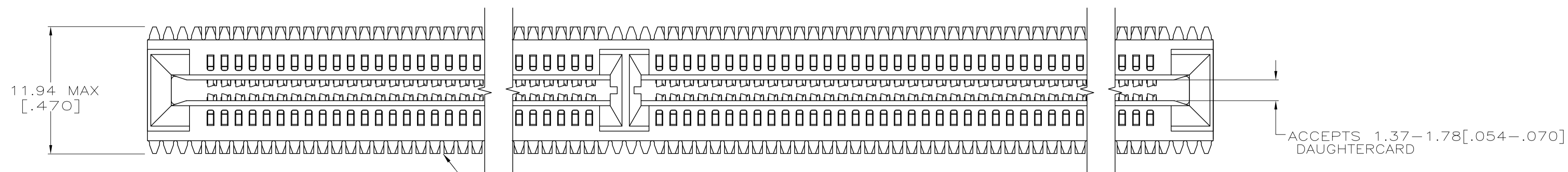


LOC	DIST	REVISIONS			
P	LTR	DESCRIPTION	DATE	DWN	APVD
K		ECO-08-003164	15FEB2008	LAM	PR
K1		REVISED PER ECO-10-000443	13JAN10	KK	AEG

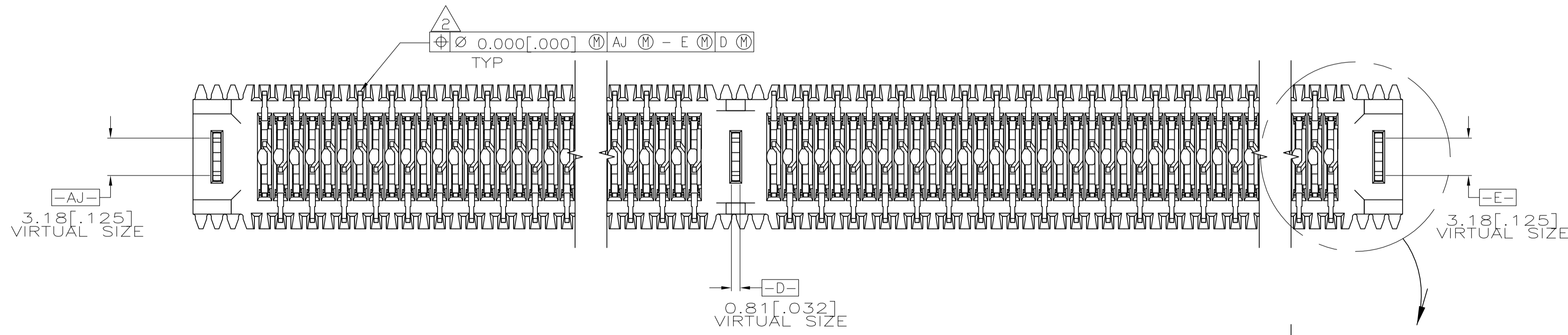
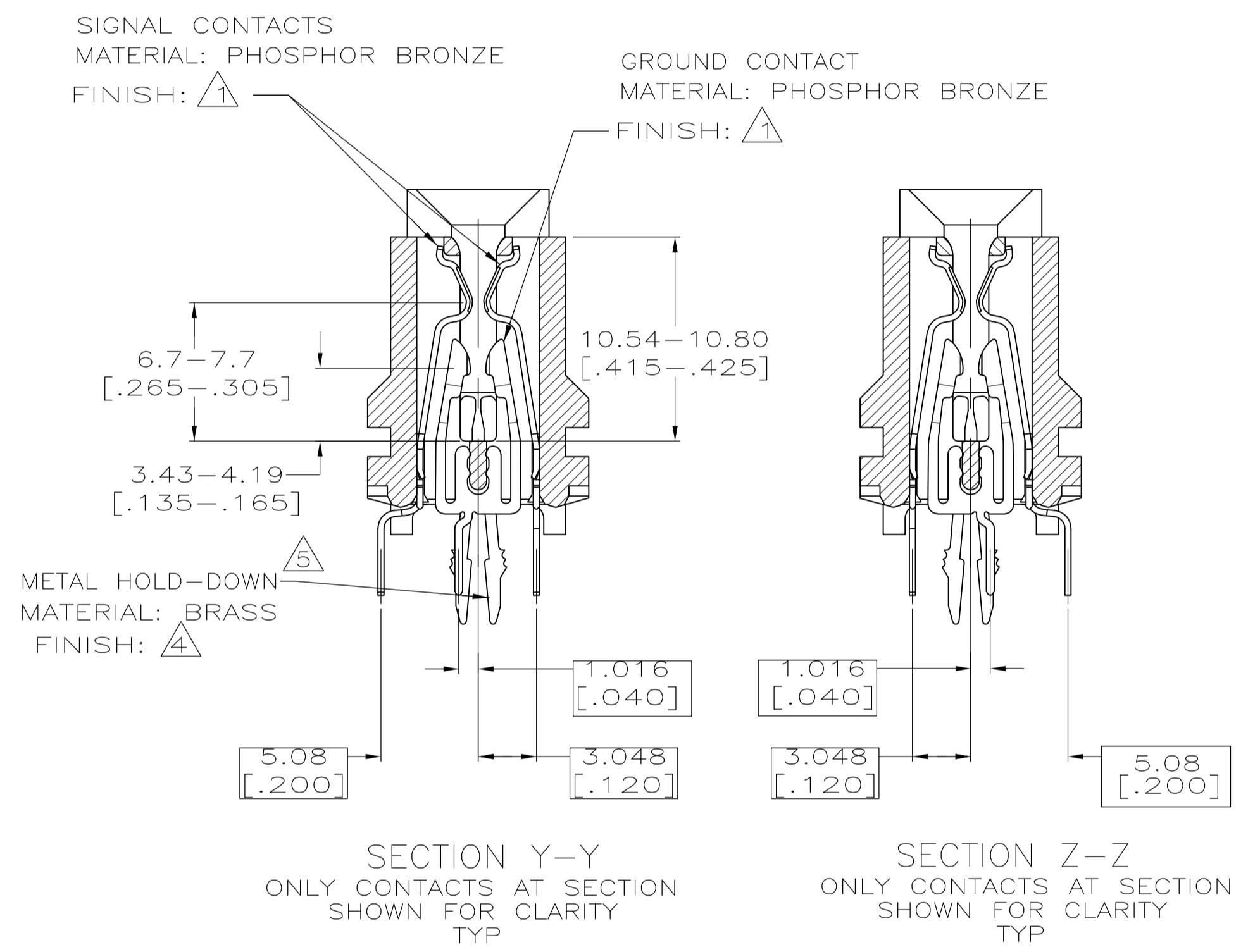
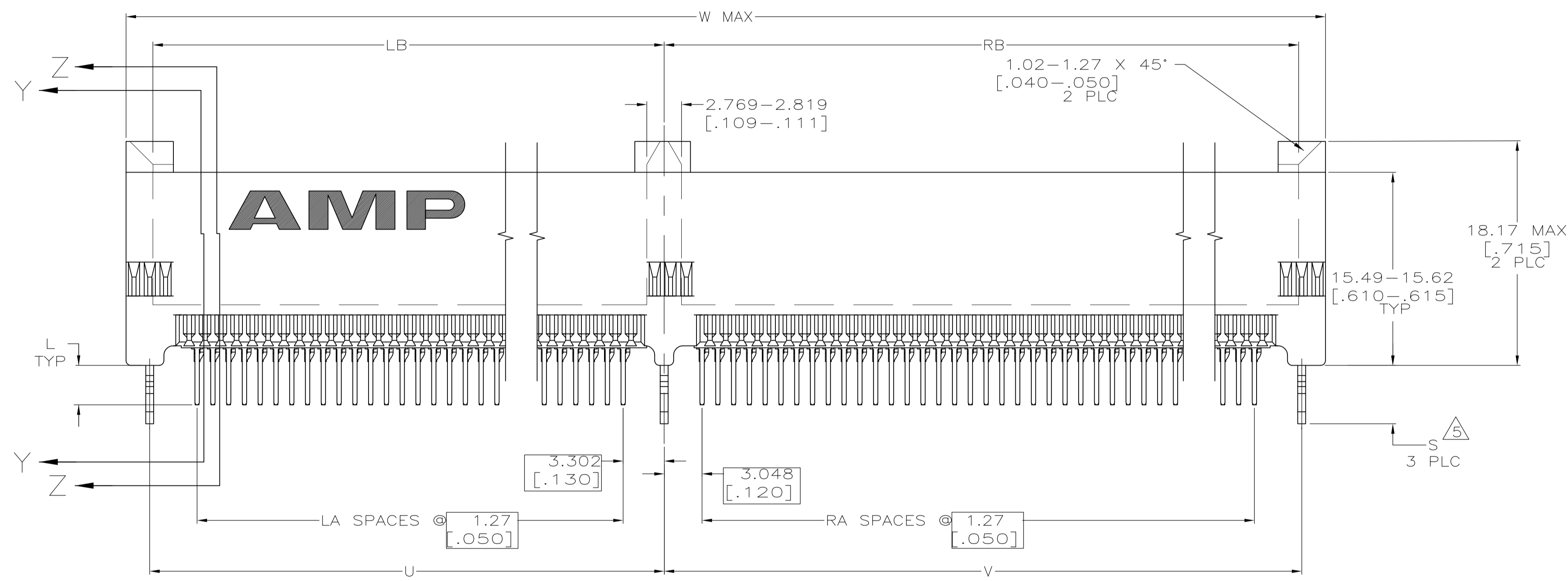
- ① FINISH: 1.27 μ m[.000050] MIN THICK NICKEL PLATE ALL OVER. 0.76 μ m [.000030]MIN THICK GOLD PLATE OVER NICKEL IN CONTACT AREA AND 2.54 μ m[.000100] MIN THICK TIN-LEAD PLATE OVER NICKEL ON SOLDER TAIL.
- ② THIS REQUIREMENT IS BASED ON A 0.82 μ m[.032] MAXIMUM EFFECTIVE DIAMETER (DIAGONAL) OF THE SOLDER TAILS.
- ③ DROP DOWNS(SKIRTS) RECOMMENDED TO MINIMIZE POTENTIAL OF IMPROPER MATING OF THE BOARD TO THE CONNECTOR.
- ④ FINISH: 1.27 μ [.000050] MIN THICK TIN.
- ⑤ DETAILS OF LONGER METAL HOLD-DOWN MAY VARY FROM THOSE SHOWN.
- ⑥ ALTERNATE PATTERN APPLIES.
- ⑦ OBSOLETE PARTS: OBSOLETE CIS STREAMLINING PER D.RENAUD/D.SINISI

RC	RB	RA	LC	LB	LA	W	V	U	T	S	L	NO. OF DUAL POSN	PART NUMBER
58.496 [2.303]	57.28-57.53 [2.255-2.265]	40	47.320 [1.863]	46.10-46.36 [1.815-1.825]	31	108.36 [4.266]	57.58-57.73 [2.267-2.273]	46.41-46.56 [1.827-1.833]	46.482 [1.830]	4.44-4.95 [.175-.195]	4.57-5.08 [.180-.200] 3.68-4.19 [.145-.165] 2.92-3.43 [.115-.135] 2.29-2.79 [.090-.110]	73	4-145090-0 3-145090-9 3-145090-8 3-145090-7 3-145090-6 3-145090-5 3-145090-4 3-145090-3 3-145090-2 3-145090-1
97.866 [3.853]	96.65-96.90 [3.805-3.815]	71	80.340 [3.163]	79.12-79.38 [3.115-3.125]	57	180.75 [7.116]	96.95-97.10 [3.817-3.823]	79.43-79.58 [3.127-3.133]	79.502 [3.130]	4.44-4.95 [.175-.195]	4.57-5.08 [.180-.200] 3.68-4.19 [.145-.165] 2.92-3.43 [.115-.135] 2.29-2.79 [.090-.110]	130	3-145090-6 3-145090-5 3-145090-4 3-145090-3 3-145090-2 3-145090-1
92.786 [3.653]	91.57-91.82 [3.605-3.615]	67	72.720 [2.863]	71.50-71.76 [2.815-2.825]	51	168.05 [6.616]	91.87-92.02 [3.617-3.623]	71.81-71.96 [2.827-2.833]	71.882 [2.830]	4.44-4.95 [.175-.195]	4.57-5.08 [.180-.200] 3.68-4.19 [.145-.165] 2.92-3.43 [.115-.135] 2.29-2.79 [.090-.110]	120	3-145090-2 3-145090-1 3-145090-0 2-145090-9
85.166 [3.353]	83.95-84.20 [3.305-3.315]	61	67.640 [2.663]	66.42-66.68 [2.615-2.625]	47	155.35 [6.116]	84.25-84.40 [3.317-3.323]	66.73-66.88 [2.627-2.633]	66.802 [2.630]	4.44-4.95 [.175-.195]	4.57-5.08 [.180-.200] 3.68-4.19 [.145-.165] 2.92-3.43 [.115-.135] 2.29-2.79 [.090-.110]	110	2-145090-8 2-145090-7 2-145090-6 2-145090-5 2-145090-4 2-145090-3 2-145090-2 2-145090-1
77.546 [3.053]	76.33-76.58 [3.005-3.015]	55	62.560 [2.463]	61.34-61.60 [2.415-2.425]	43	142.65 [5.616]	76.63-76.78 [3.017-3.023]	61.65-61.80 [2.427-2.433]	61.722 [2.430]	4.44-4.95 [.175-.195]	4.57-5.08 [.180-.200] 3.68-4.19 [.145-.165] 2.92-3.43 [.115-.135] 2.29-2.79 [.090-.110]	100	2-145090-4 2-145090-3 2-145090-2 2-145090-1 2-145090-0
69.926 [2.753]	68.71-68.96 [2.705-2.715]	49	57.480 [2.263]	56.26-56.52 [2.215-2.225]	39	129.95 [5.116]	69.01-69.16 [2.717-2.723]	56.57-56.72 [2.227-2.233]	56.642 [2.230]	4.44-4.95 [.175-.195]	4.57-5.08 [.180-.200] 3.68-4.19 [.145-.165] 2.92-3.43 [.115-.135] 2.29-2.79 [.090-.110]	90	1-145090-9 1-145090-8 1-145090-7 1-145090-6 1-145090-5 1-145090-4 1-145090-3 1-145090-2 1-145090-1
62.306 [2.453]	61.09-61.34 [2.405-2.415]	43	52.400 [2.063]	51.18-51.44 [2.015-2.025]	35	117.25 [4.616]	61.39-61.54 [2.417-2.423]	51.49-51.64 [2.027-2.033]	51.562 [2.030]	4.44-4.95 [.175-.195]	4.57-5.08 [.180-.200] 3.68-4.19 [.145-.165] 2.92-3.43 [.115-.135] 2.29-2.79 [.090-.110]	80	1-145090-6 1-145090-5 1-145090-4 1-145090-3 1-145090-2 1-145090-1
57.226 [2.253]	56.01-56.26 [2.205-2.215]	39	44.780 [1.763]	43.56-43.82 [1.715-1.725]	29	104.55 [4.116]	56.31-56.46 [2.217-2.223]	43.87-44.02 [1.727-1.733]	43.942 [1.730]	4.44-4.95 [.175-.195]	4.57-5.08 [.180-.200] 3.68-4.19 [.145-.165] 2.92-3.43 [.115-.135] 2.29-2.79 [.090-.110]	70	1-145090-2 1-145090-1 1-145090-0 1-145090-9 1-145090-8 1-145090-7 1-145090-6 1-145090-5
49.606 [1.953]	48.39-48.64 [1.905-1.915]	33	39.700 [1.563]	38.48-38.74 [1.515-1.525]	25	91.85 [3.616]	48.69-48.84 [1.917-1.923]	38.79-38.94 [1.527-1.533]	38.862 [1.530]	4.44-4.95 [.175-.195]	4.57-5.08 [.180-.200] 3.68-4.19 [.145-.165] 2.92-3.43 [.115-.135] 2.29-2.79 [.090-.110]	60	1-145090-8 1-145090-7 1-145090-6 1-145090-5 1-145090-4 1-145090-3 1-145090-2 1-145090-1
41.986 [1.653]	40.77-41.02 [1.605-1.615]	27	34.620 [1.363]	33.40-33.66 [1.315-1.325]	21	79.15 [3.116]	41.07-41.22 [1.617-1.623]	33.71-33.86 [1.327-1.333]	33.782 [1.330]	4.44-4.95 [.175-.195]	4.57-5.08 [.180-.200] 3.68-4.19 [.145-.165] 2.92-3.43 [.115-.135] 2.29-2.79 [.090-.110]	50	1-145090-4 1-145090-3 1-145090-2 1-145090-1

THIS DRAWING IS A CONTROLLED DOCUMENT.		DWN RB/LA.MAYER 15FEB2008	Tyco Electronics Corporation Harrisburg, PA 17105-3608	
DIMENSIONS: mm [INCHES]		CHK P.RECCE 15FEB2008	NAME CONNECTOR ASSEMBLY, DUAL POSN, HIGH SPEED, STANDARD EDGE	
TOLERANCES UNLESS OTHERWISE SPECIFIED:		APVD S.FLICKINGER 15FEB2008	PRODUCT SPEC 108-1406	
0 PLC ± -		APPLICATION SPEC 114-11007		
1 PLC ± -		SIZE A1		
2 PLC ± .13 [.005]		CASE CODE 00779		
3 PLC ± -		DRAWING NO 145090		
4 PLC ± -		RESTRICTED TO CUSTOMER DRAWING		
ANGLES ± 3°		SCALE 4:1		
MATERIAL		SHEET 1 OF 3		
FINISH		REV K1		

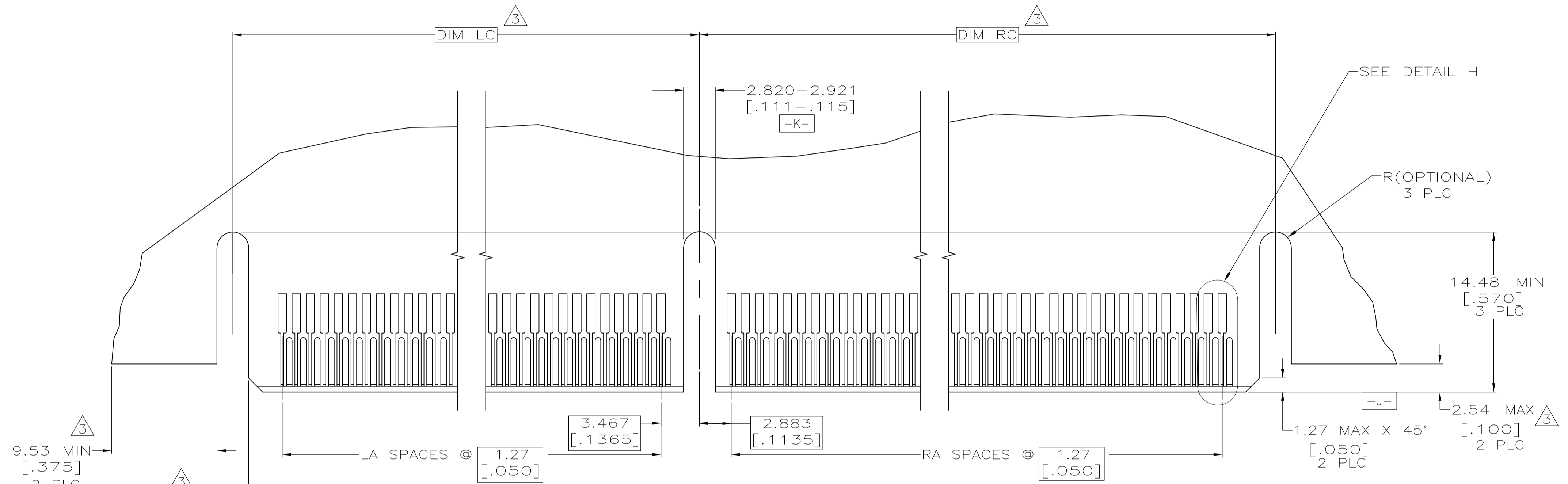


HOUSING MATERIAL: POLYPHENYLENE SULFIDE

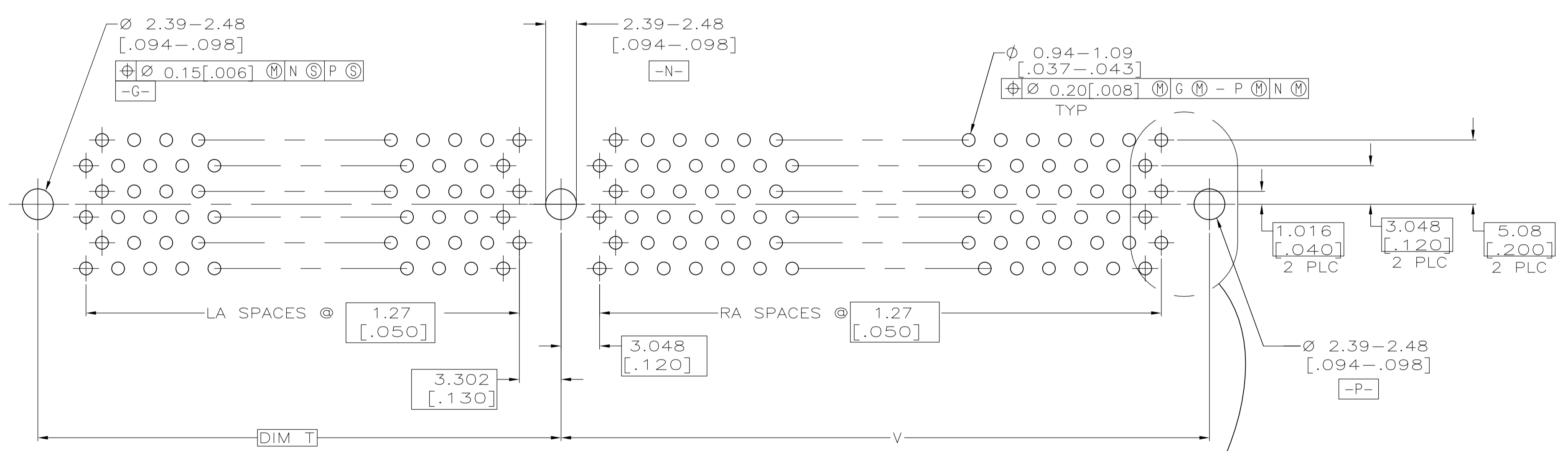


ALTERNATIVE PATTERN

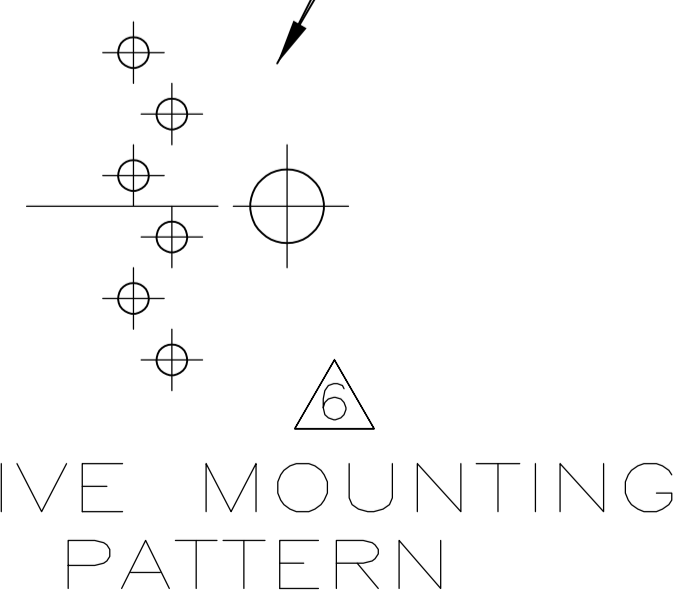
THIS DRAWING IS A CONTROLLED DOCUMENT.		DN RB/LA.MAYER 15FEB2008	Tyco Electronics Tyco Electronics Corporation Harrisburg, PA 17105-3608
DIMENSIONS: mm [INCHES]		CHK J.WESTMAN 15FEB2008	
TOLERANCES UNLESS OTHERWISE SPECIFIED:		APVD S.FLICKINGER 15FEB2008	NAME
0 PLC ± -			CONNECTOR ASSEMBLY, DUAL POSITION, HIGH SPEED, STANDARD EDGE
1 PLC ± ±			PRODUCT SPEC 108-1406
2 PLC ± ± 0.13[.005]			APPLICATION SPEC 114-11007
3 PLC ± ±			SIZE CAGE CODE DRAWING NO RESTRICTED TO
4 PLC ± ±			A1 00779 C=145090
ANGLES ± ± 3°			WEIGHT
MATERIAL	FINISH		CUSTOMER DRAWING SCALE 4:1 SHEET 2 OF 3 REV K1



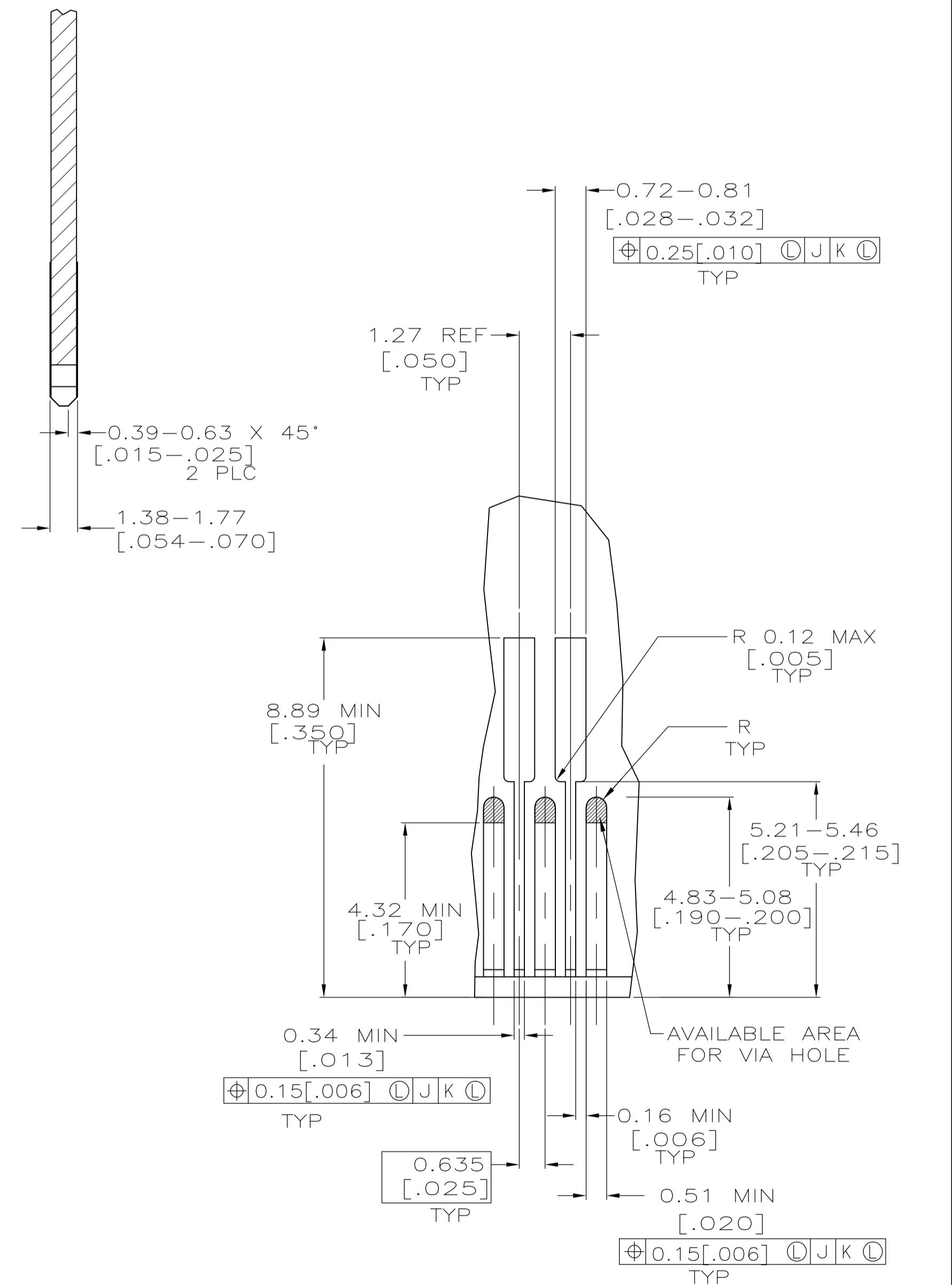
RECOMMENDED MATING BOARD EDGE CONFIGURATION



RECOMMENDED MOUNTING HOLE PATTERN
(CONNECTOR SIDE SHOWN)



ALTERNATIVE MOUNTING HOLE PATTERN



DETAIL H
SCALE 10:1

THIS DRAWING IS A CONTROLLED DOCUMENT.		DMN RB/LA.MAYER 15FEB2008	Tyco Electronics Corporation Harrisburg, PA 17105-3608
DIMENSIONS: mm (INCHES)		CHK P.RECCE 15FEB2008	
TOLERANCES UNLESS OTHERWISE SPECIFIED:		APVO S.FLICKINGER 15FEB2008	NAME CONNECTOR ASSEMBLY, DUAL POSN, HIGH SPEED, STANDARD EDGE
0 PLC ± -	1 PLC ± -	PRODUCT SPEC 108-1406	SIZE A1
2 PLC ± 0.13 [.005]	3 PLC ± -	APPLICATION SPEC 114-11007	CAGE CODE 00779
4 PLC ± -	ANGLES ± 3°	WEIGHT -	DRAWING NO 145090
MATERIAL -	FINISH -	CUSTOMER DRAWING	RESTRICTED TO -
		SCALE 4:1	SHEET 3 OF 3
		REV K1	