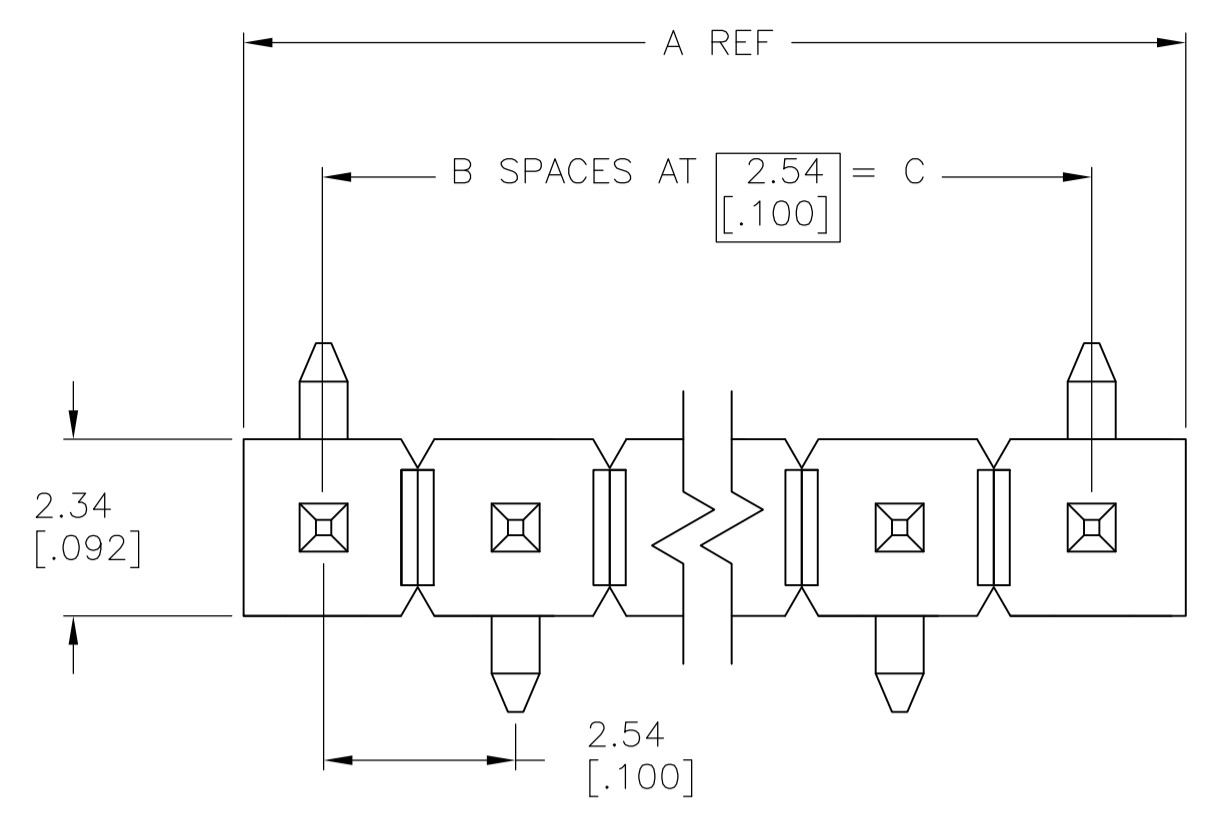
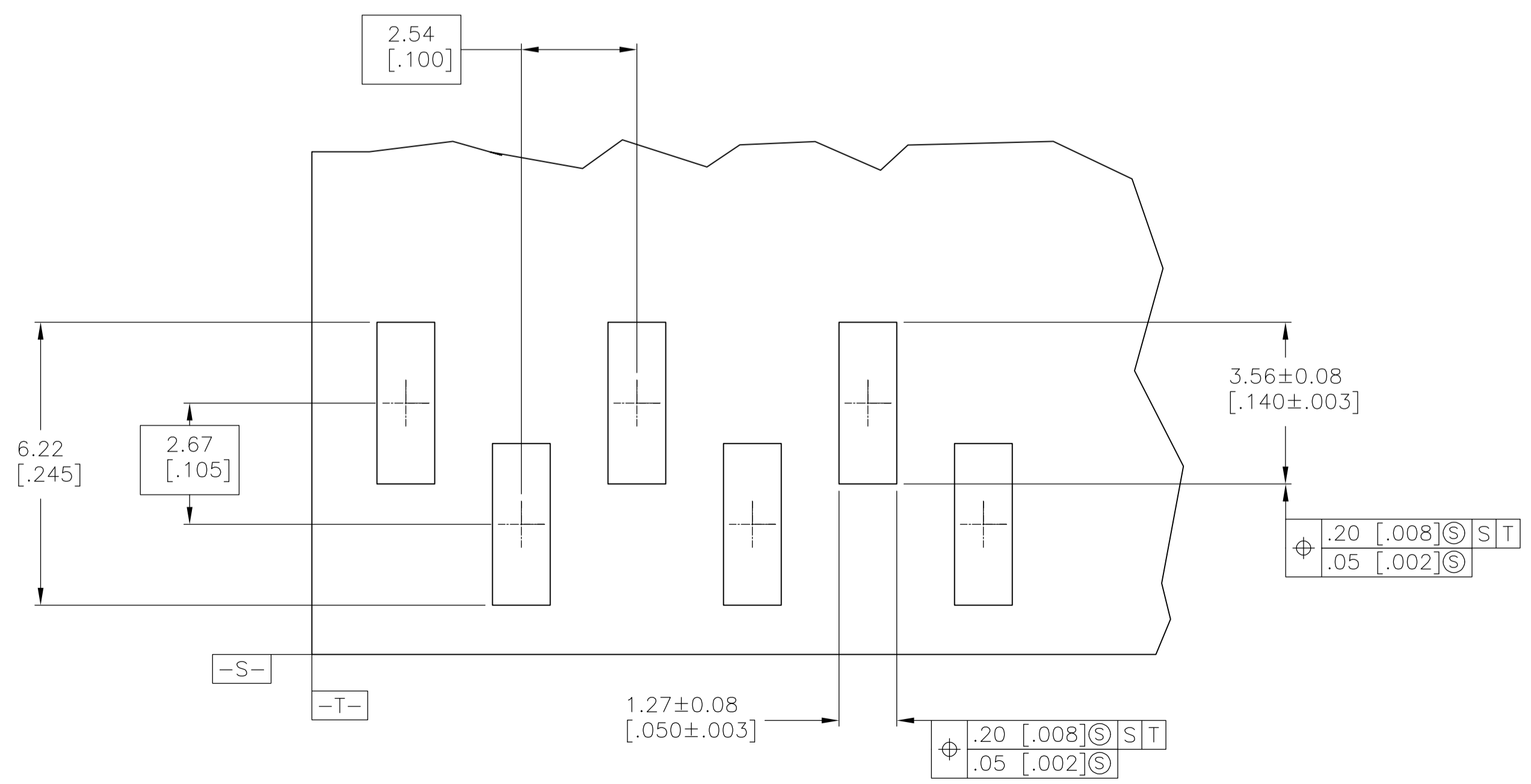
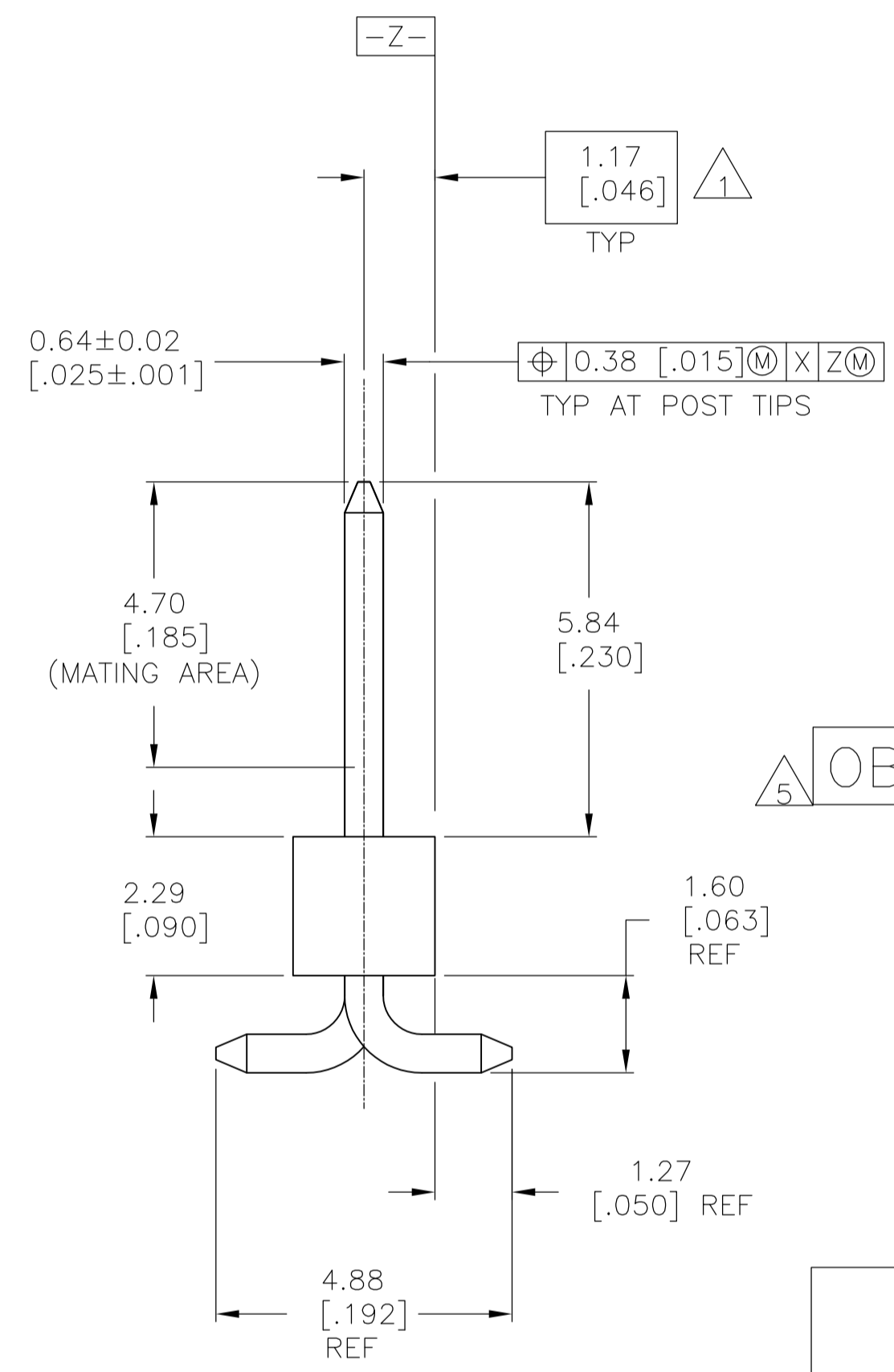
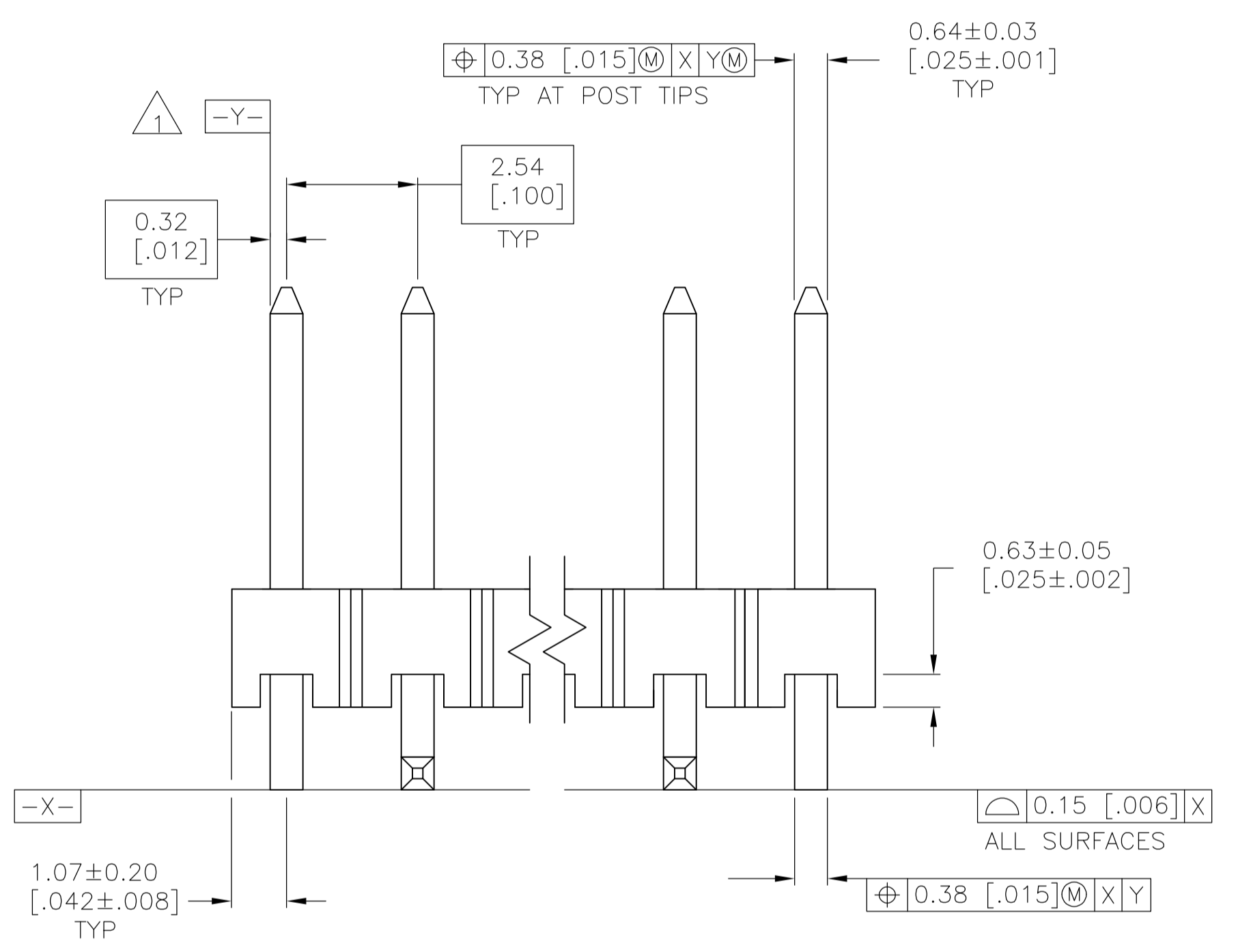


| LOC |    | DIST |     | REVISIONS                 |         |     |      |
|-----|----|------|-----|---------------------------|---------|-----|------|
| AD  | 00 | P    | LTR | DESCRIPTION               | DATE    | DMN | APVO |
| J   | 00 | J    | 00  | OG3C 0826 04              | 16FEB05 | BSV | JLG  |
| J1  |    | J1   |     | REVISED PER ECO-09-021826 | 07SEP09 | KK  | AEG  |



- 1 THE NOTED DIMENSIONS APPLY AT THE INTERSECTION OF THE POST AND THE HOUSING.
- 2 0.000762[.000030] GOLD ON CONTACT AREA, 0.00254[.000100]-0.00508[.000200] MATTE TIN-LEAD ON SOLDER TAIL, ALL OVER 0.00127[.000050] NICKEL.
- 3 HOUSING: LCP, COLOR-BLACK. POSTS: PHOSPHOR BRONZE.
- 4 0.000762[.000030] GOLD ON CONTACT AREA, 0.00254[.000100]-0.00508[.000200] MATTE TIN ON SOLDER TAIL, ALL OVER 0.00127[.000050] NICKEL.
- 5 OBSOLETE PARTS: OBSOLETE CIS STREAMLINING PER D.RENAUD/D.SINISI



RECOMMENDED PCB LAYOUT FOR USE WITH .008 THICK STENCIL

| PLATING | C             | B  | A             | NO OF POSN | PART NUMBER |
|---------|---------------|----|---------------|------------|-------------|
| 4       | 35.56 [1.400] | 14 | 35.69 [1.484] | 15         | 6-146128-3  |
| 4       | 33.02 [1.300] | 13 | 33.15 [1.384] | 14         | 6-146128-2  |
| 4       | 30.48 [1.200] | 12 | 30.61 [1.284] | 13         | 6-146128-1  |
| 4       | 27.94 [1.100] | 11 | 28.07 [1.184] | 12         | 6-146128-0  |
| 4       | 25.40 [1.000] | 10 | 27.53 [1.084] | 11         | 5-146128-9  |
| 4       | 22.86 [0.900] | 9  | 24.99 [0.984] | 10         | 5-146128-8  |
| 4       | 20.32 [0.800] | 8  | 22.45 [0.884] | 9          | 5-146128-7  |
| 4       | 17.78 [0.700] | 7  | 19.91 [0.784] | 8          | 5-146128-6  |
| 4       | 15.24 [0.600] | 6  | 17.37 [0.684] | 7          | 5-146128-5  |
| 4       | 12.70 [0.500] | 5  | 14.83 [0.584] | 6          | 5-146128-4  |
| 4       | 10.16 [0.400] | 4  | 12.29 [0.484] | 5          | 5-146128-3  |
| 4       | 7.62 [0.300]  | 3  | 9.75 [0.384]  | 4          | 5-146128-2  |
| 4       | 5.08 [0.200]  | 2  | 7.21 [0.284]  | 3          | 5-146128-1  |
| 2       | 35.56 [1.400] | 14 | 35.69 [1.484] | 15         | 1-146128-3  |
| 2       | 33.02 [1.300] | 13 | 33.15 [1.384] | 14         | 1-146128-2  |
| 2       | 30.48 [1.200] | 12 | 30.61 [1.284] | 13         | 1-146128-1  |
| 2       | 27.94 [1.100] | 11 | 28.07 [1.184] | 12         | 1-146128-0  |
| 2       | 25.40 [1.000] | 10 | 27.53 [1.084] | 11         | 146128-9    |
| 2       | 22.86 [0.900] | 9  | 24.99 [0.984] | 10         | 146128-8    |
| 2       | 20.32 [0.800] | 8  | 22.45 [0.884] | 9          | 146128-7    |
| 2       | 17.78 [0.700] | 7  | 19.91 [0.784] | 8          | 146128-6    |
| 2       | 15.24 [0.600] | 6  | 17.37 [0.684] | 7          | 146128-5    |
| 2       | 12.70 [0.500] | 5  | 14.83 [0.584] | 6          | 146128-4    |
| 2       | 10.16 [0.400] | 4  | 12.29 [0.484] | 5          | 146128-3    |
| 2       | 7.62 [0.300]  | 3  | 9.75 [0.384]  | 4          | 146128-2    |
| 2       | 5.08 [0.200]  | 2  | 7.21 [0.284]  | 3          | 146128-1    |

THIS DRAWING IS A CONTROLLED DOCUMENT.

DIMENSIONS: mm [INCHES]

TOLERANCES UNLESS OTHERWISE SPECIFIED:

|        |   |             |
|--------|---|-------------|
| 0. PLC | ± | -           |
| 1. PLC | ± | -           |
| 2. PLC | ± | -           |
| 3. PLC | ± | -.127(.005) |
| 4. PLC | ± | -           |
| ANGLES | ± | -           |

MATERIAL: 3 SEE TABLE

FINISH: SEE TABLE

WEIGHT: -

CAGE CODE: A1 00779

DRAWING NO: 146128

RESTRICTED TO: -

CUSTOMER DRAWING

SCALE: 10:1

SHEET: 1 OF 1

REV: J1