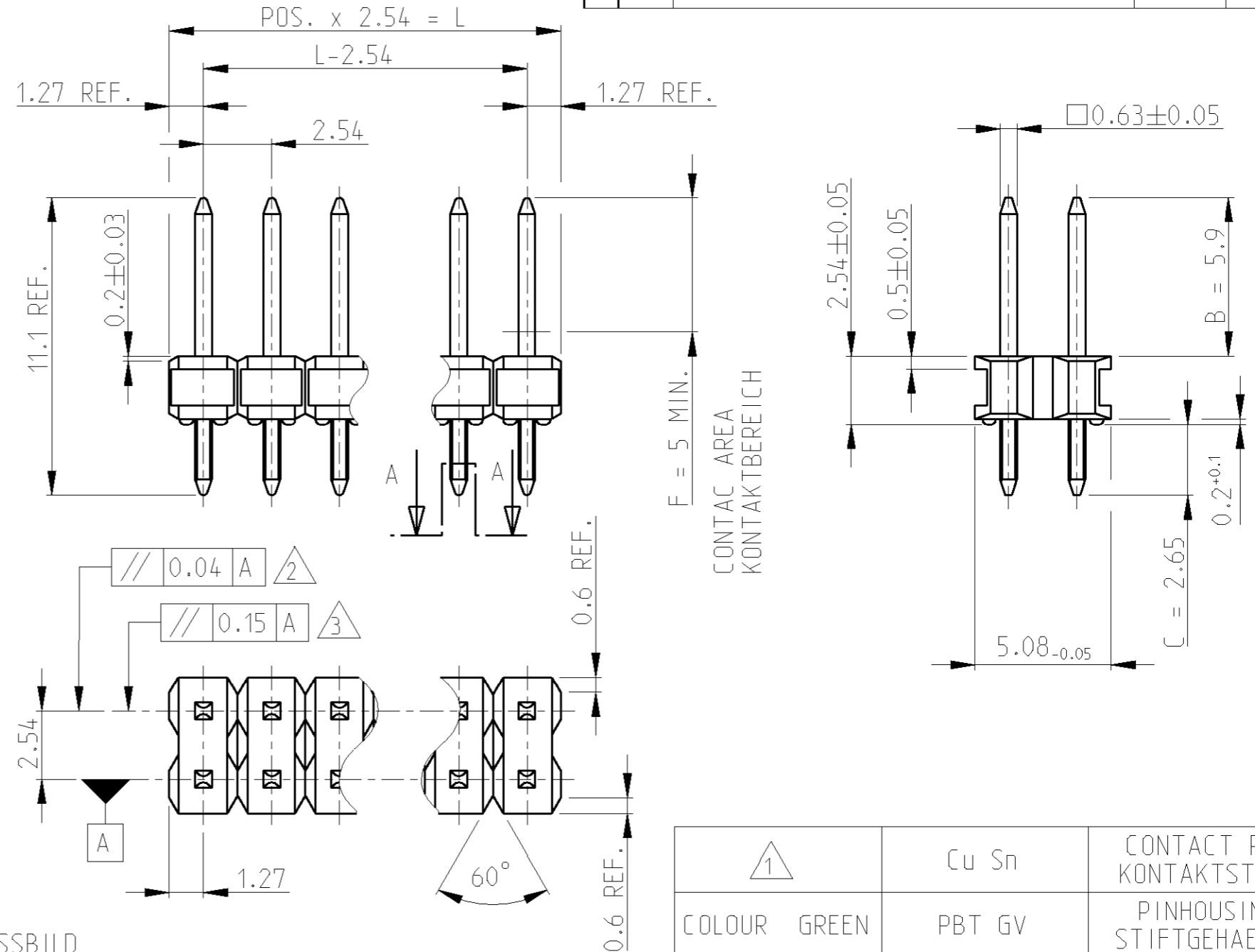
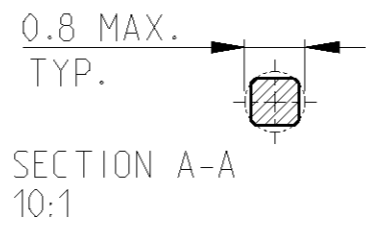


THIS DRAWING IS UNCLASSIFIED
 RELEASED FOR PUBLICATION 2006
 © COPYRIGHT 2006 BY TYCO ELECTRONICS CORPORATION. ALL RIGHTS RESERVED.

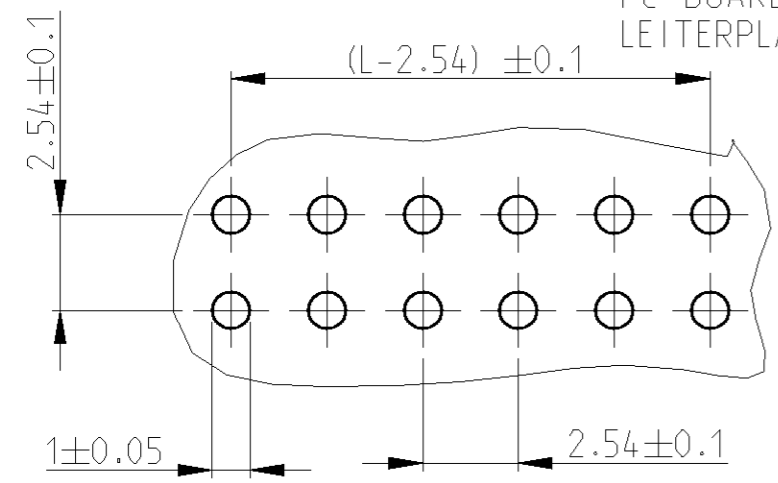
| LOC | DIST | REVISIONS | | | |
|-----|------|---------------------------------------|------------|------|------|
| P | LTR | DESCRIPTION | DATE | DWN | APVD |
| | 7 | TIN/LEAD WAS TIN, NOTES 2 AND 3 ADDED | 24 JUN1991 | F.M. | - |
| A1 | | REDRAWN, DIM. L AND PLATING CHANGED | 13SEP2006 | ACK | MS |
| A2 | | REVISED PER ECO-10-000445 | 06FEB10 | KK | HMR |

| POS PER ROW | L +0.3 -0.6 | PART - NO. | POS. PER ROW | L +0.3 -0.6 | PART - NO. |
|-------------|----------------|-------------|--------------|----------------|-------------|
| - | - | - | 26 | 66.04 | 2-828 430-6 |
| 2 | 5.08 | 828 430-2 | 27 | 68.58 | 2- -7 |
| 3 | 7.62 | -3 | 28 | 71.12 | 2- -8 |
| 4 | 10.16 | -4 | 29 | 73.66 | 2- -9 |
| 5 | 12.70 | -5 | 30 | 76.20 | 2- -0 |
| 6 | 15.24 | -6 | 31 | 78.74 | 2- -1 |
| 7 | 17.78 | -7 | 32 | 81.28 | 3- -2 |
| 8 | 20.32 | -8 | 33 | 83.82 | 3- -3 |
| 9 | 22.86 | -9 | 34 | 86.36 | 3- -4 |
| 10 | 25.40 | 1- -0 | 35 | 88.90 | 3- -5 |
| 11 | 27.94 | 1- -1 | 36 | 91.44 | 3- -6 |
| 12 | 30.48 | 1- -2 | 37 | 93.98 | 3- -7 |
| 13 | 33.02 | 1- -3 | 38 | 96.52 | 3- -8 |
| 14 | 35.56 | 1- -4 | 39 | 99.06 | 3- -9 |
| 15 | 38.10 | 1- -5 | 40 | 101.60 | 4- -0 |
| 16 | 40.64 | 1- -6 | 41 | 104.14 | 4- -1 |
| 17 | 43.18 | 1- -7 | 42 | 106.68 | 4- -2 |
| 18 | 45.72 | 1- -8 | 43 | 109.22 | 4- -3 |
| 19 | 48.26 | 1- -9 | 44 | 111.76 | 4- -4 |
| 20 | 50.80 | 2- -0 | 45 | 114.30 | 4- -5 |
| 21 | 53.34 | 2- -1 | 46 | 116.84 | 4- -6 |
| 22 | 55.88 | 2- -2 | 47 | 119.38 | 4- -7 |
| 23 | 58.42 | 2- -3 | 48 | 121.92 | 4- -8 |
| 24 | 60.96 | 2- -4 | 49 | 124.46 | 4- -9 |
| 25 | 63.50 | 2-828 430-5 | 50 | 127.00 | 5-828 430-0 |



- 1 0.8 μm GOLD AT AREA F OVER 1.27 μm NICKEL AT AREA B MIN. 3 μm TIN OVER 1.27 μm NICKEL AT AREA C
- 2 FROM -2 TILL 3- -6
- 3 FROM 3- -7 TILL 5- -0
- 4 OBSOLETE PARTS: OBSOLETE CIS STREAMLINING PER D.RENAUD/D.SINISI

PC BOARD LAYOUT
LEITERPLATTENANSCHLUSSBILD



| | | | | | | | |
|---|--|--|--|--|--|--|--|
| DIMENSIONS: mm | | TOLERANCES UNLESS OTHERWISE SPECIFIED: 0 PLC ±0.1 1 PLC ±0.1 2 PLC ±0.1 3 PLC ± 4 PLC ± ANGLES ±2° | | DWN A.HO 27MRZ1986 CHK M.SCHAARSCHEIDT 02APR1986 APVD - PRODUCT SPEC 108-18012 APPLICATION SPEC - WEIGHT - MATERIAL - FINISH - | | tyco Electronics tyco Electronics AMP GmbH D - 67346 Speyer | |
| NAME AMPMODU II PINHEADER DUAL ROW STIFLEISTE ZWEIREIHIG | | SIZE A3 CAGE CODE 00779 DRAWING NO C=828430 | | RESTRICTED TO - | | SCALE 5:1 SHEET 1 OF 1 REV A2 | |