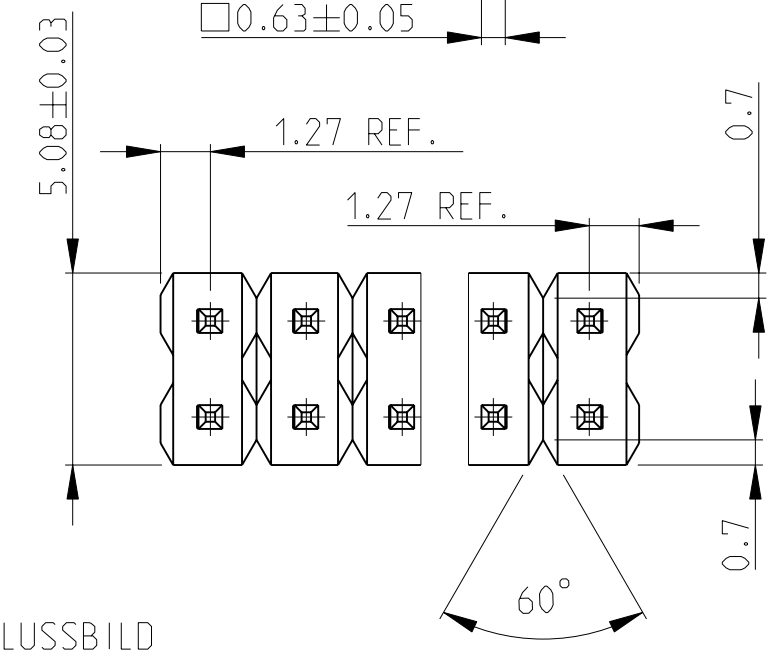
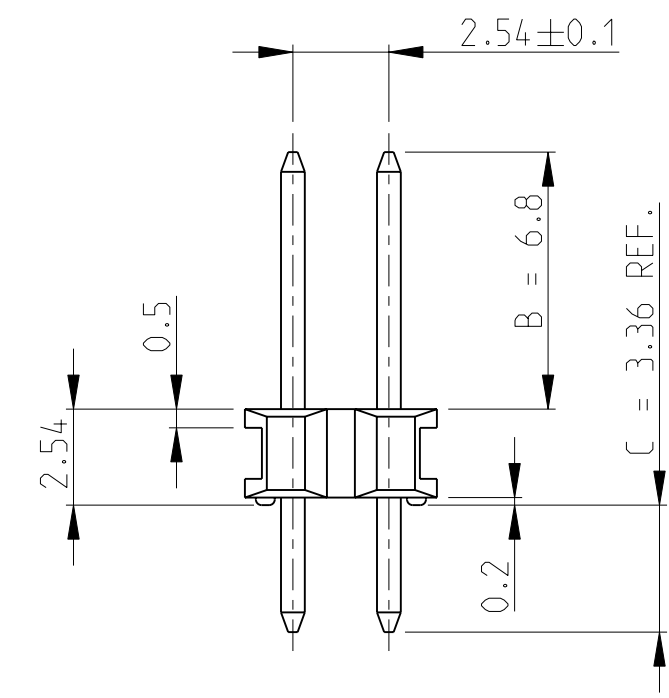
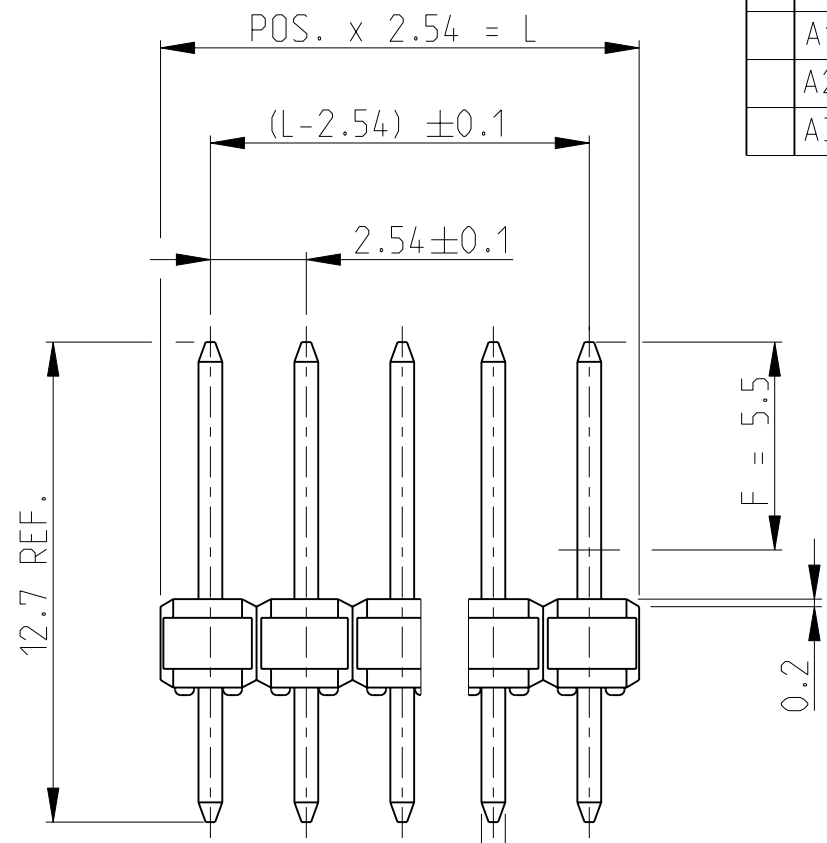


THIS DRAWING IS UNPUBLISHED
 RELEASED FOR PUBLICATION 2005
 © COPYRIGHT 2005 BY TYCO ELECTRONICS CORPORATION. ALL RIGHTS RESERVED.

LOC	DIST	REVISIONS					
		P	LTR	DESCRIPTION	DATE	DWN	APVD
A1	-	2		3-...-7 UNTIL 5-...-0 ADDED	29SEP1992	A.HO	-
		A1		REDRAWN, CHANGED TO ENGLISH-VERSION	24JUN2005	GA	MS
		A2		UPDATE	06JUL2005	GA	MS
		A3		REVISED PER ECO-09-026495	17DEC09	KK	AEG

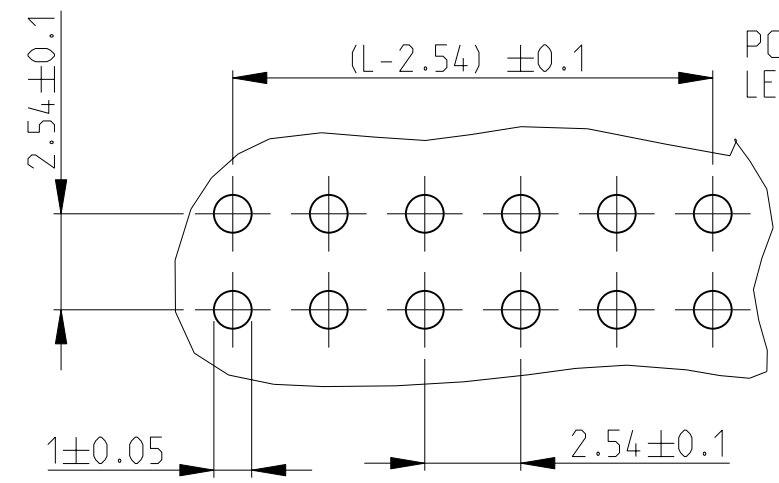
POS. PER ROW	L ±0.5	PART - NO.	POS. PER ROW	L ±0.5	PART - NO.
-	-	-	26	66.04	2-829 394-6/2
2	5.08	829 394-2	27	68.58	2- 7 -7/2
3	7.62	-3	28	71.12	2- 8 -8/2
4	10.16	-4	29	73.66	2- 9 -9/2
5	12.70	-5	30	76.20	3- 0 -0/2
6	15.24	-6	31	78.74	3- 1 -1/2
7	17.78	-7	32	81.28	3- 2 -2
8	20.32	-8	33	83.82	3- 3 -3/2
9	22.86	-9	34	86.36	3- 4 -4/2
10	25.40	1-	35	88.90	3- 5 -5/2
11	27.94	4- 1 -1/2	36	91.44	3- 6 -6/2
12	30.48	4- 2 -2/2	37	93.98	3- 7 -7
13	33.02	1-	38	96.52	3- 8 -8
14	35.56	4- 4 -4/2	39	99.06	3- 9 -9
15	38.10	1-	40	101.60	4- 0 -0
16	40.64	4- 6 -6/2	41	104.14	4- 1 -1
17	43.18	1-	42	106.68	4- 2 -2
18	45.72	4- 8 -8/2	43	109.22	4- 3 -3
19	48.26	4- 9 -9/2	44	111.76	4- 4 -4
20	50.80	2-	45	114.30	4- 5 -5
21	53.34	2-	46	116.84	4- 6 -6
22	55.88	2- 2 -2/2	47	119.38	4- 7 -7
23	58.42	2- 3 -3/2	48	121.92	4- 8 -8
24	60.96	2- 4 -4/2	49	124.46	4- 9 -9
25	63.50	2-829 394-5	50	127.00	5-829 394-0



1 IN AREA "F" 0.8 μm GOLD
 OVER 1.27 μm NICKEL IN AREA "B"
 IN AREA "C" MIN. 3 μm TIN OVER 1.27 μm NICKEL

2 OBSOLETE PARTS: OBSOLETE CIS STREAMLINING
 PER D.RENAUD/D.SINISI

1	Cu Sn 6	CONTACT PIN KONTAKTSTIFT
COLOUR GREEN	PBT GV UL 94 - V0	PINHOUSING STIFTGEHAEUSE
REMARK BEMERKUNG	MATERIAL	DESCRIPTION BEZEICHNUNG



THIS DRAWING IS A CONTROLLED DOCUMENT FOR TYCO ELECTRONICS CORPORATION
 IT IS SUBJECT TO CHANGE AND THE CONTROLLING ENGINEERING ORGANIZATION
 SHOULD BE CONTACTED FOR THE LATEST REVISION.

DIMENSIONS:	TOLERANCES UNLESS OTHERWISE SPECIFIED:
mm	0 PLC ±0.2
	1 PLC ±0.2
	2 PLC ±0.2
	3 PLC ±
	4 PLC ±
	ANGLES ±2°
MATERIAL -	FINISH -

DWN G.ACKERMANN 24 JUN2005	tyco Electronics Corporation AMP GmbH D - 67346 Speyer	NAME AMPMODU II PINHEADER, DUAL ROW AMPMODU II STIFTLISTE, ZWEIR.		
CHK M.SCHAARSCHMIDT 24 JUN2005				
APVD G.FELDMEIER 24 JUN2005				
PRODUCT SPEC -				
APPLICATION SPEC -	SIZE A3	CAGE CODE 00779	DRAWING NO. C-829394	RESTRICTED TO -
WEIGHT -	CUSTOMER DRAWING	SCALE 5:1	SHEET 1 OF 1	REV A3