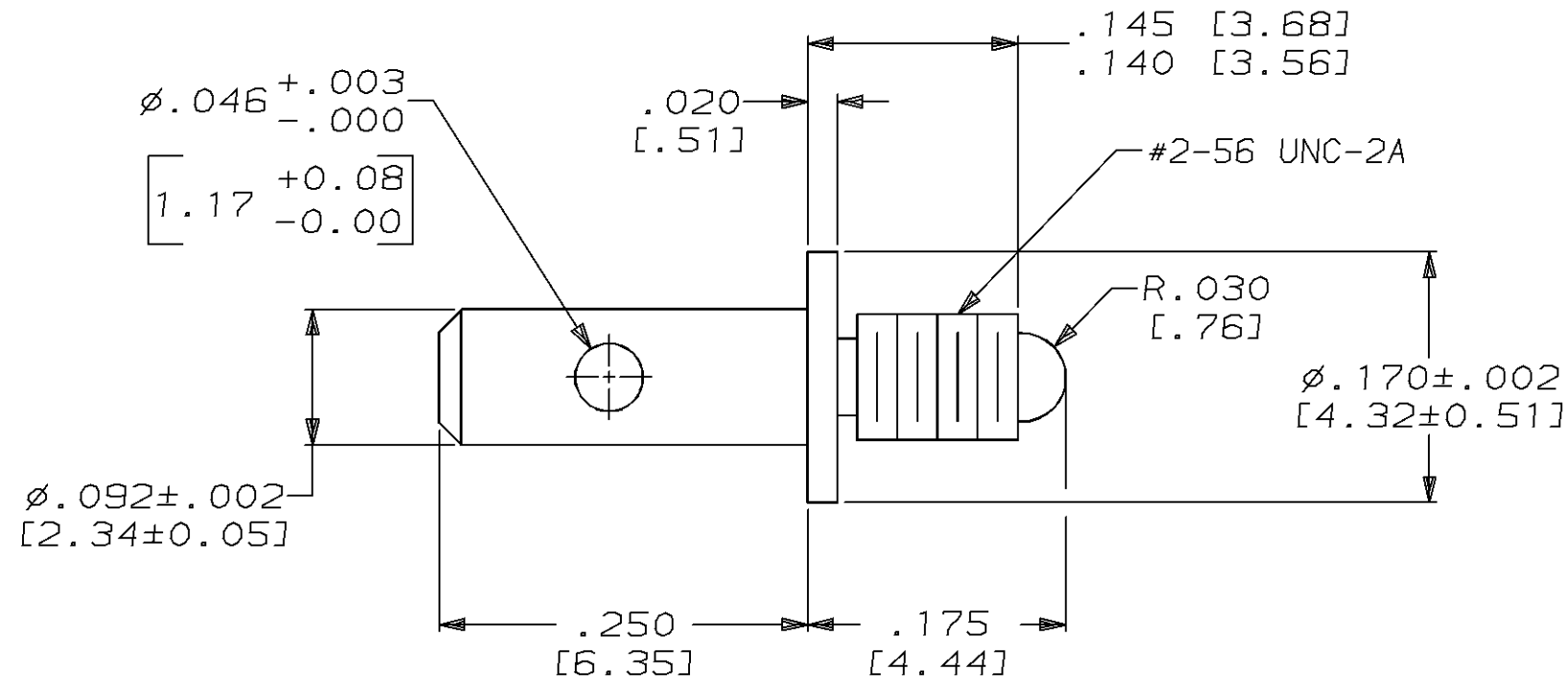


THIS DRAWING IS UNPUBLISHED. RELEASED FOR PUBLICATION, 19 .  
 © COPYRIGHT 19 BY AMP INCORPORATED. ALL INTERNATIONAL RIGHTS RESERVED.

LOC	DIST	P	F	REVISIONS				
DF	F0			ZONE	LTR	DESCRIPTION	DATE	APPD
			✓		0	REL PER 0600-2462-94 TA	8-3-94	DG



443001-1  
 PART NUMBER

DO NOT SCALE PRINT. UNLESS SPECIFIED DIMENSIONS IN mm [INCHES] TOLERANCES ON: 2 PLC DEC ± - 3 PLC DEC ± .005 [0.13] ANGLES ± -	DR 8-3-94 T. ALEXANDER
	CHK 8-3-94 D. GUTTER
	APPD 8-3-94 D. GUTTER
	APPD 8-3-94 T. ALEXANDER
MATERIAL STAINLESS STEEL ASTM-A-582	PRODUCT SPEC -
FINISH PASSIVATED PER QQ-P-35	APPLICATION SPEC -
	WEIGHT -

<b>AMP</b> AMP Incorporated Harrisburg, PA 17105-3608		
NAME MINI-BOX JACK SCREW, SPECIAL		
SIZE B	CAGE CODE 00779	DRAWING NO C=443001
SCALE 8:1	SHEET 1 OF 1	

THIS DRAWING IS A CONTROLLED DOCUMENT FOR AMP INCORPORATED. IT IS SUBJECT TO CHANGE AND THE CONTROLLING ENGINEERING ORGANIZATION SHOULD BE CONTACTED FOR THE LATEST REVISION.