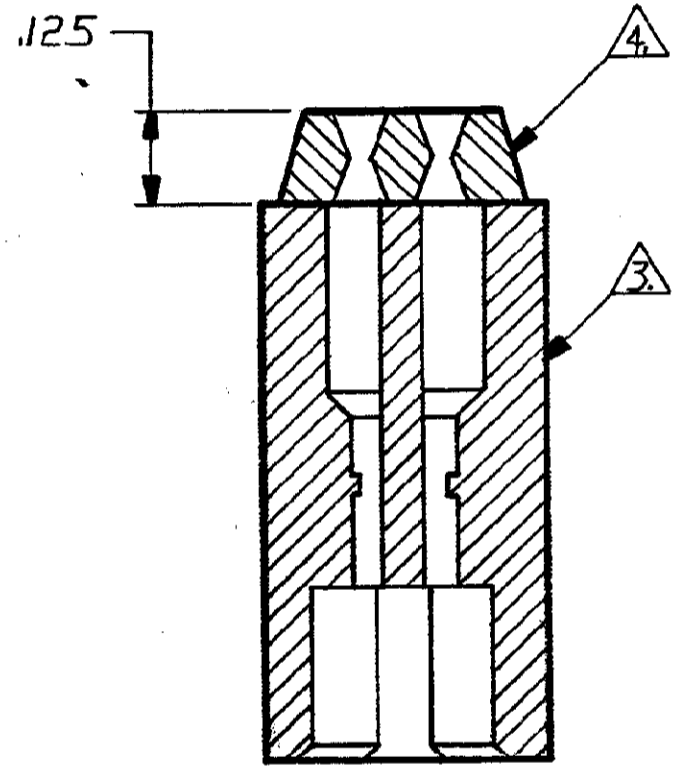
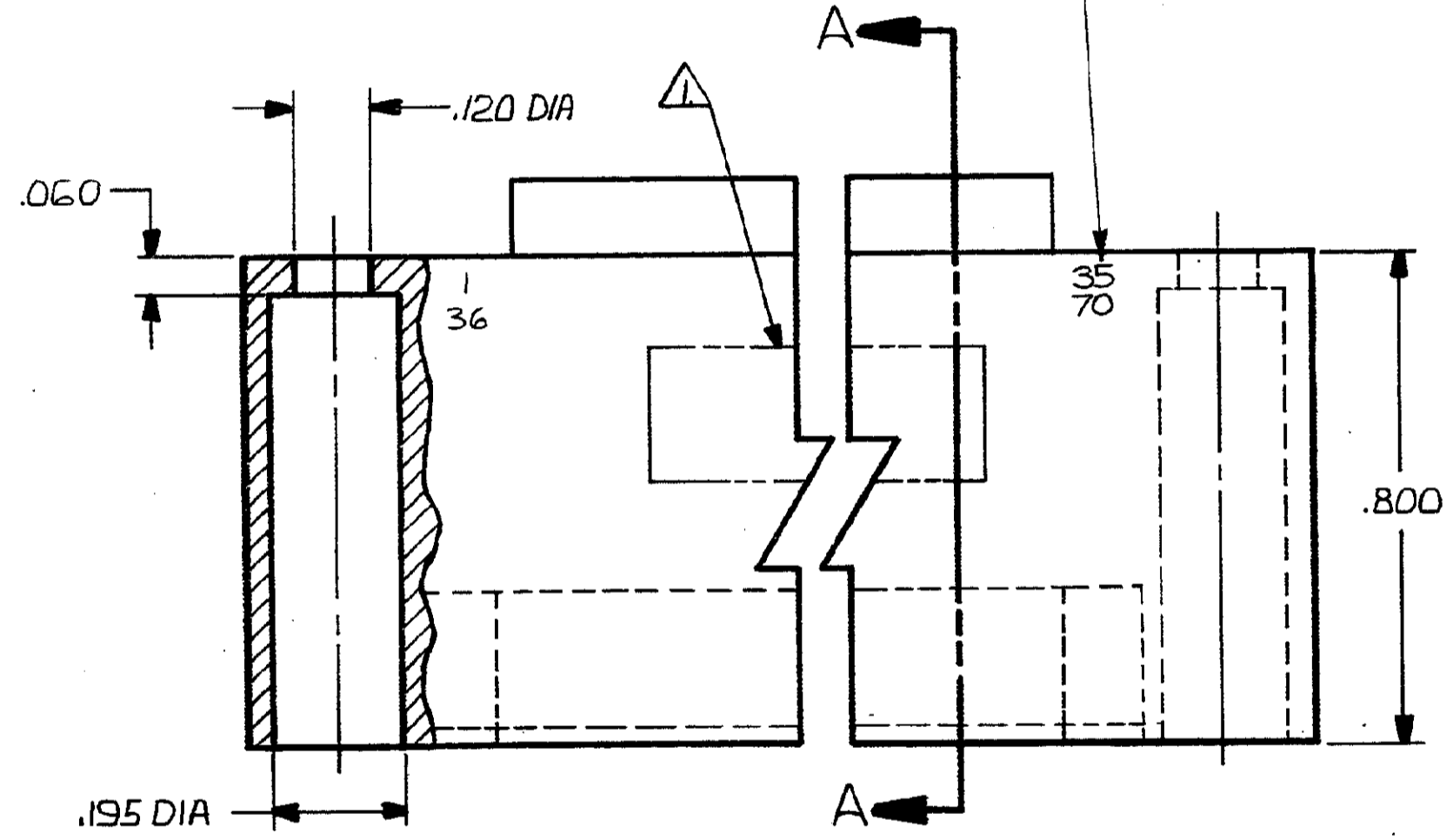
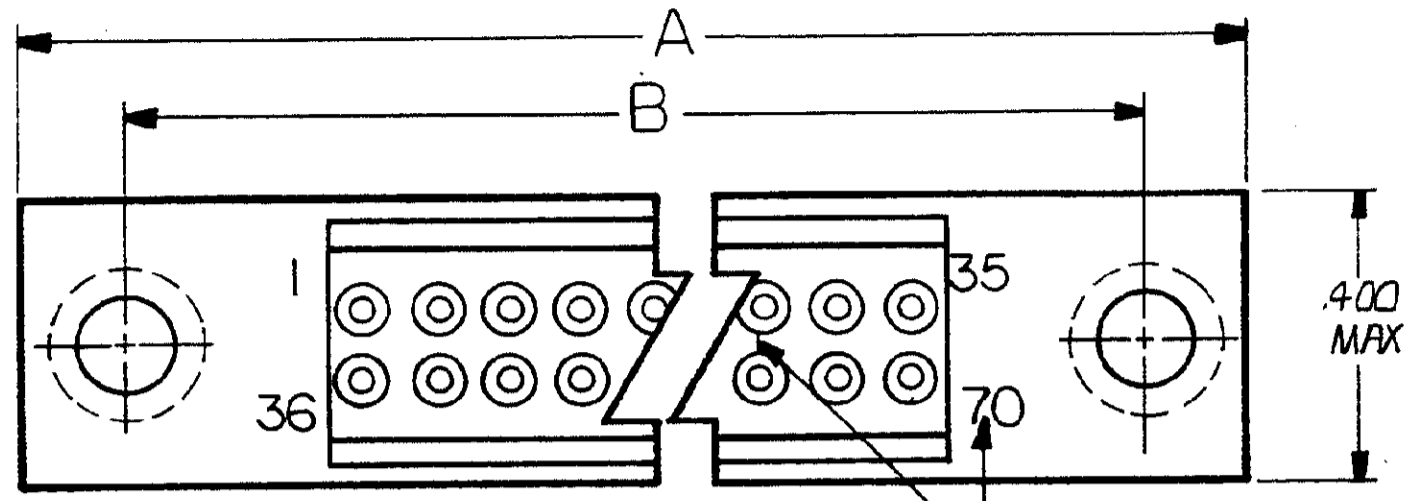


DRAWING MADE IN THIRD ANGLE PROJECTION

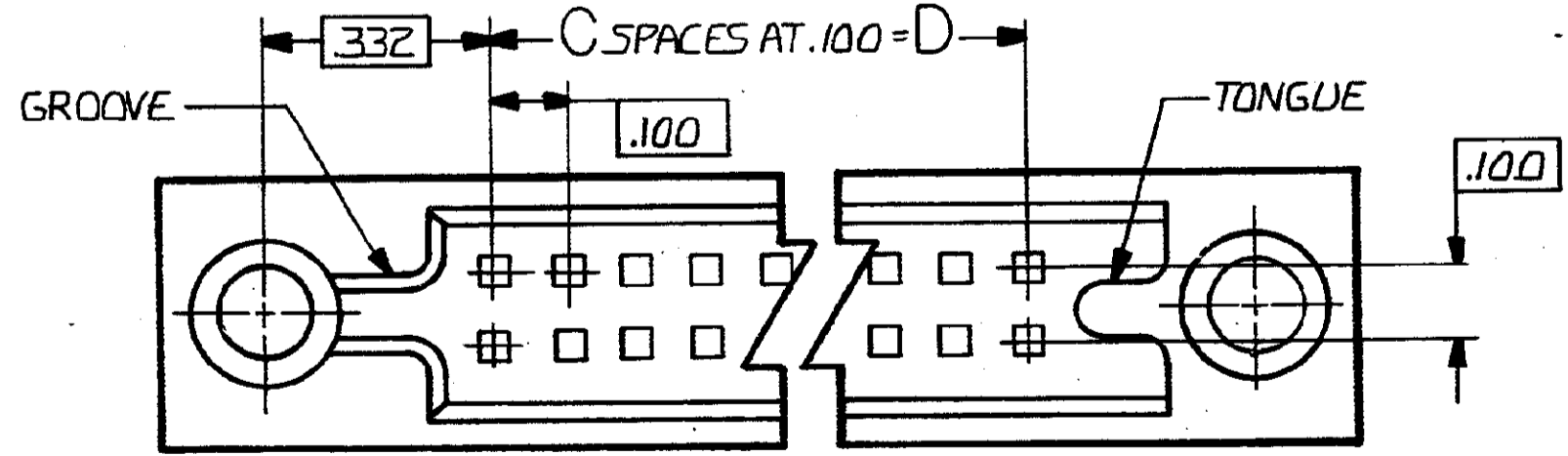
© COPYRIGHT 1978 BY AMP INCORPORATED, HARRISBURG, PA. ALL INTERNATIONAL RIGHTS RESERVED. AMP INCORPORATED PRODUCTS COVERED BY U. S. AND FOREIGN PATENTS AND/OR PATENTS PENDING.

LOC DF FO

REVISIONS					
P	F	ZONE/LTR	DESCRIPTION	DATE	APPROVED
		A	REVISED	6643 4-80	
		B	OBS-1E/NDFO977	1466	T.W.
		C	REACTIVATE-1 PER DF-1282	T.W. 1-30-89	
		D	REV PER DF-1540	T.W. 8-89	
		E	ECO-08-020846	PY 11-08	BW



SECTION A-A



- 1 MARKING ON HOUSING: AMP, 00779, PART NO, MILITARY PART NUMBER AND DATE CODE MARKED IN THIS AREA. (SIDE OPTIONAL)
- 2 NUMBERS AND LINES INDICATING EVERY FIVE CAVITIES MARKED AS SHOWN
- 3 HOUSING MATERIAL: GLASS FILLED POLYESTER COLOR: BLUE.
- 4 GASKET MATERIAL: SILICONE RUBBER

MILITARY PART NUMBER	CAVITY IDENTIFICATION	D	C	B	A	NO. OF POSITIONS	PART NO
M55302/113-89	156 55,110	5,900	54	6.065	6.355	110	530884-2
M55302/113-88	136 35,70	3,400	34	4.065	4.355	70	530884-1

UNLESS OTHERWISE SPECIFIED DIMENSIONS ARE IN INCHES. TOLERANCES ON: DECIMALS ±.010 ANGLES ±.010	CONTRACT NO	AMP INCORPORATED Harrisburg, Pa.
	APPR Robert Wilber 6-15-78 CHK ROGER W DURBIN 7-13-78 APPR Roger W Durbin 7/13/78 APPR R Shouman 7-17-78	
MATERIAL	DSGN APPD	NAME CRIMP SNAP BOX HOUSING WITH GASKET SIZE CODE IDENT NO DRAWING NO C 00779 530884 SCALE 4-1 SHEET 10F1
FINISH	OTHER APPD	REV E