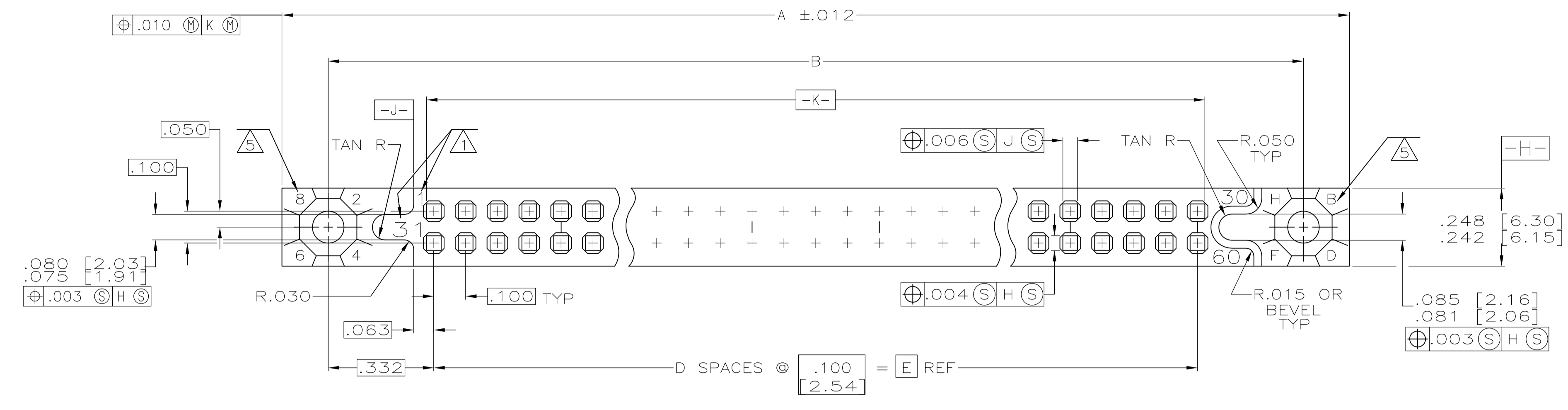
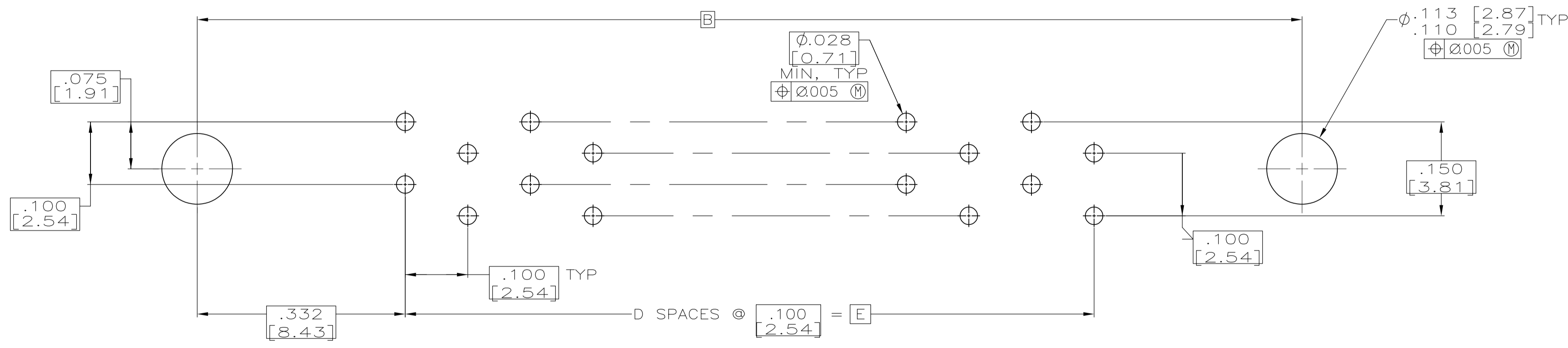
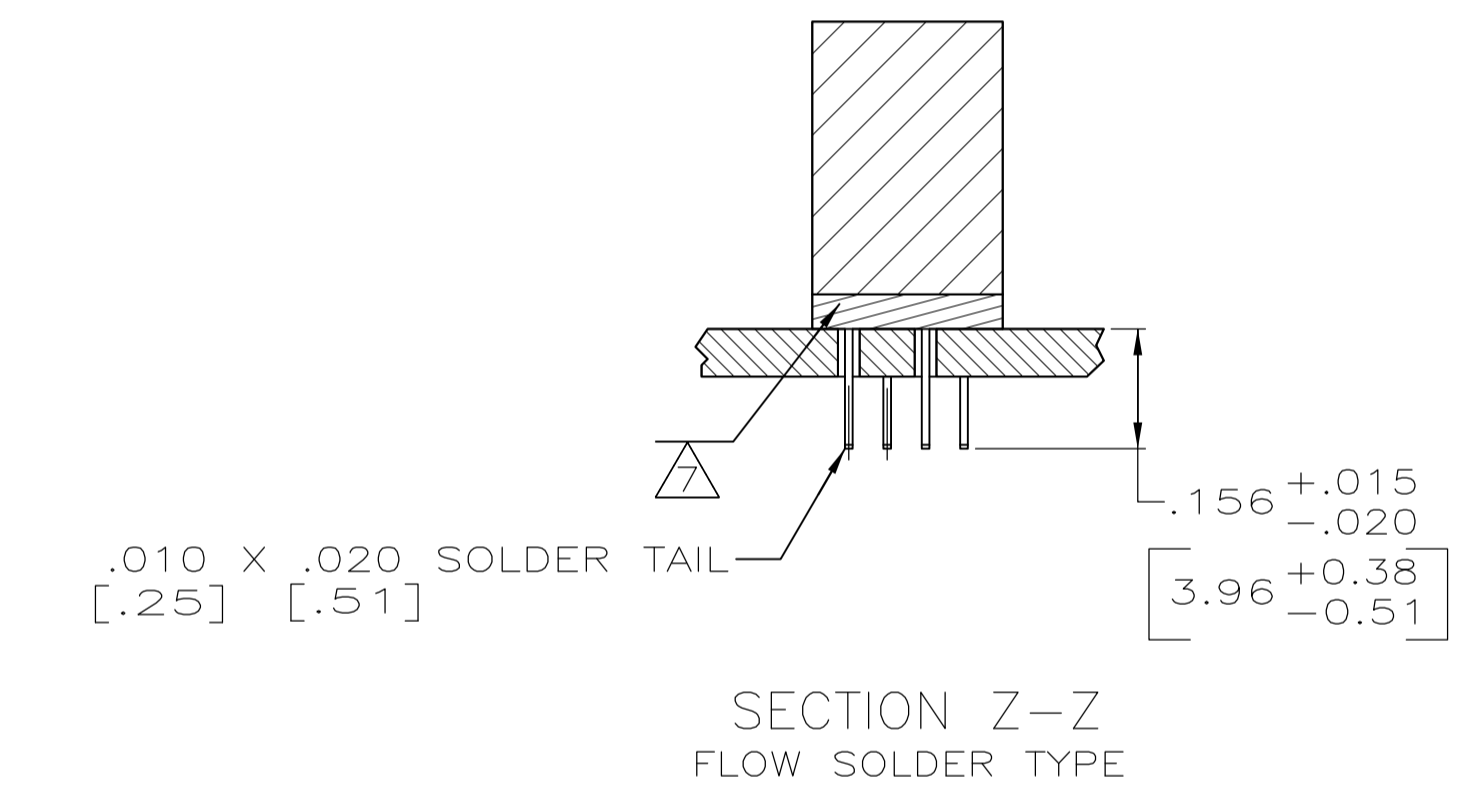
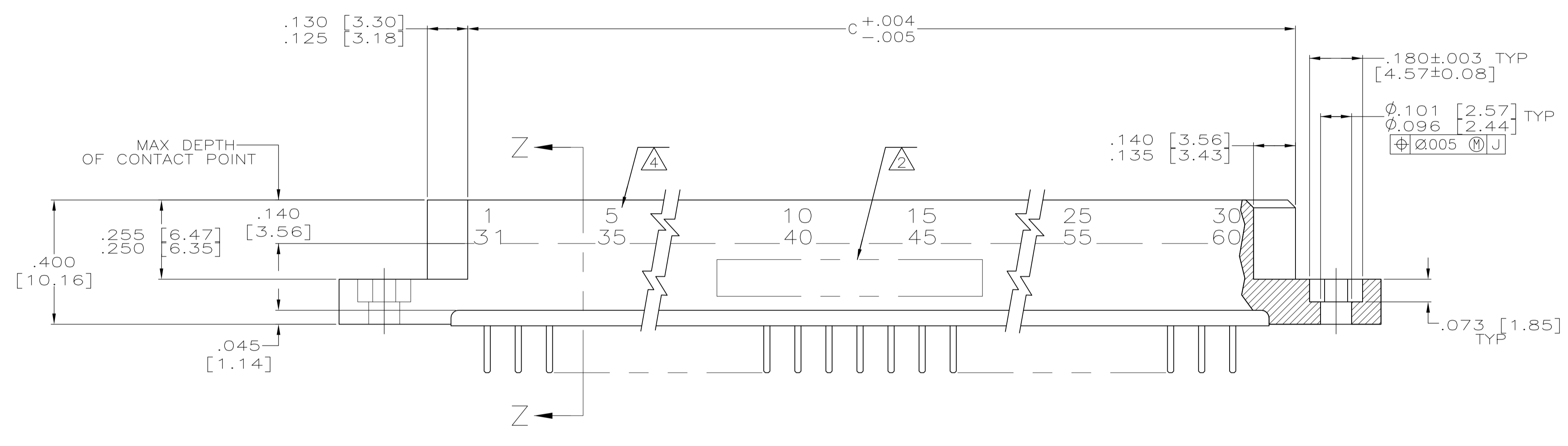


LOC	DIST	REVISIONS			
REV	LTR	DESCRIPTION	DATE	OWN	APVD
F		REV PER ECO-07-024748	22OCT07	PY	DW
G		REV PER ECO-08-014327	08-04-08	PK	JW



- ⚠ NUMBERS AND LINES INDICATING EVERY FIVE CAVITIES TO BE MARKED .062 HIGH CHARS PER AMP SPEC 115-1105.
- ⚠ CUSTOMER PART NUMBER, AMP, DATE CODE AND AMP PART NUMBER MARKED IN THIS AREA.
- 3. MEETS ALL APPLICABLE REQUIREMENTS OF MIL-C-55302.
- ⚠ NUMBERS INDICATING EVERY FIVE CAVITIES MARKED ON SIDE.
- ⚠ KEY POSITION IDENTIFICATIONS MOLDED ON SURFACES SHOWN.
- ⚠ CONTACT FINISH: .000050 [0.001270] GOLD IN CONTACT AREA .000100 [0.025400] MIN TIN-LEAD ON SOLDER TAILS. ALL OVER .000030 [0.000762] - .000150 [0.00381] NICKEL.
- ⚠ EPOXY SEALANT ADDED TO BOTTOM OF HOUSING.
- ⚠ CONTACT MATERIAL: BERYLLIUM COPPER (BeCu) OR COPPER NICKEL SILICONE (CuNiSi)



CONNECTOR SIDE RECOMMENDED P.C. BOARD LAYOUT

M55302/27-189	-	1,55,56,100	5.400 [137.16]	54	5.665 [143.89]	6.065 [154.05]	6.355 [161.42]	110	530882-9
M55302/27-188	-	1,50,51,100	4.900 [124.46]	49	5.165 [131.19]	5.565 [141.35]	5.855 [148.72]	100	530882-8
M55302/27-187	-	1,45,46,90	4.400 [111.76]	44	4.665 [118.49]	5.065 [128.65]	5.355 [136.02]	90	530882-7
M55302/27-186	-	1,40,41,80	3.900 [99.06]	39	4.165 [105.79]	4.565 [115.95]	4.855 [123.32]	80	530882-6
M55302/27-185	-	1,35,36,70	3.400 [86.36]	34	3.665 [93.09]	4.065 [103.25]	4.355 [110.62]	70	530882-5
M55302/27-184	-	1,30,31,60	2.900 [73.66]	29	3.165 [80.39]	3.565 [90.55]	3.855 [97.92]	60	530882-4
M55302/27-183	4060047-3	1,25,26,50	2.400 [60.96]	24	2.655 [67.69]	3.065 [77.85]	3.355 [85.22]	50	530882-3
M55302/27-182	4060047-2	1,20,21,40	1.900 [48.26]	19	2.165 [54.99]	2.565 [65.15]	2.855 [72.52]	40	530882-2
M55302/27-181	4060047-1	1,15,16,30	1.400 [35.56]	14	1.665 [42.29]	2.065 [52.45]	2.355 [59.82]	30	530882-1
MILITARY PART NUMBER	CUSTOMER PART NUMBER	CONTACT IDENT. NUMBERS	E	D	C	B	A	NO OF POSN	PART NUMBER

THIS DOCUMENT CONTAINS TECHNICAL DATA AS DEFINED IN 22CFR PART 120.10 OF THE INTERNATIONAL TRAFFIC IN ARMS REGULATIONS (ITAR) AND IS SUBJECT TO THE EXPORT CONTROL LAWS OF THE U.S. GOVERNMENT. TRANSFER OF THIS DATA BY ANY MEANS TO A FOREIGN PERSON, AS DEFINED IN 22CFR PART 120.16 OF ITAR, WHETHER IN THE U.S. OR ABROAD, WITHOUT AN EXPORT LICENSE OR OTHER APPROVAL FROM THE U.S. DEPARTMENT OF STATE, IS PROHIBITED.

THIS DRAWING IS A CONTROLLED DOCUMENT.

DIMENSIONS: INCHES	TOLERANCES UNLESS OTHERWISE SPECIFIED:	DW: P. YEAGER 21MAR07	3-18-05	DR: D. MILLER	3-18-05	APVD: D. MILLER	3-18-05	NAME: RCPT ASSY, 1000 SERIES BOX, SEALED W/ .010 X .020 POSTS & EXTERNAL KEYING				
0 PLC ± -	1 PLC ± -	2 PLC ± -	3 PLC ± -	4 PLC ± -	ANGLES ± -	MATERIAL: - ⚠	FINISH: - ⚠	WEIGHT: -	SIZE: A1	CAGE CODE: 00779	DRAWING NO: 530882	RESTRICTED TO: -
CUSTOMER DRAWING								SCALE: 4:1	SHEET: 1 OF 1	REV: G		