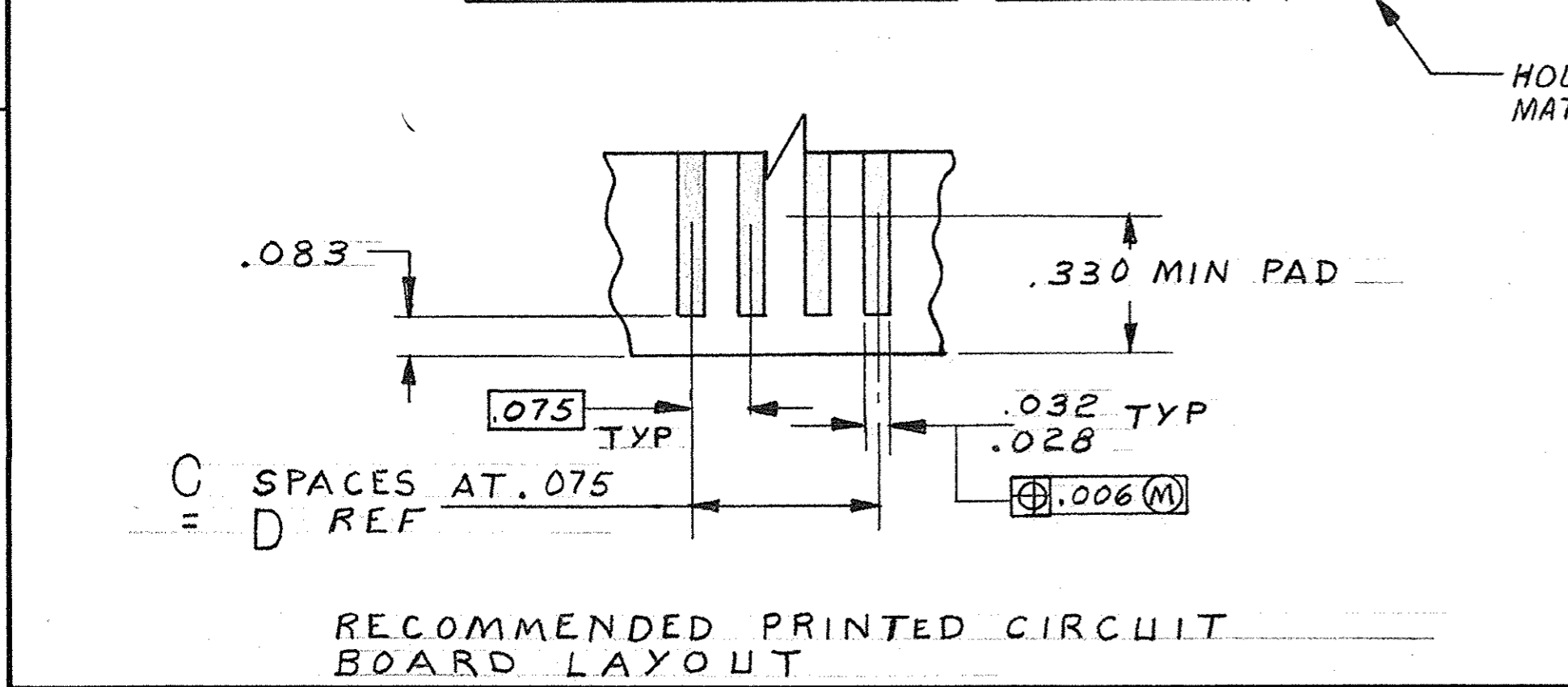
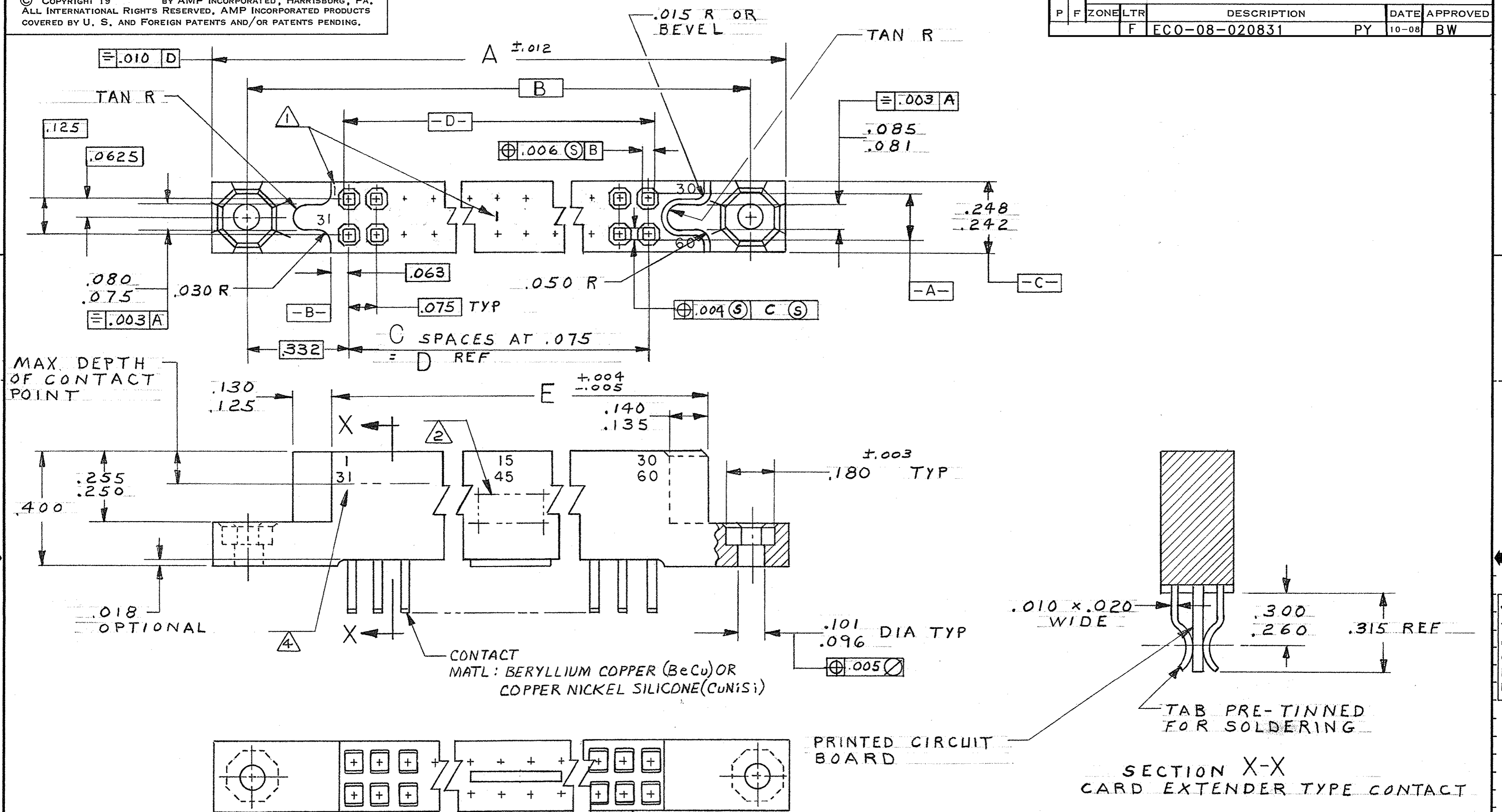


© COPYRIGHT 19 BY AMP INCORPORATED, HARRISBURG, PA.  
 ALL INTERNATIONAL RIGHTS RESERVED. AMP INCORPORATED PRODUCTS  
 COVERED BY U. S. AND FOREIGN PATENTS AND/OR PATENTS PENDING.

REVISIONS						
P	F	ZONE	LTR	DESCRIPTION	DATE	APPROVED
	F			ECO-08-020831	PY	10-08 BW



UNLESS OTHERWISE SPECIFIED DIMENSIONS ARE IN INCHES. TOLERANCES ON: DECIMALS ±.005 ANGLES ±		CONTRACT NO DR <i>M. Smith</i> 10-15-79 CHK <i>Roger W. Dunbar</i> 11/7/79 APPD <i>Roger W. Dunbar</i> 11/7/79 APPD <i>B. [Signature]</i> 11/81 DSGN APPD OTHER APPD		PART NO <b>AMP</b>   AMP INCORPORATED Harrisburg, Pa.	
MATERIAL SEE CALLOUTS		FINISH-RCPT CONTACTS: 5		NAME RCPT ASSY, 750 SERIES BOX CARD EXTENDER, WITH EXTERNAL KEYING	
FINISH-RCPT CONTACTS: 5		SIZE C	CODE IDENT NO 00779	DRAWING NO 531144	REV F
SCALE 4:1		SHEET 1 OF 2			

531144

© COPYRIGHT 19 BY AMP INCORPORATED, HARRISBURG, PA.  
 ALL INTERNATIONAL RIGHTS RESERVED. AMP INCORPORATED PRODUCTS  
 COVERED BY U. S. AND FOREIGN PATENTS AND/OR PATENTS PENDING.

REVISIONS				DATE	APPROVED
P	F	ZONE	LTR	DESCRIPTION	
				SEE SHEET 1	

- ① NUMBER (SEE TABLE) AND LINES INDICATING EVERY FIVE CAVITIES MARKED ON MATING FACE
- ② IDENTIFICATION MARKING PER MIL-C-55302 (SEE TABLE).
- ③ MUST MEET ALL APPLICABLE REQUIREMENTS OF MIL-C-55302.
- ④ NUMBERS INDICATING EVERY 5 CAVITIES MARKED ON SIDE (EXCEPT 10 POSITION).
- ⑤ FINISH .000050 GOLD IN CONTACT AREA, TIN-LEAD ON SOLDER TAILS, ALL OVER NICKEL UNDERPLATE

M55302/24-88	1 - 55 56 - 110	4.315	4.050	54	4.715	5.005	110	1-531144-1
M55302/24-84	1 - 50 51 - 100	3.940	3.675	49	4.340	4.630	100	1- -0
M55302/24-80	1 - 45 46 - 90	3.565	3.300	44	3.965	4.255	90	-9
M55302/24-76	1 - 40 41 - 80	3.190	2.925	39	3.590	3.880	80	-8
M55302/24-72	1 - 35 36 - 70	2.815	2.550	34	3.215	3.505	70	-7
M55302/24-68	1 - 30 31 - 60	2.440	2.175	29	2.840	3.130	60	-6
M55302/24-64	1 - 25 26 - 50	2.065	1.800	24	2.465	2.775	50	-5
M55302/24-60	1 - 20 21 - 40	1.690	1.425	19	2.090	2.380	40	-4
M55302/24-56	1 - 15 16 - 30	1.315	1.050	14	1.715	2.005	30	-3
M55302/24-52	1 - 10 11 - 20	.940	.675	9	1.340	1.630	20	-2
M55302/24-48	1 - 5 6 - 10	.565	.300	4	.965	1.255	10	531144-1
MIL-C-55302 PART NO	CONTACT IDENT NO	E	D	C	B	A	NO OF POSITIONS	PART NO

UNLESS OTHERWISE SPECIFIED DIMENSIONS ARE IN INCHES. TOLERANCES ON: DECIMALS ± .005 ANGLES ±	CONTRACT NO 10-15-79	AMP INCORPORATED Harrisburg, Pa.	
	DR <i>M. Smith</i>	NAME RCPT ASSY, 750 SERIES BOX CARD EXTENDER, WITH EXTERNAL KEYING	
MATERIAL	CHK <i>Roy W. Duchi</i> 11/77	APPD <i>Roy W. Duchi</i> 4/7/79	
FINISH	APPD <i>Roy W. Duchi</i> 11/8/79	DSGN APPD	
	OTHER APPD	SIZE C	CODE IDENT NO 00779
		DRAWING NO 531144	
		SCALE	REV F
		SHEET 2	

531144