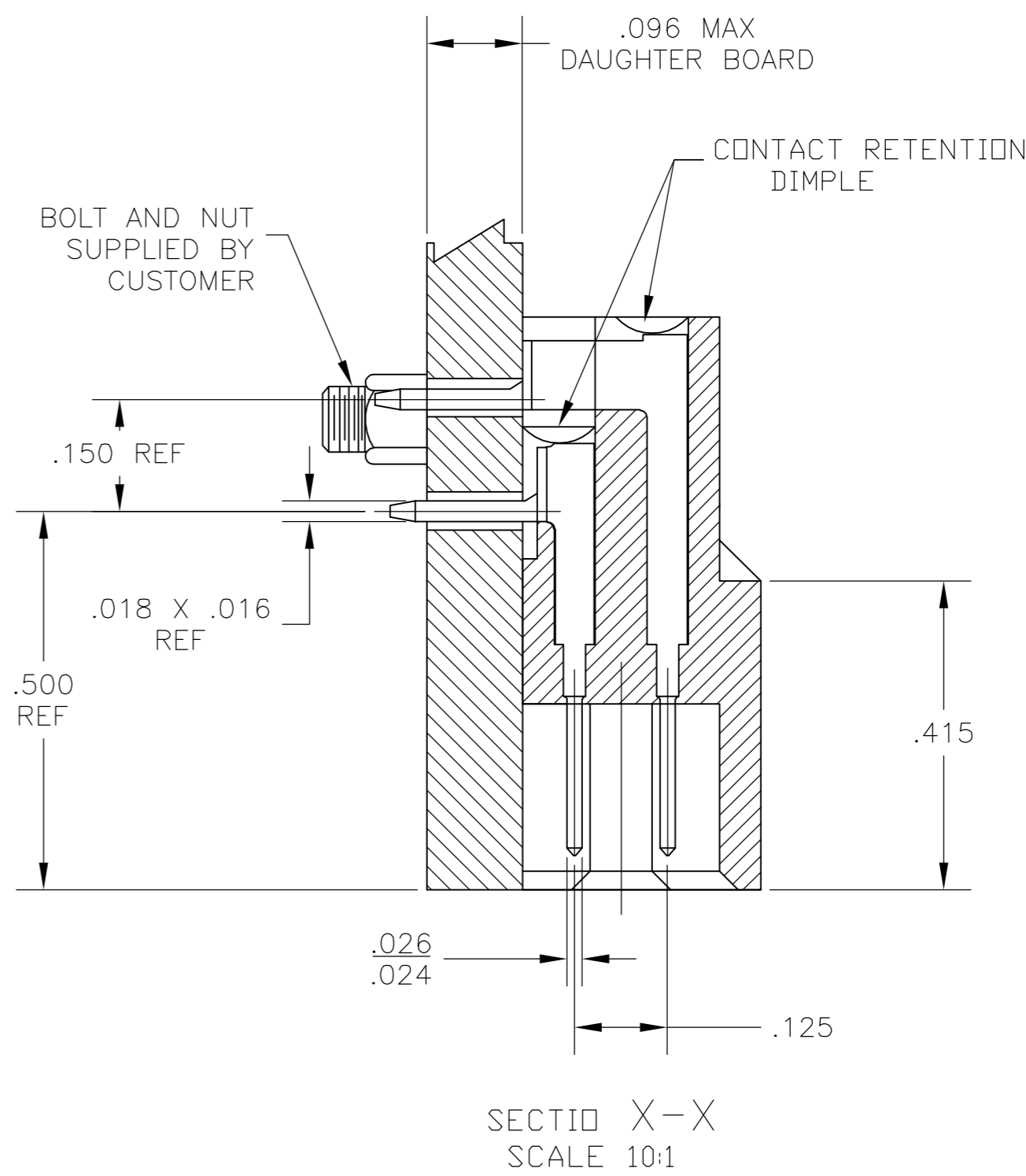
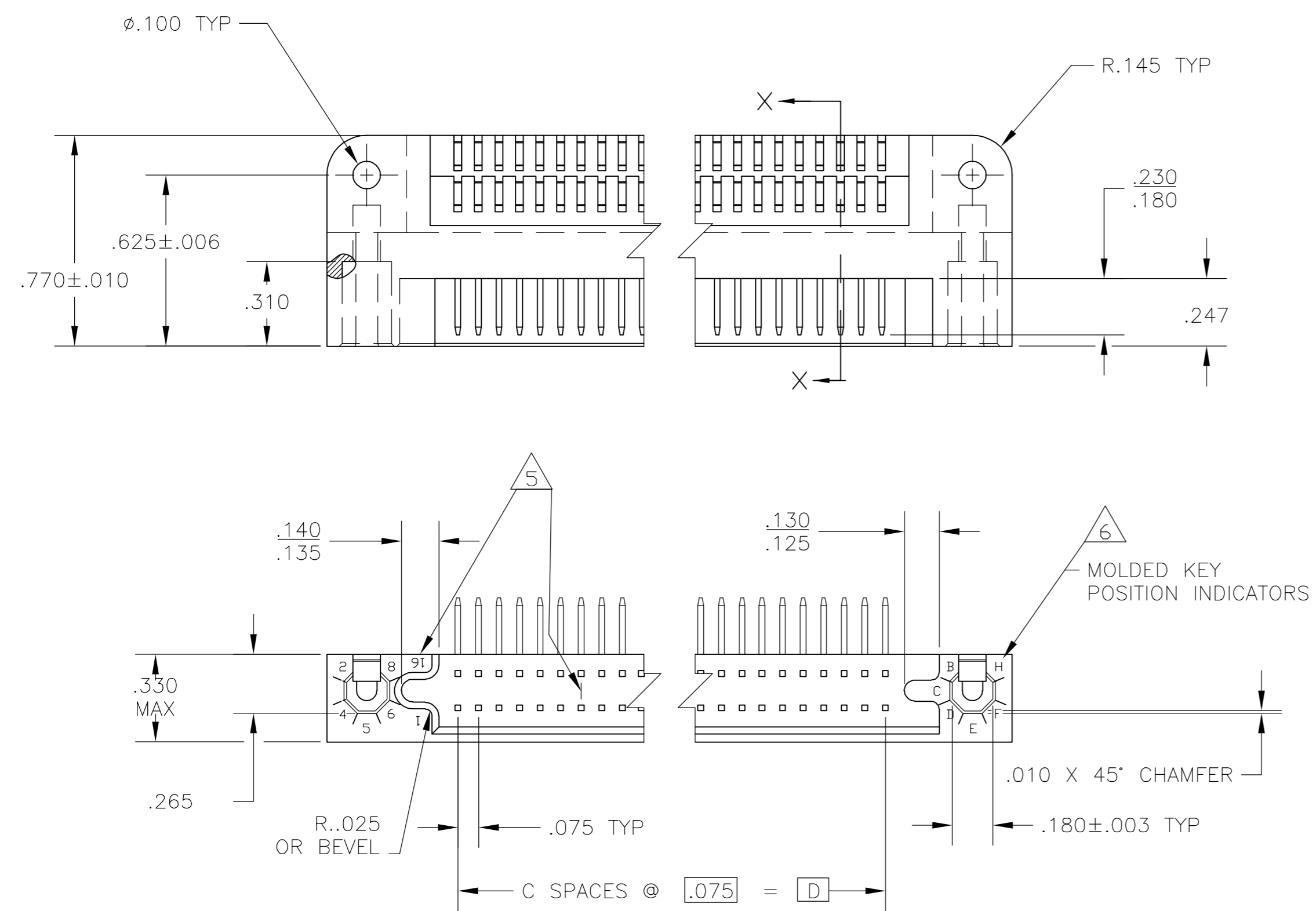
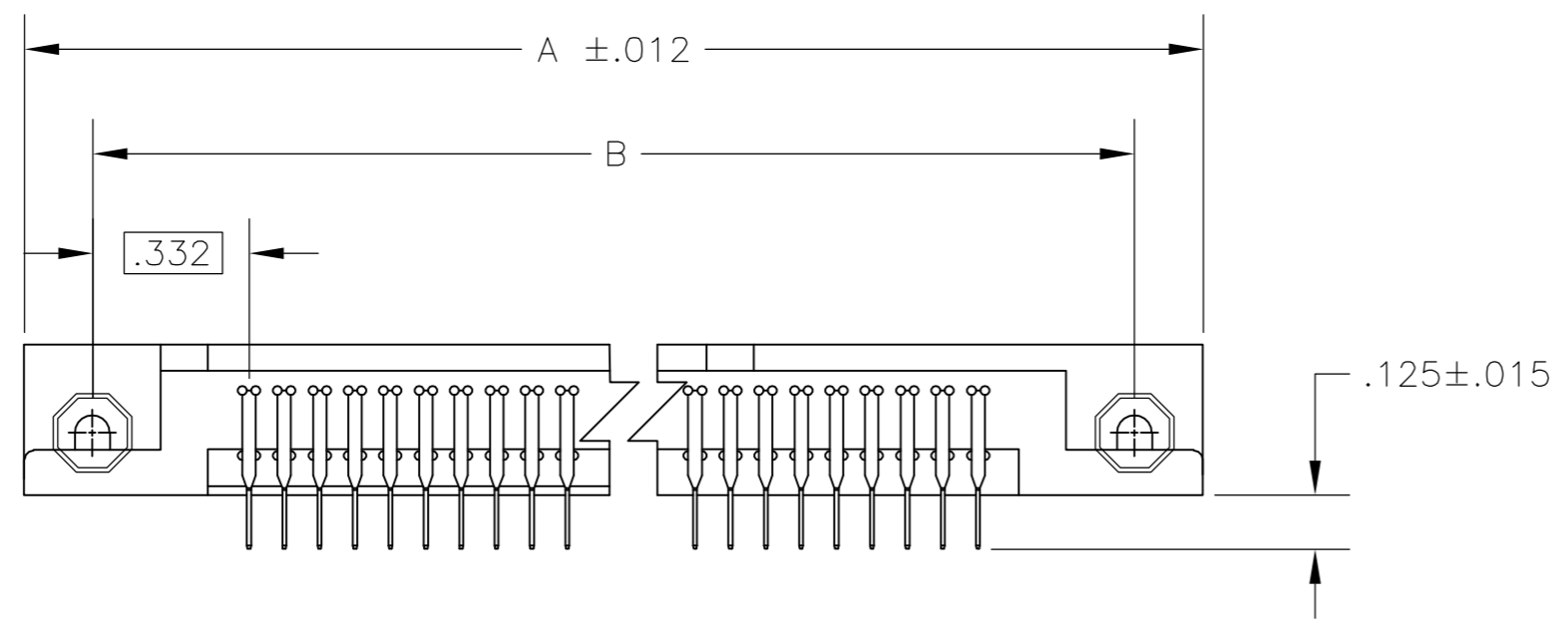


THIS DRAWING IS UNPUBLISHED. RELEASED FOR PUBLICATION  
 © COPYRIGHT BY TYCO ELECTRONICS CORPORATION. ALL RIGHTS RESERVED.

LOC	DIST	REVISIONS			
P	LTR	DESCRIPTION	DATE	DWN	APVD
C		REV PER EC OH14-0215-05	17JAN06	BL	CCT

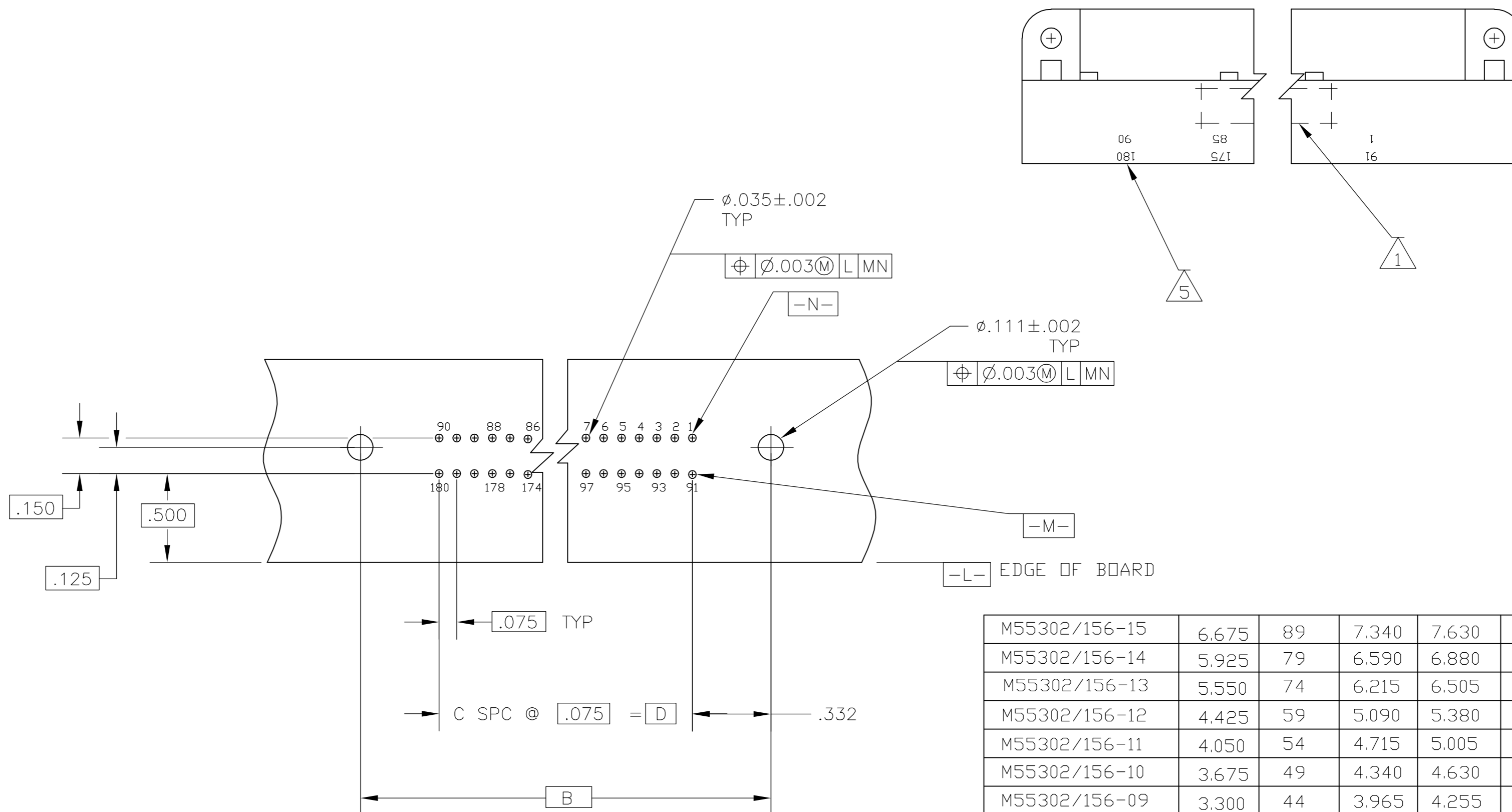


THIS DRAWING IS A CONTROLLED DOCUMENT.		DWN B. LATTUCA 17JAN2006	 Tyco Electronics Corporation Harrisburg, PA 17105-3608																					
DIMENSIONS: INCHES		CHK C.C. THOMAS 17JAN2006																						
TOLERANCES UNLESS OTHERWISE SPECIFIED:		APVD C.C. THOMAS 17JAN2006	NAME PIN ASSEMBLY, RIGHT ANGLE, 751 SERIES, BOX CONNECTOR																					
<table border="0"> <tr><td>0 PLC</td><td>±</td><td>-</td></tr> <tr><td>1 PLC</td><td>±</td><td>-</td></tr> <tr><td>2 PLC</td><td>±</td><td>-</td></tr> <tr><td>3 PLC</td><td>±</td><td>-</td></tr> <tr><td>4 PLC</td><td>±</td><td>-</td></tr> <tr><td>ANGLES</td><td>±</td><td>-</td></tr> <tr><td>FINISH</td><td></td><td></td></tr> </table>		0 PLC	±	-	1 PLC	±	-	2 PLC	±	-	3 PLC	±	-	4 PLC	±	-	ANGLES	±	-	FINISH			PRODUCT SPEC APPLICATION SPEC	SIZE A2
0 PLC	±	-																						
1 PLC	±	-																						
2 PLC	±	-																						
3 PLC	±	-																						
4 PLC	±	-																						
ANGLES	±	-																						
FINISH																								
MATERIAL		WEIGHT -	CAGE CODE 00779																					
		DRAWING NO C=531719																						
CUSTOMER DRAWING		SCALE 4:1	RESTRICTED TO -																					
		SHEET 1 of 2	REV C																					

531719

THIS DRAWING IS UNPUBLISHED. RELEASED FOR PUBLICATION  
 © COPYRIGHT BY TYCO ELECTRONICS CORPORATION. ALL RIGHTS RESERVED.

LOC	DIST	REVISIONS					
DF	X5	P	LTR	DESCRIPTION	DATE	DWN	APVD
		C		REV PER EC OH14-0215-05	17JAN06	BL	CCT



RECOMMENDED PC BOARD LAYOUT  
(CONNECTOR SIDE)

M55302/156-15	6.675	89	7.340	7.630	180	1-531719-5
M55302/156-14	5.925	79	6.590	6.880	160	1-531719-4
M55302/156-13	5.550	74	6.215	6.505	150	1-531719-3
M55302/156-12	4.425	59	5.090	5.380	120	1-531719-2
M55302/156-11	4.050	54	4.715	5.005	110	1-531719-1
M55302/156-10	3.675	49	4.340	4.630	100	1-531719-0
M55302/156-09	3.300	44	3.965	4.255	90	531719-9
M55302/156-08	2.925	39	3.590	3.880	80	531719-8
M55302/156-07	2.550	34	3.215	3.505	70	531719-7
M55302/156-06	2.175	29	2.840	3.130	60	531719-6
M55302/156-05	1.800	24	2.465	2.755	50	531719-5
M55302/156-04	1.425	19	2.090	2.380	40	531719-4
M55302/156-03	1.050	14	1.715	2.005	30	531719-3
M55302/156-02	.675	9	1.340	1.630	20	531719-2
M55302/156-01	.300	4	.965	1.225	10	531719-1
MILITARY PART NUMBER	D	C	B	A	NO OF POSITIONS	PART NO

- 1 AMP, PART NUMBER, MILITARY P/N, DATE CODE, 00779 MARKED THIS AREA.
- 2 HOUSING MATERIAL: GLASS FILLED POLYESTER, COLOR: BLUE.
- 3 CONTACT MATERIAL- BRASS  
FINISH- .000050 GOLD OVER .000050 NICKEL IN CONTACT AREA, TIN-LEAD PLATE OVER NICKEL ON SOLDER SIDE.
- 4 MIL-C-55302 GROUP INSPECTION REQUIRED.
- 5 NUMBERS AND LINES INDICATING EVERY 5 CAVITIES MARKED ON MATING FACE. NUMBERS INDICATING EVERY 5 CAVITIES MARKED ON SIDE.
- 6 KEY POSITION IDENTIFICATION MOLDED ON SURFACE SHOWN.

THIS DRAWING IS A CONTROLLED DOCUMENT.

DIMENSIONS: INCHES	TOLERANCES UNLESS OTHERWISE SPECIFIED:	DWN B. LATTUCA 17JAN2006	Tyco Electronics Corporation Harrisburg, PA 17105-3608
	0 PLC ± - 1 PLC ± - 2 PLC ± - 3 PLC ± - 4 PLC ± - ANGLES ± - FINISH	CHK C.C. THOMAS 17JAN2006	
		APVD C.C. THOMAS 17JAN2006	
		PRODUCT SPEC	
MATERIAL	FINISH	NAME	PIN ASSEMBLY, RIGHT ANGLE, 751 SERIES, BOX CONNECTOR
		SIZE A2	CAGE CODE 00779
CUSTOMER DRAWING		DRAWING NO C=531719	RESTRICTED TO -
		SCALE 4:1	SHEET 2 OF 2
		REV C	