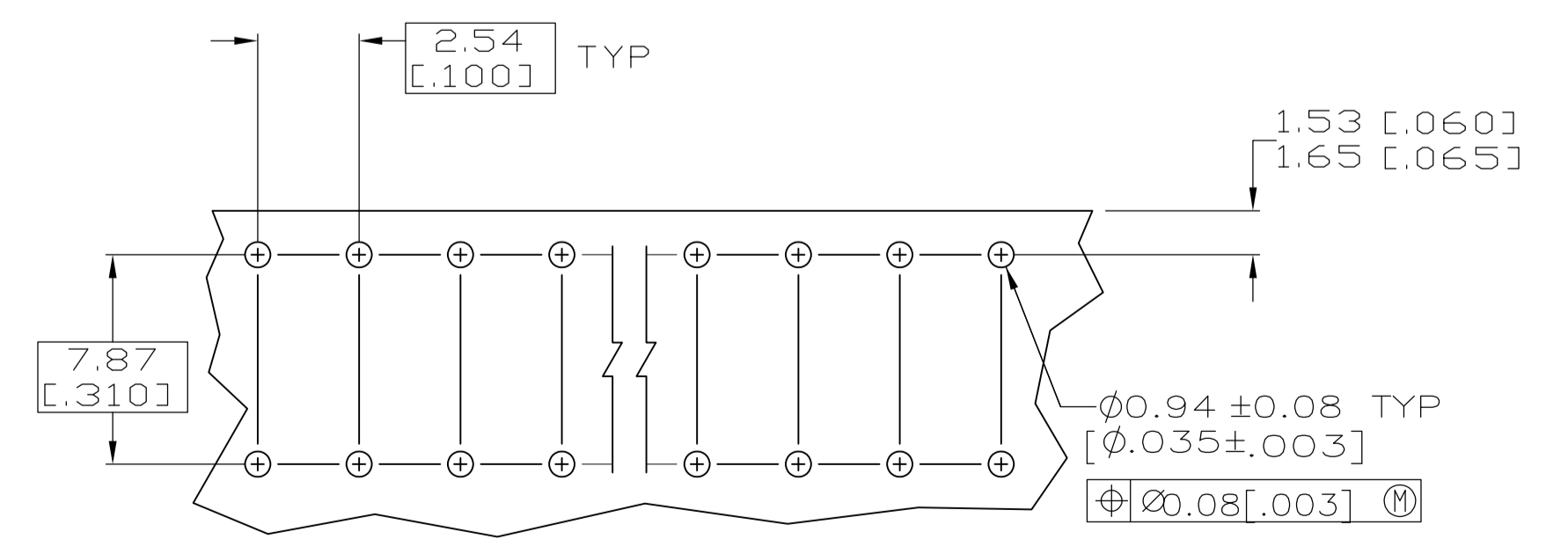
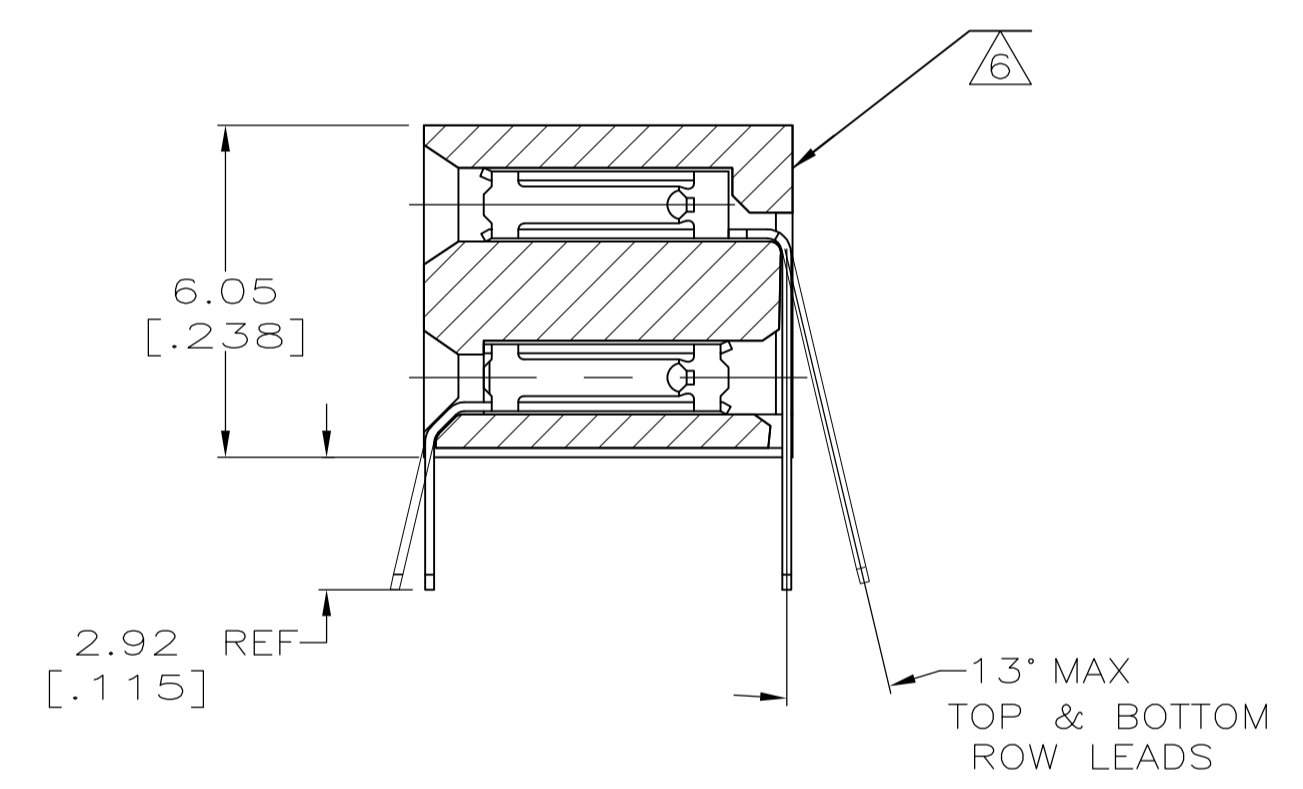
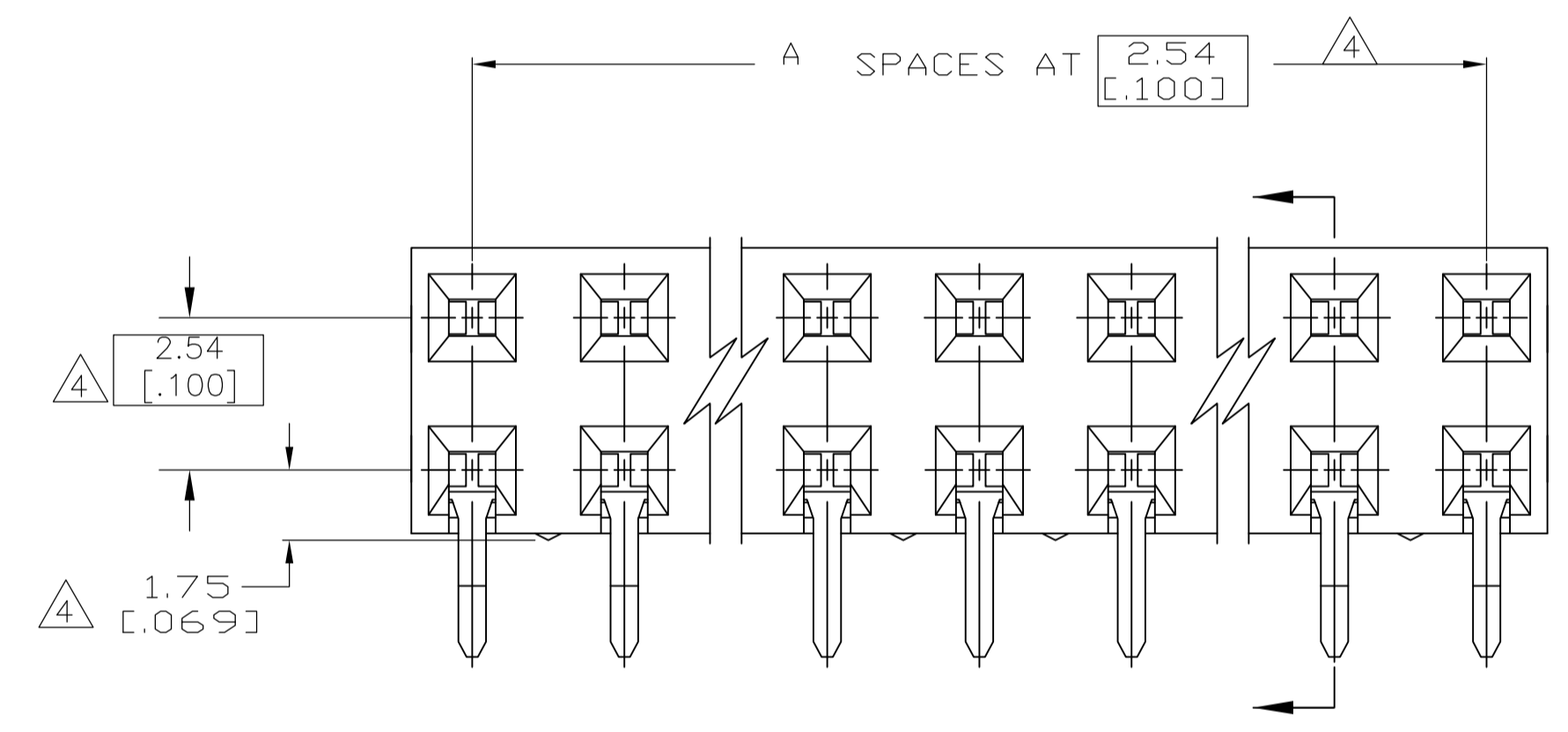
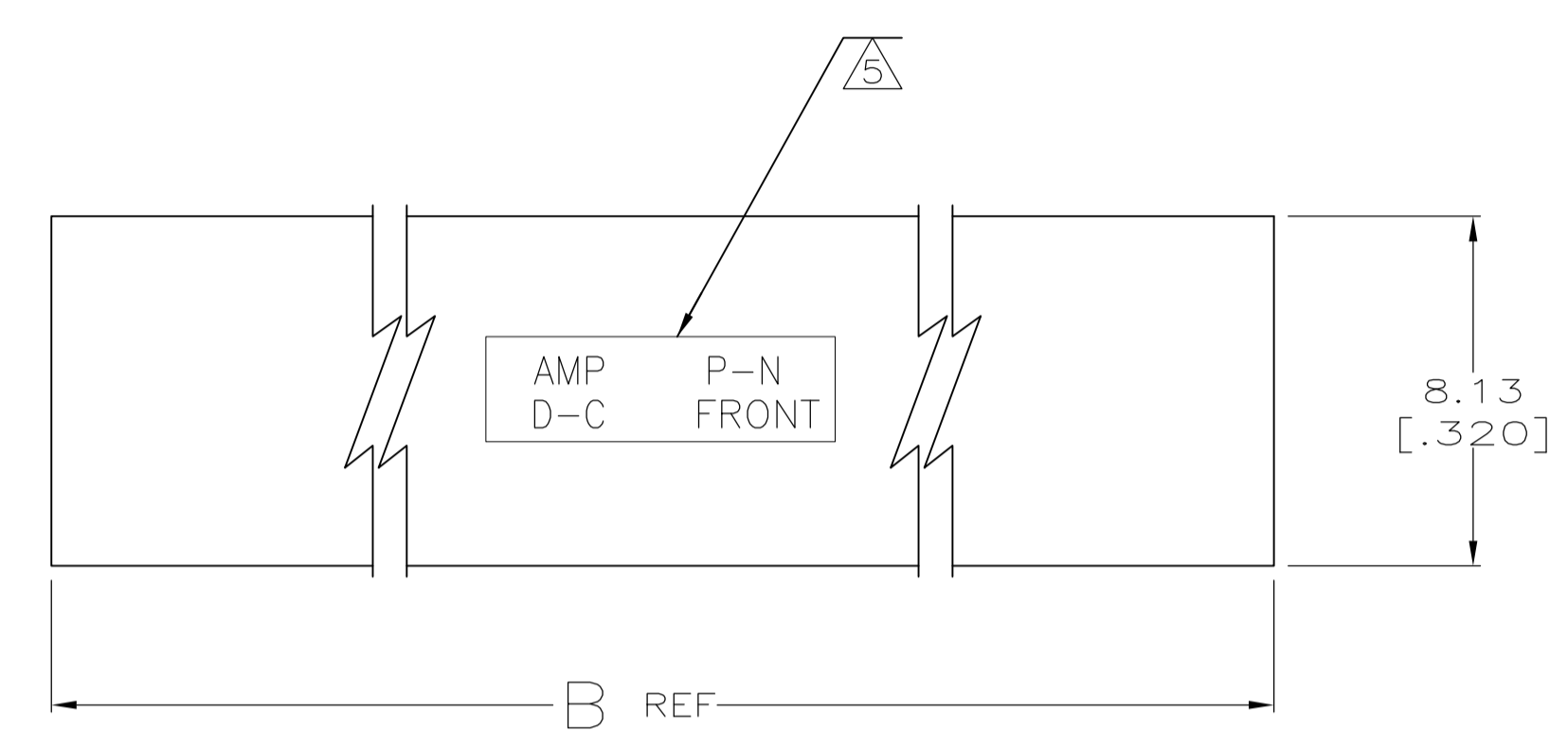


LOC		DIST		REVISIONS			
DF	ZO	REV	PER	ECO	DATE	DMN	APVD
		D	REV	PER	ECO 07-10278	5-8-07	CT ND



- △ HOUSING, THERMOSET, COLOR: BLUE
- △ BERYLLIUM COPPER
- △ GOLD FLASH OVER .000050(0.00127) NICKEL ALL OVER (EXCEPT SHEARED EDGES) .000050(0.00127) GOLD IN CONTACT AREA, SOLDER TAILS PRE-TINNED WITH 63/37 TIN-LEAD, .020 MAX FROM HOUSING SEATING PLANE.
- △ THESE DIMENSIONS PERTAIN TO CAVITY CENTER LINES--NOT TO CONTACT LOCATIONS.
- △ AMP, DATE CODE, AMP PART NUMBER AND THE WORD 'FRONT'.
- △ SLOT OPTIONAL AT INDICATED AREAS OF HOUSING.

8.64 [.340]	2	6	535634-4
16.26 [.640]	5	12	535634-3
54.36 [2.140]	20	42	535634-2
166.12 [6.54]	64	130	535634-1
B	A	NO OF POSN	PART NUMBER

THIS DRAWING IS A CONTROLLED DOCUMENT.

DIMENSIONS: INCHES	TOLERANCES UNLESS OTHERWISE SPECIFIED:	DIN R. BOLES 12/2/92	CHK T. KINSEY 12/2/92	APVD T. KINSEY 12/2/92	NAME
0. PLC ± -	1. PLC ± -	2. PLC ± 0.13 [.005]	3. PLC ± -	4. PLC ANGLES ± -	AMPMODU MOD II RCPT ASSY DBL-ROW, 100 C/L
MATERIAL HOUSING & CONTACTS	FINISH	CONTACTS: 1	WEIGHT Grams/Contact	SIZE 114-25018	RESTRICTED TO
△ △	△	△	△	00779	535634
CUSTOMER DRAWING				SCALE 6:1	SHEET 1 OF 1 REV D

AMP Tyco Electronics Corporation
Harrisburg, PA 17105-3608