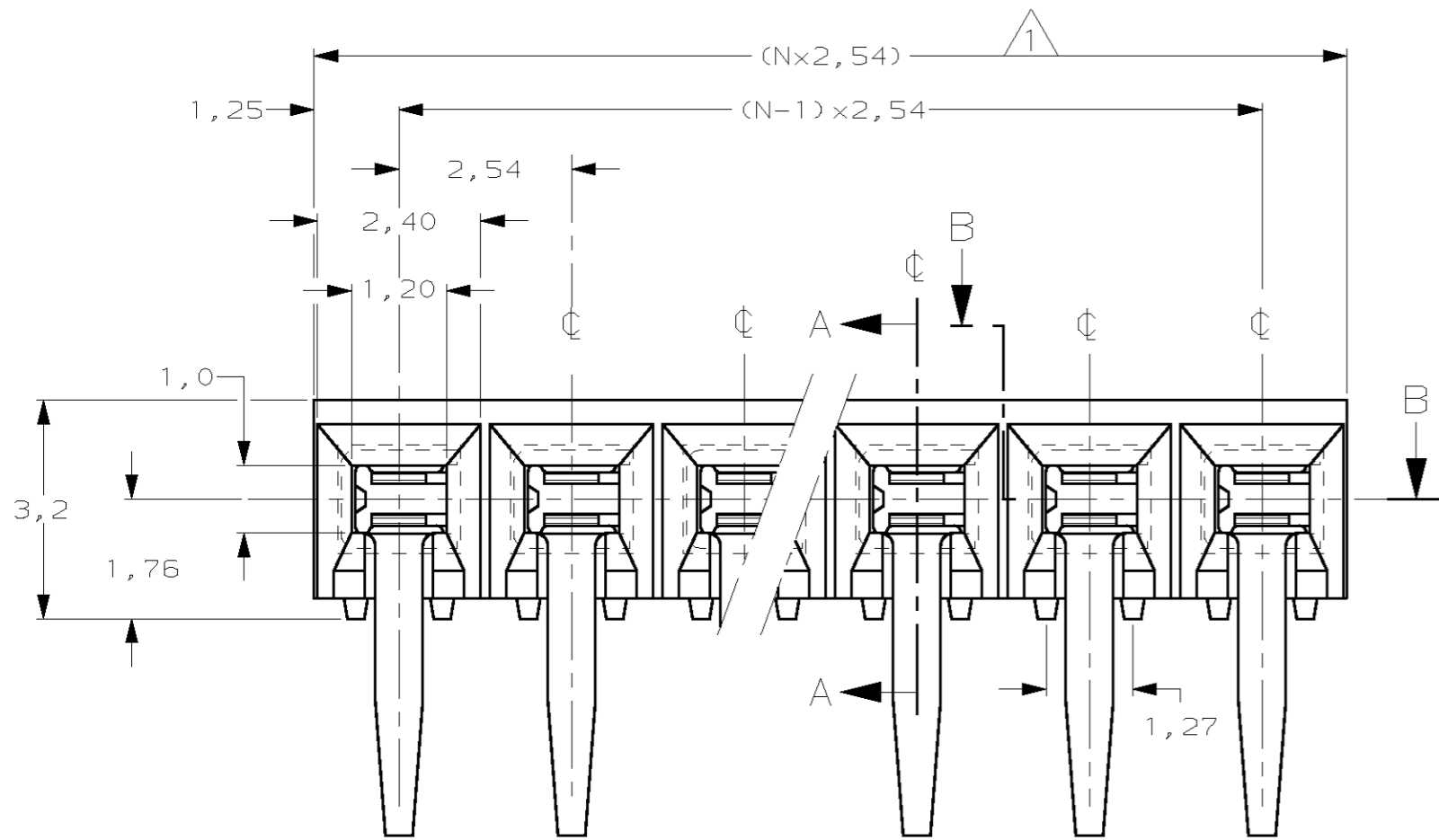
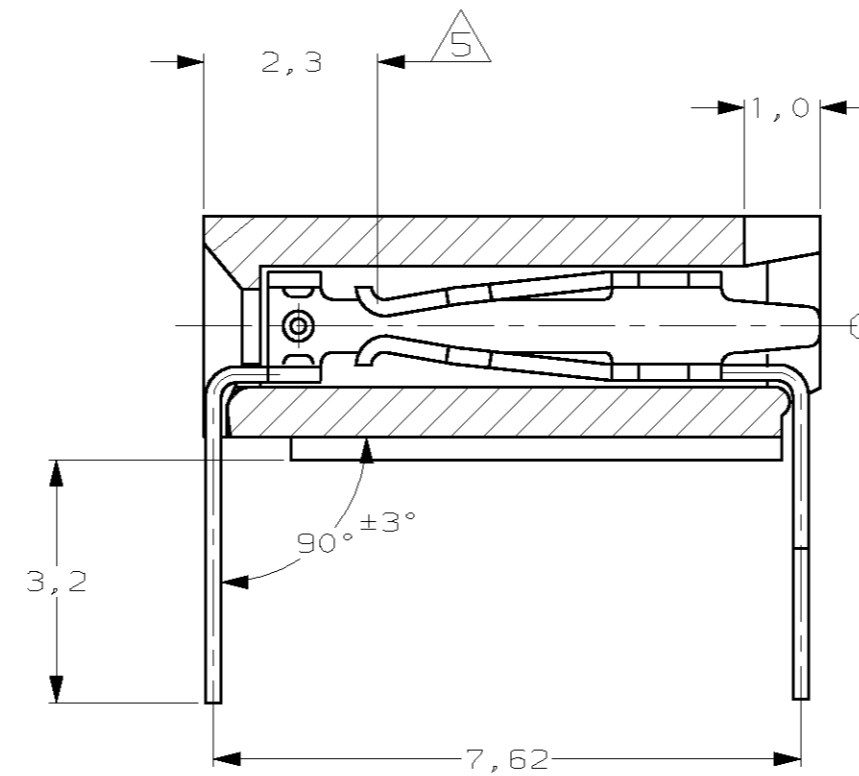


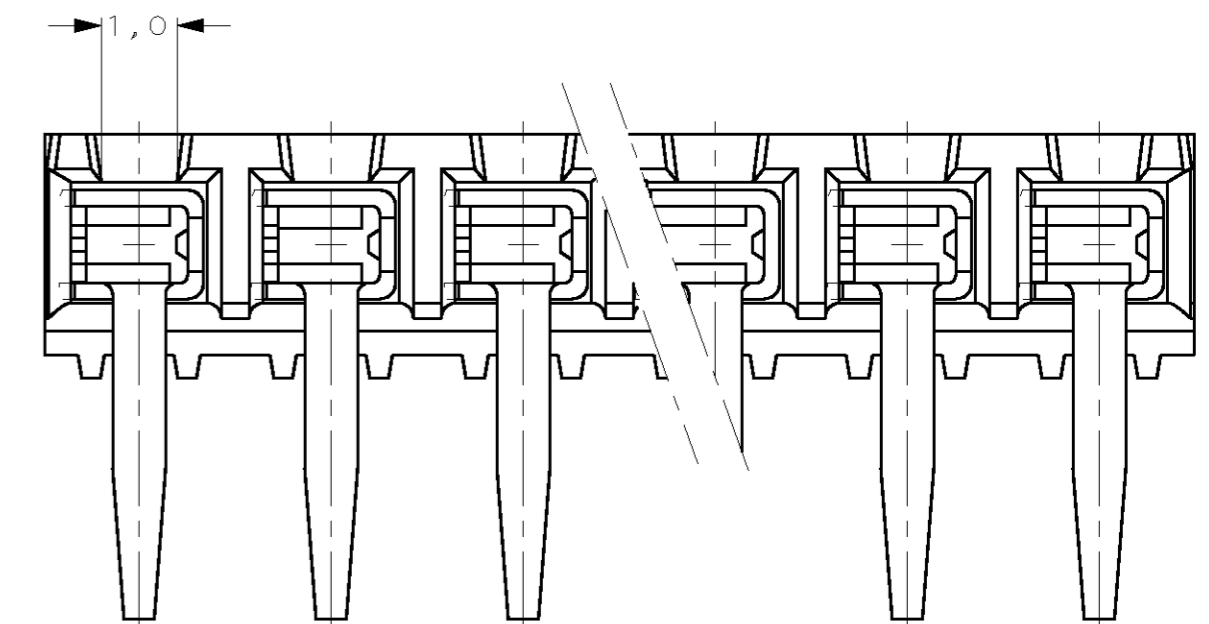
SECTION B-B/TOPVIEW



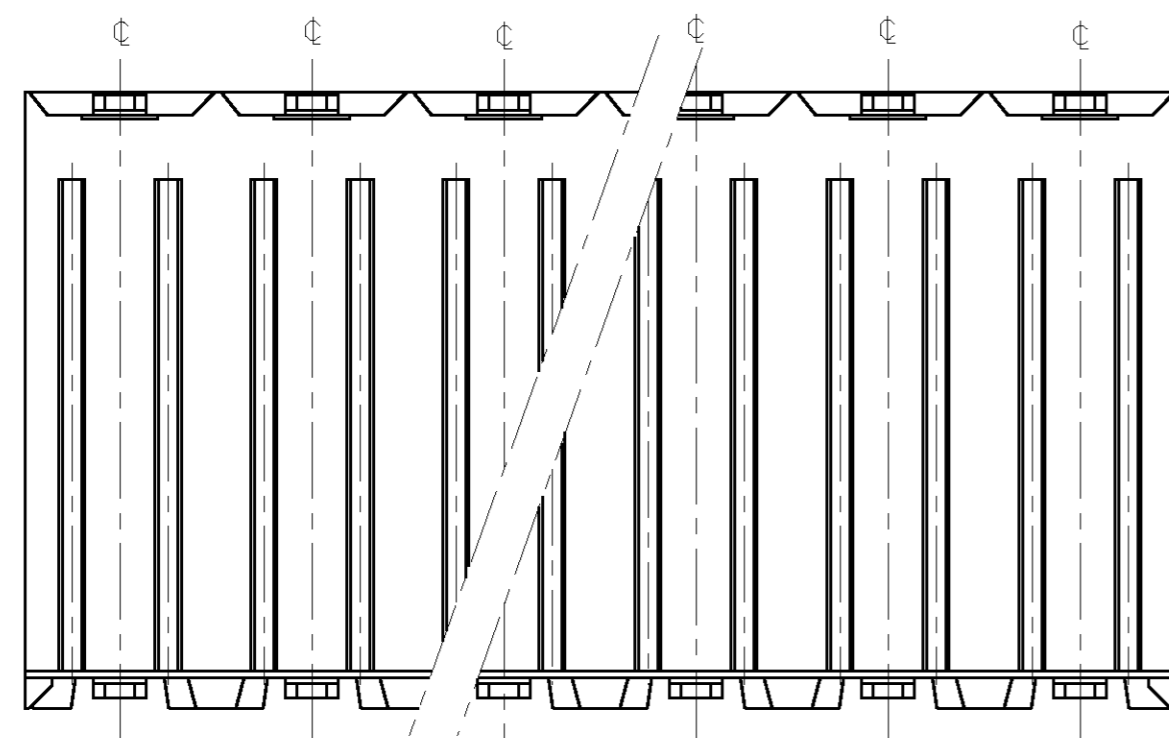
FRONT VIEW



SECTION A-A



REAR VIEW

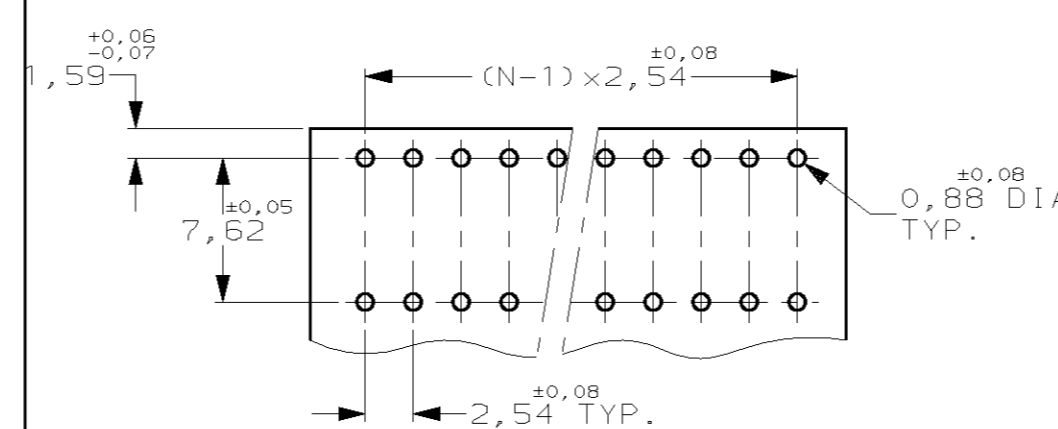


BOTTOM VIEW

NOTES:

- 1 TO DETERMINE DIMENSIONS TAKE N=NR. OF POS.
FOR EXAMPLE, 10 POS., $N \times 2,54 = 25,4$ mm.
FOR ORDER NR. USE BASIC NR.+NR. OF POS.
FOR EXAMPLE, 2 POS. = 216601-2 (SHORTEST VERSION)
65 POS. = 6-216601-5 (LONGEST VERSION)
 - 2 HOUSING MATERIAL, GREEN GLASSFILLED POLYESTER, UL 94V-0
CONTACT MATERIAL, PHOSPHORBRONZE.
 - 3 PLATING: 3,0-5,0 μ m TIN.
 - 4 MATES WITH 0,63 SQUARE/ROUND MODU POSTS.
 - 5 CONTACT-POINT.
 - 6 RECOMMENDED P.C. BOARD-THICKNESS, 1,6 mm.
- PRINTED: BASIC PARTNUMBER, THE WORD "AMP", PRODUCTION DATE AND A DASHED LINE OVER THE LENGTH OF HOUSING TO INDICATE CONTACT MATING SIDE.

RECOMMENDED P.C. BOARD-HOLE LAYOUT



FINISH				MATERIAL		PARTNUMBER	
-	-	-	-	-	-	CUSTOMER DRAWING FOR REFERENCE ONLY WILL NOT BE UPDATED	
-	-	-	-	-	-	© COPYRIGHT 1991 BY AMP HOLLAND B.V. ALL INTERNATIONAL RIGHTS RESERVED. AMP PRODUCTS MAY BE COVERED BY U.S. AND FOREIGN AND/OR PATENTS PENDING.	
H1	EG00-1730-03	TISZA KISS	ZITZ	13MAY03	THIS DRAWING IS UNPUBLISHED		
H	EH-0467-97	JvL	RB	06-05-97	RELEASED FOR PUBLICATION DEC, 1991		
G	EH-1294-96	RdB	RdB	07-NOV-96	AMP AMP HOLLAND B.V. 's-Hertogenbosch, The Netherlands.		
F	H-8275	LvdH	WRA	17 APR '92	NAME HV 190 HOR. ASS'Y SINGLE ROW TIN VERSION (MAX. 65 POSITIONS)		
E	ECN H9408	WRA	WRA	19-12-91			
LTR.	REVISION RECORD	DR.	CHK.	DATE			
DR.:	W.R. ANNOKKEE	CHK.:	R. BROENS	APP.:	E. LEIJTENS	DWG. No.	C-216601
DATE:	19/12/91	DATE:	19/12/91	DATE:	19/12/91	REV. LTR.	H1
						SHEET	1 OF 1
							A2