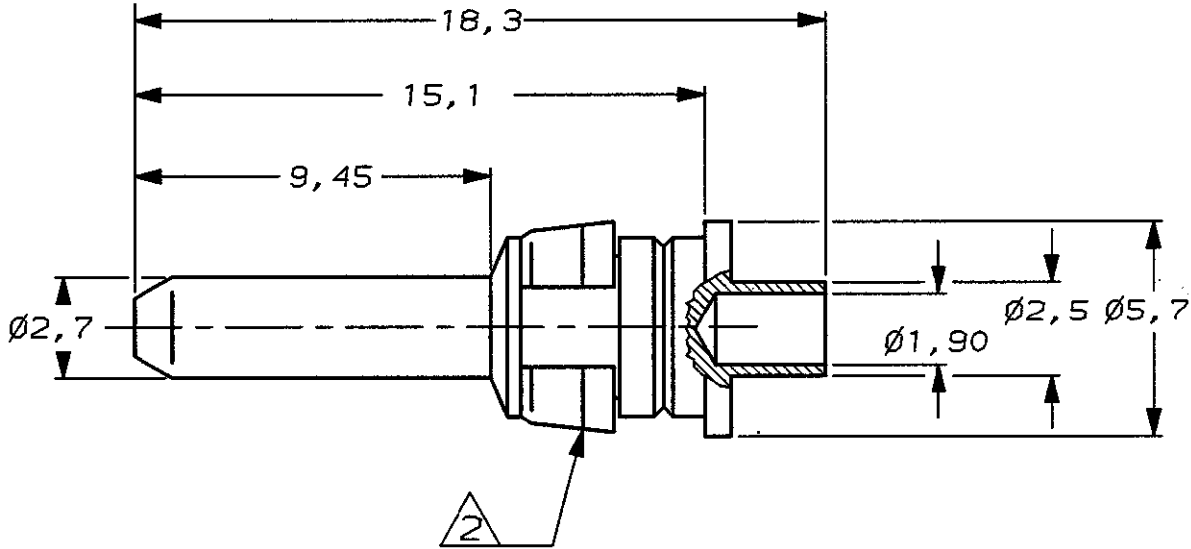
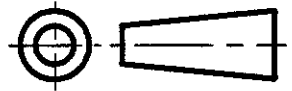


DO NOT SCALE

DIMENSIONS IN mm

METRIC

THIRD ANGLE
PROJECTION



NOTES:

1 SUITABLE FOR MALE D-IEC AND 2mm
Z-PACK HM MALE CONNECTORS.

△ 2 RETAINING RING.

GOLD (CLASS 1)		CONTACT ; BRASS			100078-1
FINISH		MATERIAL			PARTNUMBER
-	-	-	-	-	CUSTOMER DRAWING FOR REFERENCE ONLY WILL NOT BE UPDATED © COPYRIGHT 19- BY AMP HOLLAND B.V. ALL INTERNATIONAL RIGHTS RESERVED. AMP PRODUCTS MAY BE COVERED BY U.S. AND FOREIGN AND/OR PATENTS PENDING. THIS DRAWING IS UNPUBLISHED RELEASED FOR PUBLICATION _____, 19____
-	-	-	-	-	
-	-	-	-	-	
-	-	-	-	-	
-	-	-	-	-	
B	EH-1573-95	J. G.	R. v. L	21-12-95	AMP AMP HOLLAND B.V. 's-Hertogenbosch, The Netherlands.
A	H-9578	S. M.	B. M.	04-03-92	
LTR.	REVISION RECORD	DR.	CHK.	DATE	NAME POWER CONTACT MALE SHORT CUP F.M.L.B. (10 AMP)
DR.:	J. V. LIEMPT	CHK.:	J. V. BRUNSVEN	APP.:	DWG. No.
DATE:	21-03-91	DATE:		DATE:	C-100078
					REV. LTR.
					B
					SHEET
					1 OF 1
					A4