

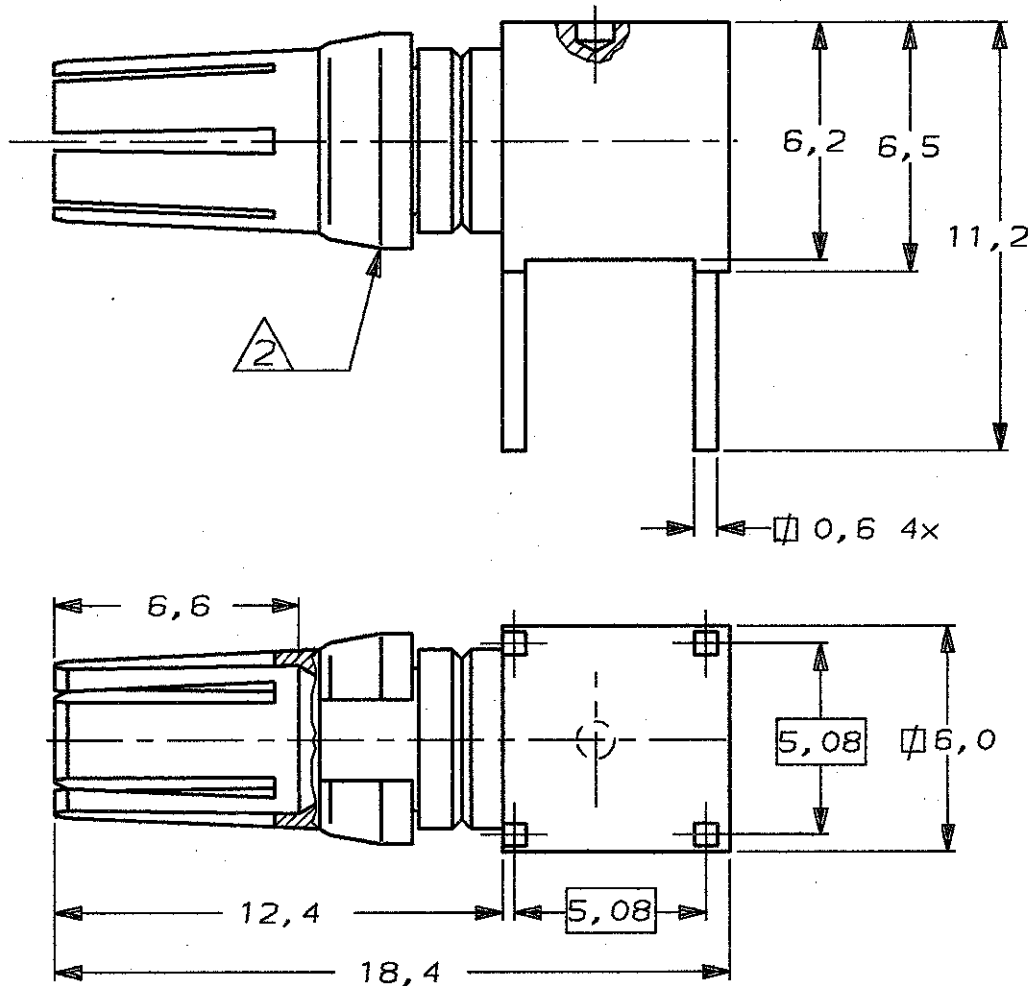
DO NOT SCALE

DIMENSIONS IN mm

METRIC

THIRD ANGLE

PROJECTION



NOTES:

1 SUITABLE FOR FEMALE D-IEC CONNECTORS.

△ RETAINING RING.

|                   |                 |                           |              |          |  |          |
|-------------------|-----------------|---------------------------|--------------|----------|--|----------|
| GOLD<br>(CLASS 1) |                 | CONTACT; BERYLLIUM COPPER |              |          | 100091-1   |          |
| FINISH            |                 | MATERIAL                  |              |          | PARTNUMBER   |          |
| -                 | -               | -                         | -            | -        | CUSTOMER DRAWING FOR REFERENCE ONLY<br>WILL NOT BE UPDATED   |          |
| -                 | -               | -                         | -            | -        | © COPYRIGHT 19- BY AMP HOLLAND B.V.<br>ALL INTERNATIONAL RIGHTS RESERVED. AMP PRODUCTS MAY BE<br>COVERED BY U.S. AND FOREIGN AND/OR PATENTS PENDING. |          |
| -                 | -               | -                         | -            | -        | THIS DRAWING IS UNPUBLISHED<br>RELEASED FOR PUBLICATION , 19   |          |
| -                 | -               | -                         | -            | -        | AMP HOLLAND B.V.<br>s-Hertogenbosch,<br>The Netherlands.   |          |
| B                 | H-9578          | S.M.                      | <i>18/2</i>  | 04-03-92 | NAME<br>POWER CONTACT FEMALE 90°<br>4 SOLDER POSTS (40 AMP)  |          |
| A                 | H-9387          | S.M.                      | <i>18/2</i>  | 11-12-91 |  |          |
| LTR.              | REVISION RECORD |                           | DR.          | CHK.     | DATE   |          |
| DR.:              | J.V.LIEMPT      | CHK.:                     | J.V.GRUNSVEN | APP.:    | L.V.SOEST  | DWG.No.  |
| DATE:             | 21-03-91        | DATE:                     | 15-04-91     | DATE:    | 18-04-91   | C-100091 |
| REV.LTR.          | B               | SHEET                     | 1 OF 1       | A4       |  |          |