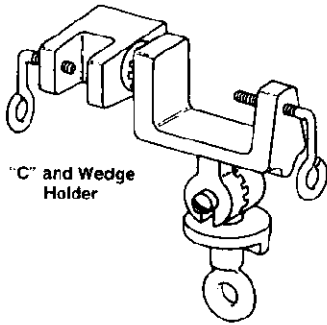


AMPACT Connectors

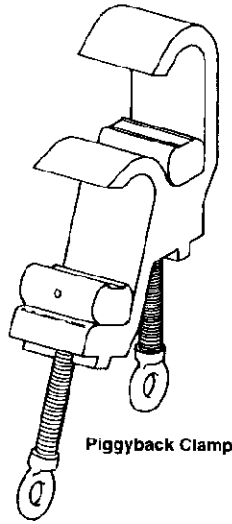
Hot-Stick Kit Accessories

Description

1-19



"C" and Wedge Holder



Piggyback Clamp

Accessories must be ordered separately from Hot-Stick Kit. Required for taps and stirrups in 795.0 to 1192.5 kcmil range.

Selection Information

Item	Part Number
"C" and Wedge Holder	69900
Piggyback Clamp	69883

Note: This clamp is not intended for continuous electrical service.