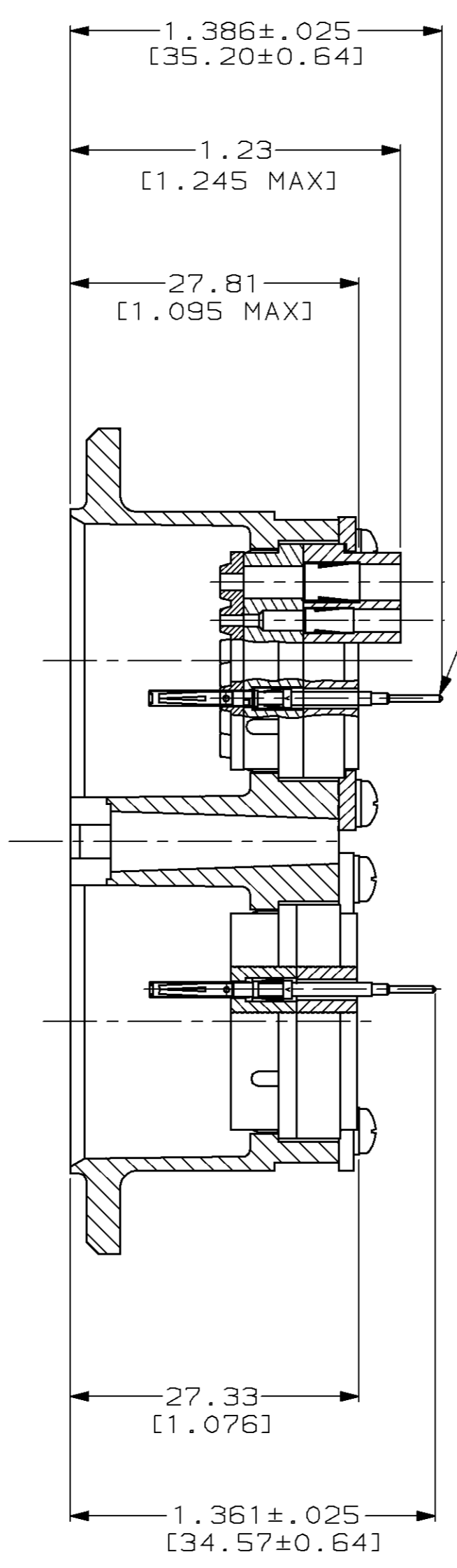
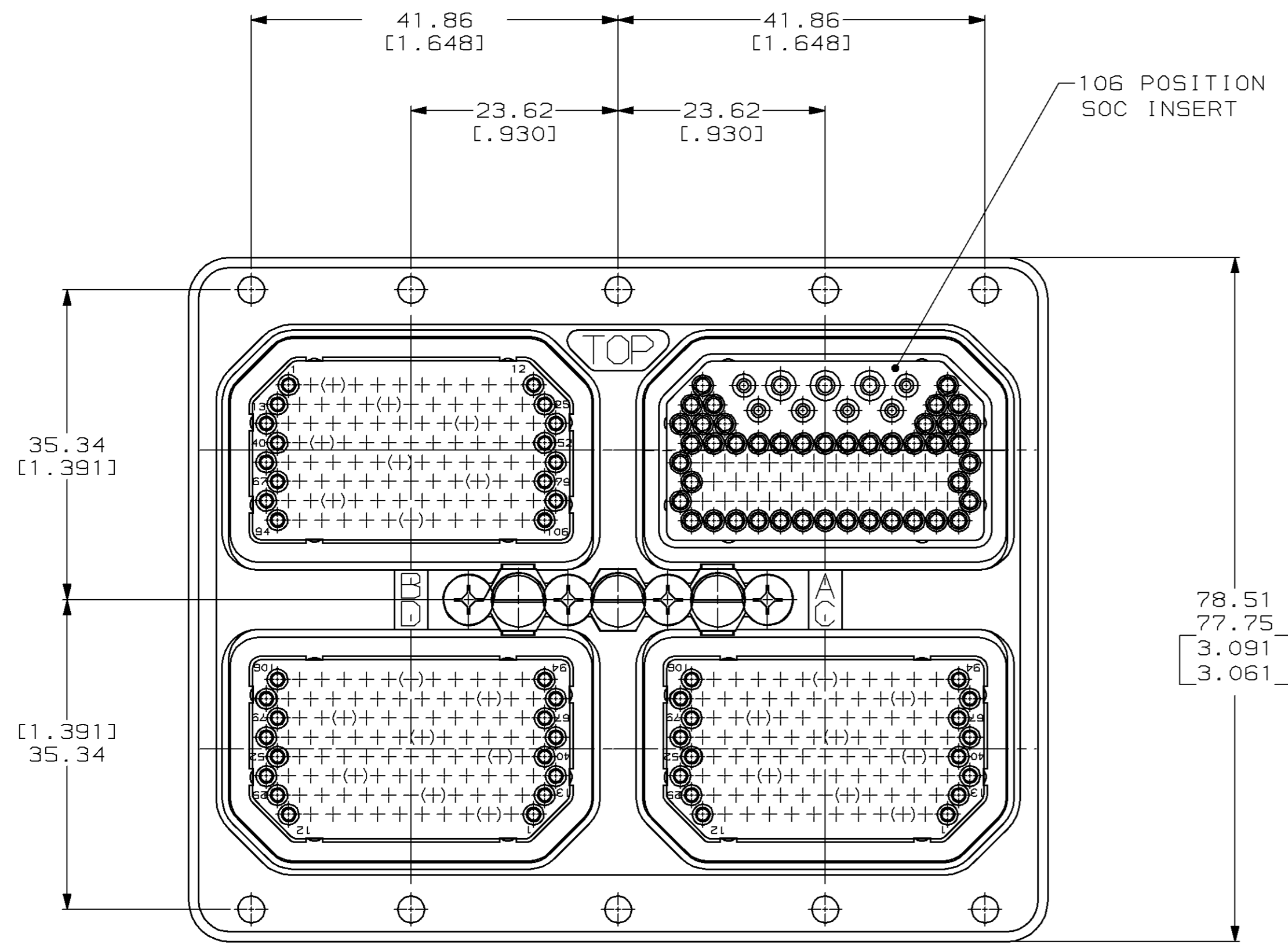
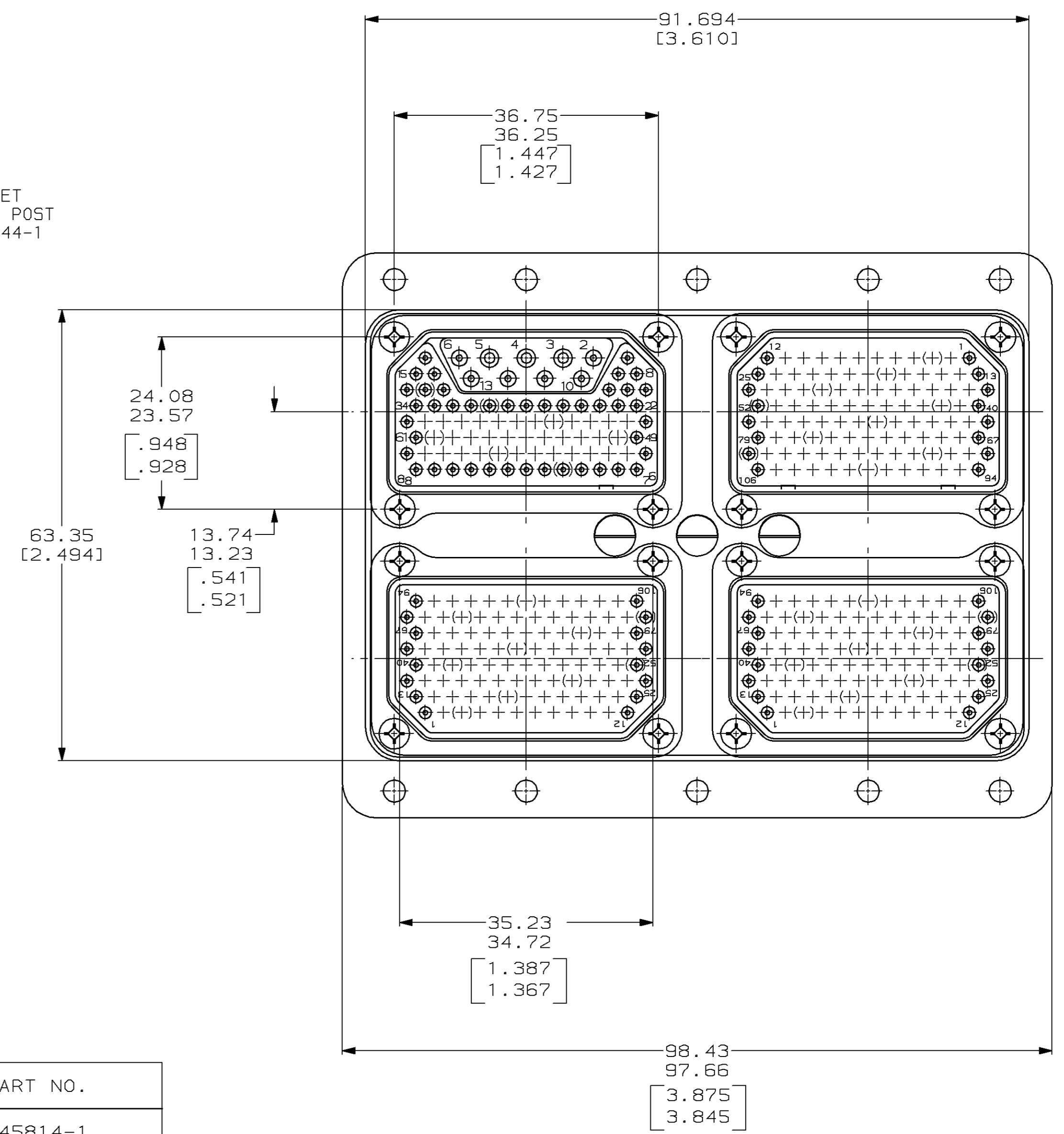


LOC		DIST		P		F		ZONE		LTR		REVISIONS		DATE	APPD		
DF	A0												O	RLSED PER DR 4-231F	TT	10-94	RG
													A	REV PER 0600-3280-94	TT	01-95	KG
													B	REV PER 0600-6571-97	JB	3-28-98	JHW



#22 SOCKET
 .025 DIA POST
 P/N 205544-1



CONTACTS	QTY	PART NO.
#22 POSTED SOCKET	397	445814-1
#20 PIN	6	204938-3
#16 PIN	3	204978-3

DO NOT SCALE PRINT. UNLESS SPECIFIED DIMENSIONS IN mm [INCHES] TOLERANCES ON: 2 PLC DEC ± - 3 PLC DEC ± .005[0.13] ANGLES ± -		DR 10-11-94 T. THOMPSON		PART NO	
MATERIAL	FINISH	CHK 10-13-94 R. GROSS	APPD 10-13-94 R. GROSS	AMP Incorporated Harrisburg, PA 17105-3608	
		APPD 10-13-94 R. GROSS	PRODUCT SPEC	NAME	
		APPLICATION SPEC	SCALE 4:1	RM4R885106510651065-00	
		WEIGHT	SIZE D	CAGE CODE 00779	DRAWING NO C=443089
				SHEET 1 OF 1	

THIS DRAWING IS A CONTROLLED DOCUMENT FOR AMP INCORPORATED. IT IS SUBJECT TO CHANGE AND THE CONTROLLING ENGINEERING ORGANIZATION SHOULD BE CONTACTED FOR THE LATEST REVISION.