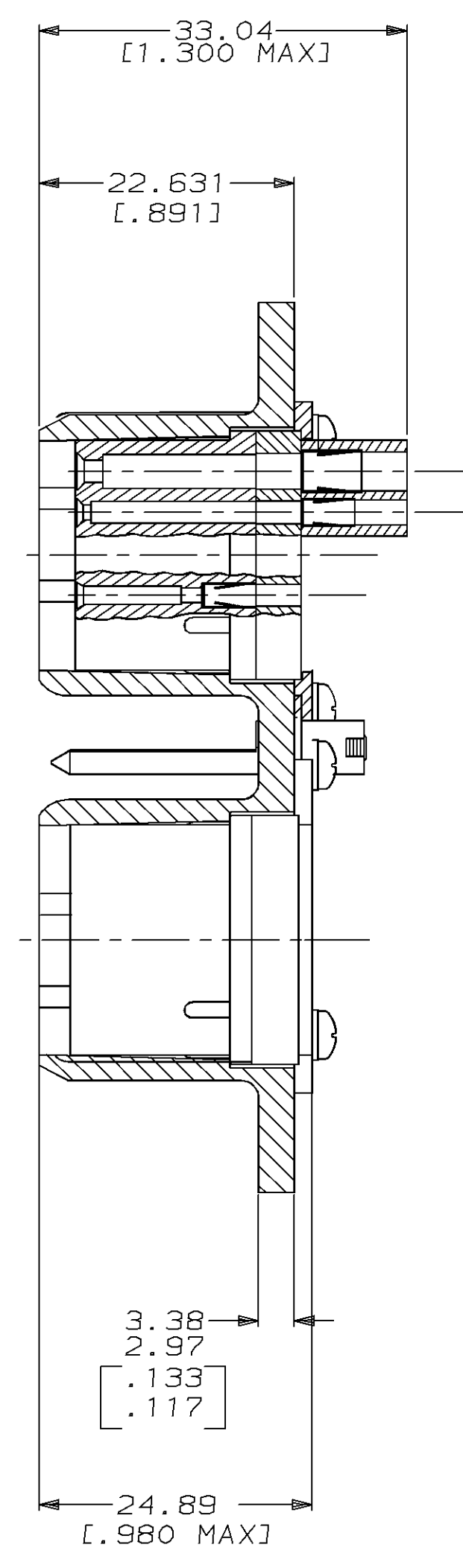
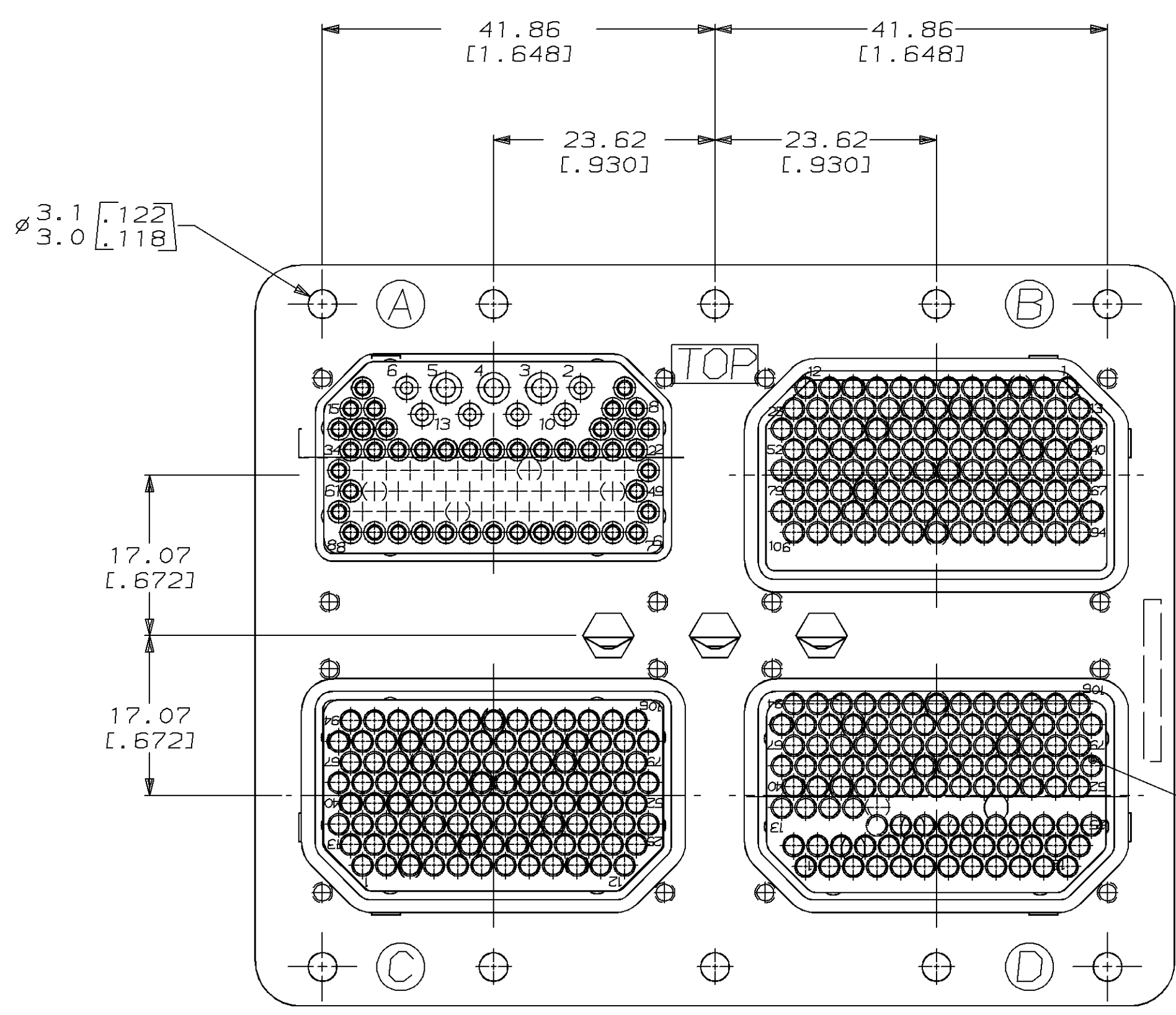
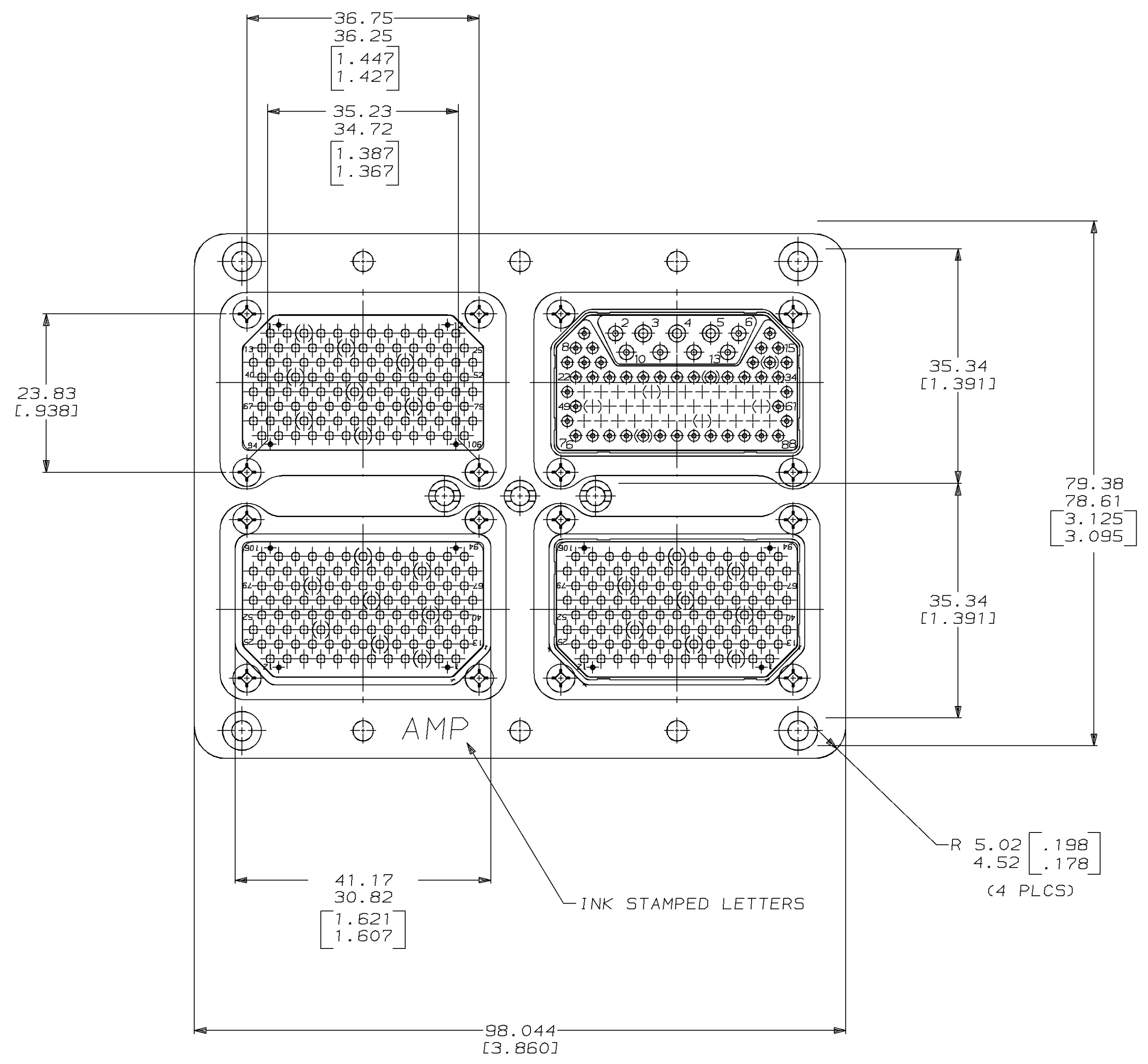


LOC		DIST		REVISIONS				
DF	AO	P	F	ZONE	LTR	DESCRIPTION	DATE	APPD
						O RLSED DR 4-231F TT	10-94	RG
						A REV PER 0600-3285-94 TT	01-95	KG



33C4 & SOCKET
 INSERT
 W/CAV. MARKING



CONTACTS	QTY	PART NO.
#22 PIN	397	204873-4
#20 SOCKET	6	205116-1
#16 SOCKET	3	205117-1

DO NOT SCALE PRINT. UNLESS SPECIFIED DIMENSIONS IN mm [INCHES] TOLERANCES ON : 2 PLC DEC ± - 3 PLC DEC ± - ANGLES ± -		DR 10-11-94 T. THOMPSON CHK 10-13-94 R. GROSS APPD 10-13-94 R. GROSS APPD 10-13-94 R. GROSS PRODUCT SPEC - FINISH -	AMP AMP Incorporated Harrisburg, PA 17105-3608 NAME RM4P88P106P106P106P-00 SIZE D CAGE CODE 00779 DRAWING NO C=443090 SCALE - SHEET 1 OF 1	
MATERIAL -		APPLICATION SPEC -	PART NO	
WEIGHT -			CUSTOMER DRAWING	

THIS DRAWING IS A CONTROLLED DOCUMENT FOR AMP INCORPORATED. IT IS SUBJECT TO CHANGE AND THE CONTROLLING ENGINEERING ORGANIZATION SHOULD BE CONTACTED FOR THE LATEST REVISION.