

USED ON

THIS INFORMATION IS CONFIDENTIAL AND PROPRIETARY TO TYCO ELECTRONICS CORPORATION AND ITS WORLDWIDE SUBSIDIARIES AND AFFILIATES. IT MAY NOT BE DISCLOSED TO ANYONE OTHER THAN TYCO ELECTRONICS PERSONNEL, WITHOUT WRITTEN AUTHORIZATION FROM TYCO ELECTRONICS CORPORATION, HARRISBURG, PENNSYLVANIA USA.

REV# NO

134810C

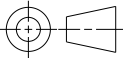

LOC

-

DIST

-

OBSOLETE

| | | | | | | | | | | | | |
|--|---------------|-----------------|----------|--------|------|---|--|------------------------------|--|--------------------------|----------------|-----------------|
| | | | | | | DWN M Greener | 12/01/10 | CHK J. Ambrose | 12/01/10 | APVD J Ambrose | 12/01/10 | |
| | | | | | | DIMENSIONS: mm | | MATERIAL - HT TR - | | | | |
| | | | | | |  | TOLERANCES UNLESS OTHERWISE SPECIFIED: | |  Tyco Electronics Bideford Devon EX39 4HE | | | |
| B | ECR-09-019901 | | 12/01/10 | MJG JA | | | 0 PLC ± 0 | 1 PLC ± 0 | 2 PLC ± 0 | NAME BNC PLUG | | |
| P | LTR | REVISION RECORD | DATE | DWN | APVD | SURFACE TEXTURE | 3 PLC ± 0 | 4 PLC ± 0 | | | | |
| THIS DRAWING IS A CONTROLLED DOCUMENT FOR TYCO ELECTRONICS CORPORATION IT IS SUBJECT TO CHANGE AND THE CONTROLLING ENGINEERING ORGANIZATION SHOULD BE CONTACTED FOR THE LATEST REVISION. | | | | | | FINISH | 0 | ANGLES | ± 0 | | | |
| | | | | | | SCALE | SIZE /FMT A4 | DRAWING NO C134810 | | SHEET 1 | OF 1 | REV B |