

THIS DRAWING IS UNPUBLISHED. RELEASED FOR PUBLICATION JULY, 2006.

© COPYRIGHT 2006 BY TYCO ELECTRONICS CORPORATION. ALL RIGHTS RESERVED.

LOC	DIST	REVISIONS					
E	B	P	LTR	DESCRIPTION	DATE	DWN	APVD
		B		ECR-06-017552	20JUL06	JMS	FWK

NOTES:

- 1 PACK IN ACCORDANCE WITH AMP SPEC 107-3275
- 2 100 TRAY PACK IN ACCORDANCE WITH AMP SPEC 107-3275
- 3 Ag PLATING
- 4 Ni PLATING
- 5 THIS ITEM MUST BE WHITE

6 ELECTRICAL CHARACTERISTICS

FREQUENCY RANGE: DC - 4 GHz
 NOMINAL IMPEDANCE: 50 Ohm
 INSULATION RESISTANCE: 5000 MOhm
 WORKING VOLTAGE: 500 Volts RMS at Sea Level
 DIELECTRIC WITHSTAND VOLTAGE: 1500 Volts RMS Max
 CONTACT RESISTANCE:
 CENTRE CONTACT: 1.50 mOhm Max
 OUTER CONTACT: 0.20 mOhm Max
 VSWR @ 4GHz: 1.30:1 Max
 INSERTION LOSS dB @ x 3 GHz: 0.20 Max

7 MECHANICAL CHARACTERISTICS

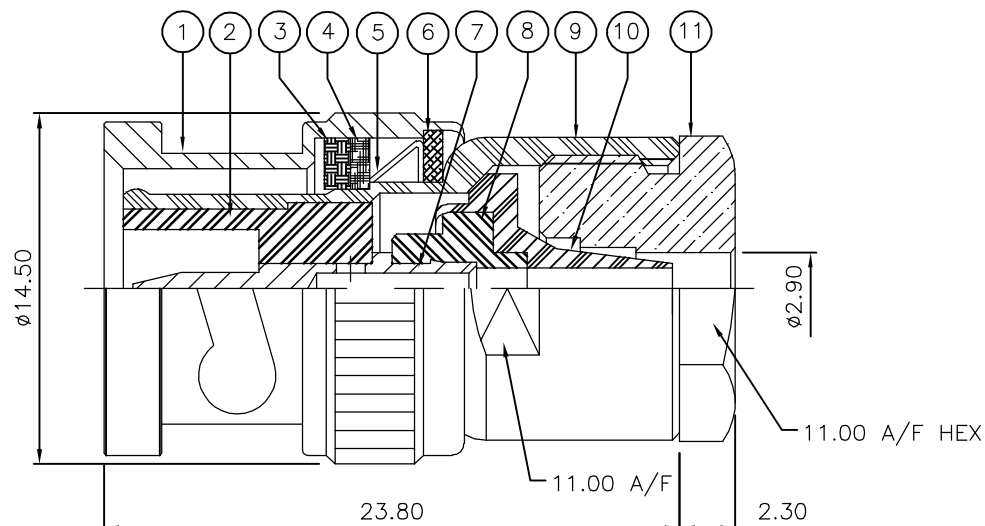
COUPLING NUT RETENTION FORCE: 445N Min
 CABLE RETENTION FORCE: 85N Min
 CLAMP NUT RECOMMENDED TORQUE: 4N
 DURABILITY: 500 Cycles Min

8 ENVIRONMENTAL CHARACTERISTICS

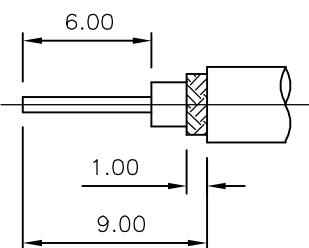
OPERATING TEMPERATURE: -65 to +165 DegC

9 FOR TECHNICAL DATA REFER TO YOUR LOCAL TYCO ELECTRONICS SALES OFFICE

10 ALL DIMENSIONS ARE NOMINAL FOR REFERENCE ONLY UNLESS OTHERWISE STATED



RECOMMENDED CABLE STRIPPING DIM'S



QTY	ASSEMBLY	MATERIAL	DESCRIPTION	ITEM
1	1	BRASS	CLAMP NUT	11
1	1	BRASS	SLEEVE	10
1	1	BRASS	BODY	9
1	1	PTFE	INSULATION	8
1	1	BRASS	CONTACT	7
1	1	BRASS	WASHER	6
1	1	SPRING STEEL	SPRING	5
1	1	BRASS	RETAINING RING	4
1	1	SILICONE RUBBER	GASKET	3
1	1	PTFE	INSULATION	2
1	1	BRASS	SHELL	1
6--0	1--0			

QUANTITY PER ASSY PARTS LIST

THIS DRAWING IS A CONTROLLED DOCUMENT.		DWN J.SANDWELL 20JUL06	Tyco Electronics Corporation Bideford EX39 4HE	
DIMENSIONS: mm	TOLERANCES UNLESS OTHERWISE SPECIFIED:	CHK S.PARLOW 20JUL06	NAME BNC STRAIGHT PLUG SOLDER 50 OHM RG174A/U, 188A/U, 316/U, URM95, KX3B, KX22A	
	0 PLC ± - 1 PLC ± - 2 PLC ± - 3 PLC ± - 4 PLC ± - ANGLES ± -	APVD F.WHEELER-KING 20JUL06	PRODUCT SPEC -	
MATERIAL SEE TABLE	FINISH -	APPLICATION SPEC 411-3253	WEIGHT -	RESTRICTED TO -
CUSTOMER DRAWING			SIZE A3	CAGE CODE 00779
			DRAWING NO C-1478154	SCALE NTS
			SHEET 1	OF 1
			REV B	