

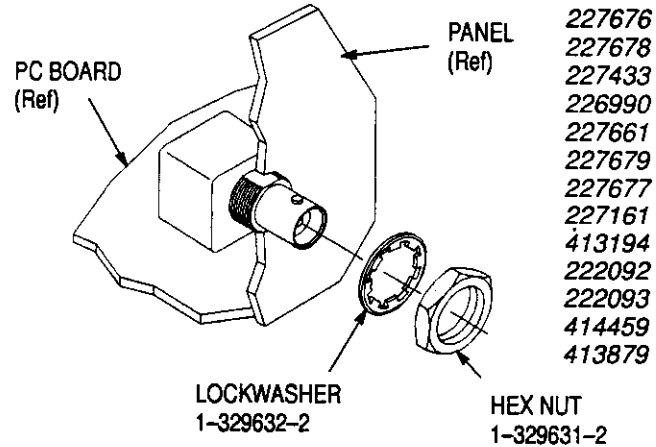
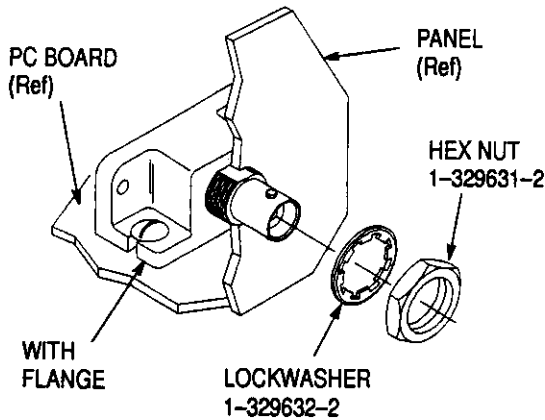


**AMP\* Commercial BNC Jack Connectors  
 for PC Board and Panel Mounting**

**CONNECTOR P/N**  
 226978

**RIGHT-ANGLE MOUNTING**

**CONNECTOR P/N**



- 227676
- 227678
- 227433
- 226990
- 227661
- 227679
- 227677
- 227161
- 413194
- 222092
- 222093
- 414459
- 413879

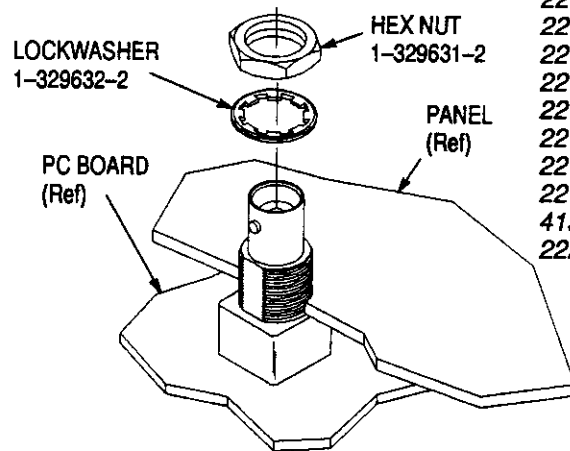
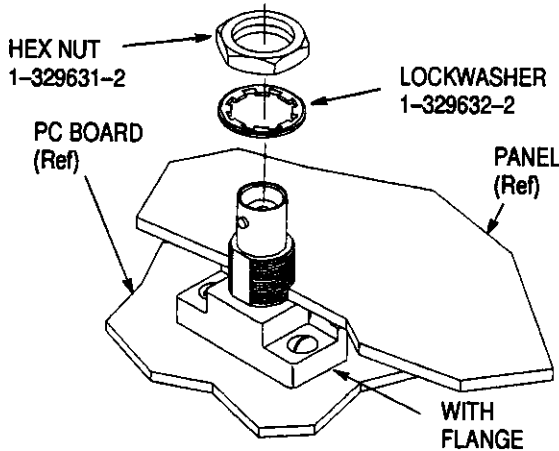
NOTE SEE FIGURE 2(A) FOR MOUNTING DIMENSIONS

NOTE SEE FIGURE 2(B) FOR MOUNTING DIMENSIONS

**CONNECTOR P/N**  
 226987

**VERTICAL MOUNTING**

**CONNECTOR P/N**



- 226993
- 227670
- 227671
- 227674
- 227675
- 227672
- 227673
- 227222
- 413528
- 222132

NOTE SEE FIGURE 2(C) FOR MOUNTING DIMENSIONS

NOTE SEE FIGURE 2(D) FOR MOUNTING DIMENSIONS

Figure 1

200-153E

**1. INTRODUCTION**

This instruction sheet covers the installation of AMP Commercial BNC Jack Connectors with the base part numbers listed in Figure 1.

**NOTE**

All dimensions on this sheet are in millimeters [with inch equivalents provided in brackets]. Illustrations are for identification only and are not drawn to scale.

**2. DESCRIPTION**

These connectors are designed for printed circuit (pc) board and panel-mount applications. There are styles available with and without mounting flanges for right-angle and vertical-mount installation, with metal and plastic body materials, with and without mounting posts, and with tin-, silver-, and gold-plated center contacts. The style used will depend on the

application requirements. Refer to the applicable AMP Customer Drawing for additional information.

**3. MOUNTING PROCEDURE (Figure 2)**

**A. PC Board Mounting**

**NOTE**

The maximum recommended pc board thickness is 3.175 mm [.125 in].

1. Make a hole layout in the pc board using the dimensions provided in the illustration for the connector being installed.
2. Secure the connector to the pc board.
  - a. If mounting a connector with mounting flanges, use two 5-40 screws, and secure the connector to the board with two nuts on the underside of the pc board.
  - b. If mounting a connector without mounting flanges and without mounting posts, use two

2-56 self-tapping screws, and secure the connector through the underside of the pc board.

**NOTE**

For flangeless, metal-body connectors, use 6.350 mm [.250 in.] self-tapping screws (AMP part no. 221108-4) with 1.587 mm [.0625 in.] thick pc board, and 7.925 mm [.312 in.] self-tapping screws (AMP part no. 221108-2) with 3.175 mm [.125 in.] thick pc board. For flangeless, plastic-body connectors, use 7.925 mm [.312 in.] self-tapping screws (AMP part no. 221108-2) with either pc board thickness.

c. If mounting a connector without mounting flanges and with mounting posts, solder the posts in the mounting holes.

### B. Panel Mounting

**NOTE**

The recommended panel thickness is from 1.168 mm [.046 in.] through 6.350 mm [.250 in.].

1. If the connector is to be mounted through a panel, make a D-shaped hole using the applicable dimensions provided in the illustration below.
2. Secure the connector to the panel with AMP Hex Nut 1-329631-2 and AMP Lockwasher 1-329632-2, or equivalent.

**NOTE**

Signal and ground posts should be hand- or wave-soldered to the pc board.

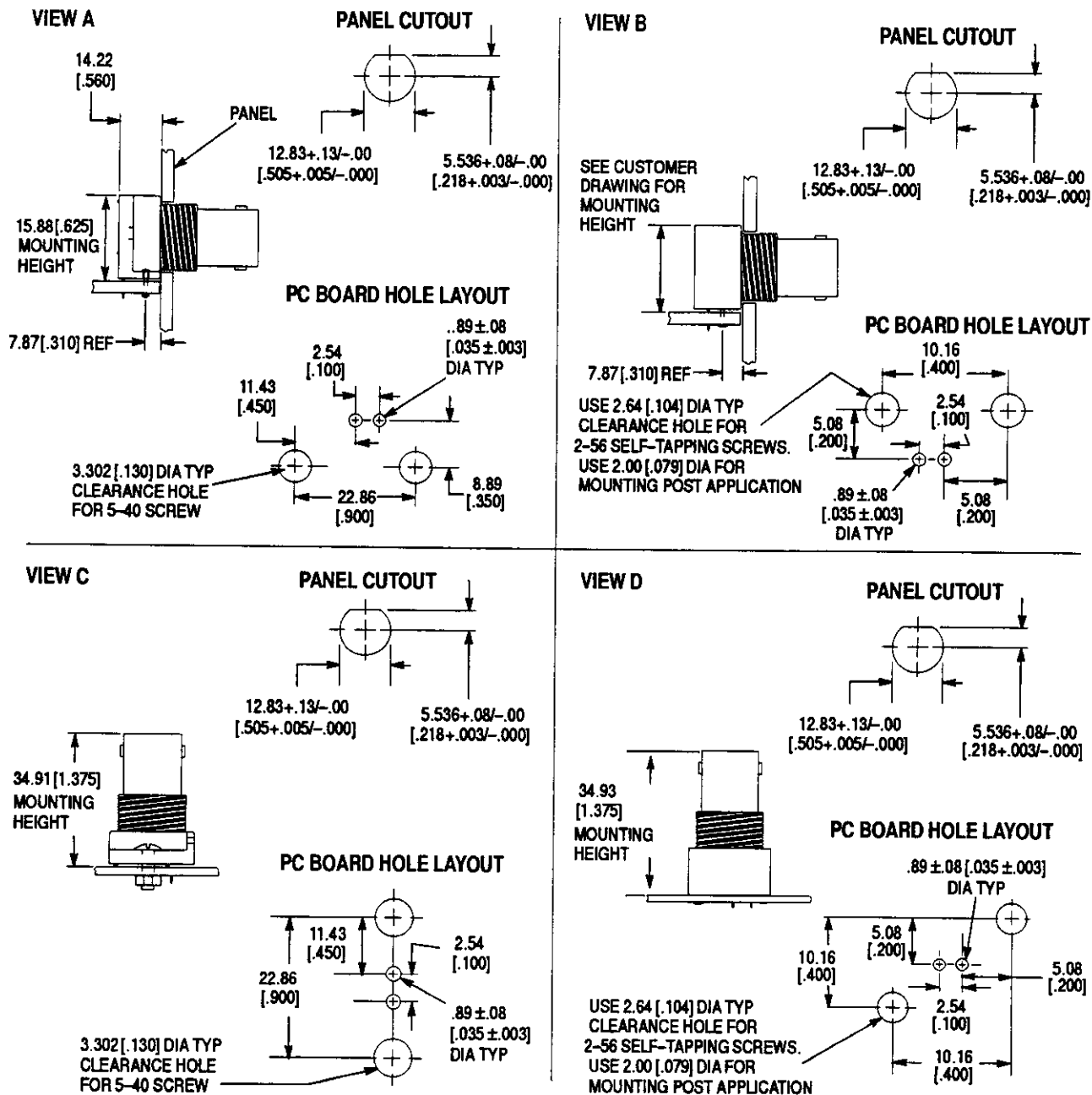


Figure 2

200-154E