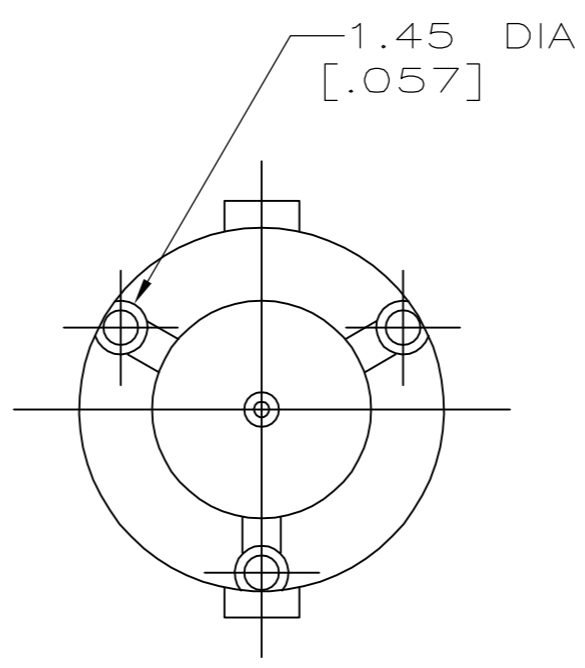
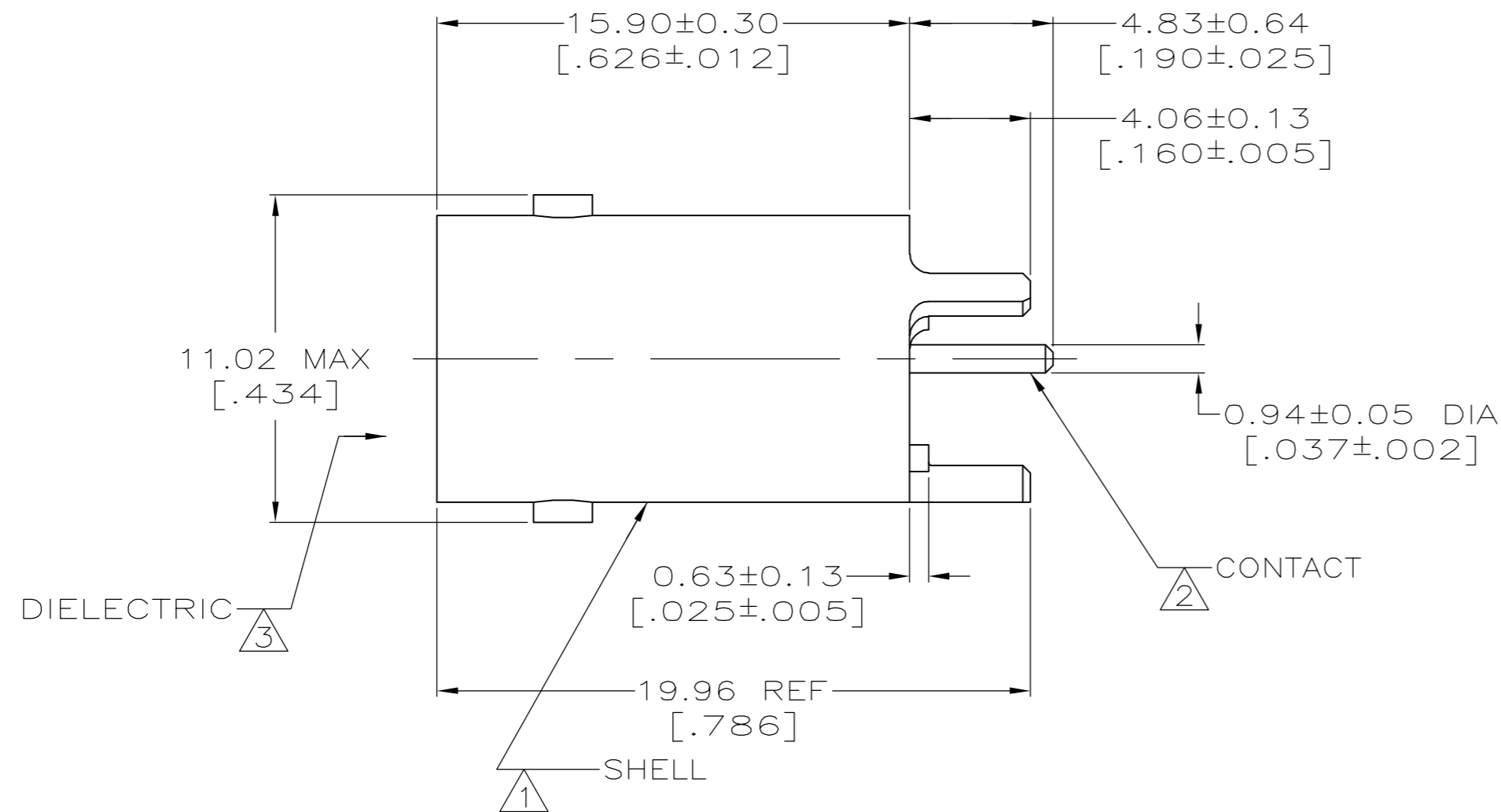
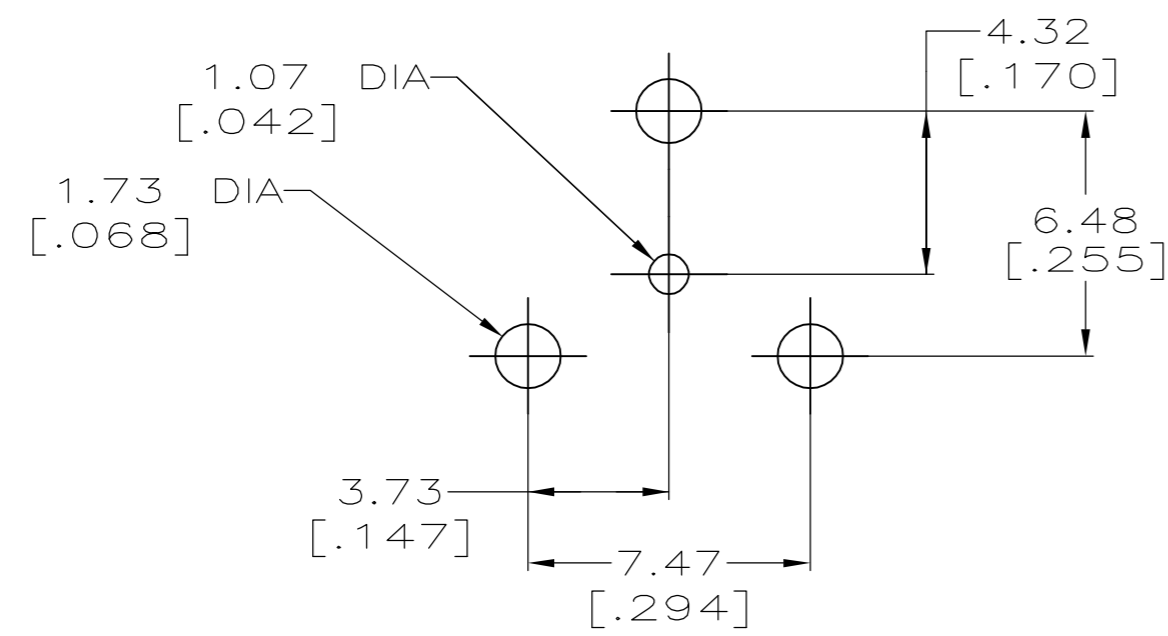


THIS DRAWING IS UNPUBLISHED. RELEASED FOR PUBLICATION
 © COPYRIGHT BY TYCO ELECTRONICS CORPORATION. ALL RIGHTS RESERVED.

LOC	DIST	REVISIONS					
		P	LTR	DESCRIPTION	DATE	DWN	APVD
AJ	00		H2	REVISED PER ECO 06-029805	2/5/2007	DW	JL



- 1 ZINC PER QQ-Z-363.
- 2 PHOSPHOR BRONZE PER ASTM-B-139.
- 3 POLYESTER PER ASTM-D-3220.
- 4 TIN PLATE PER ASTM-B-545, 2.54 μm [.000100] MIN THICK.
- 5 GOLD PLATE PER MIL-G-45204 0.76 μm [.000030] MINIMUM THICK.
- 6 SILVER PLATE PER QQ-S-365 2.54 μm [.000100] MINIMUM THICK.
- 7. FOR USE WITH .095 MAX THK PC BOARD.
- 8. SEE INSTRUCTION SHEET 408-9889.
- 9 TIN-LEAD PLATE PER ASTM-B-545, 2.54μm [.000100] MIN THICK.



OBSOLETE	4	5	9-221123-0
OBSOLETE	9	4	221123-3
	9	5	221123-2
OBSOLETE	9	6	221123-1
	SHELL PLATING		PART NUMBER
	CONTACT PLATING		

THIS DRAWING IS A CONTROLLED DOCUMENT.		DWN	J. LIPPERT	1-18-93	Tyco Electronics Corporation Harrisburg, PA 17105-3608	
DIMENSIONS: mm [INCHES]		CHK	A. GABANY	1-19-93		
TOLERANCES UNLESS OTHERWISE SPECIFIED:		APVD	A. GABANY	1-19-93		
0 PLC ± - 1 PLC ± - 2 PLC ± 0.08 [.003] 3 PLC ± - 4 PLC ± - ANGLES ± - FINISH		PRODUCT SPEC 108-12078 APPLICATION SPEC -		NAME		JACK, VERTICAL, PCB, 50 Ohm, COMMERCIAL BNC
MATERIAL	SEE NOTES 1 - 3	WEIGHT	-	SIZE	A2	
SEE NOTES 4 - 6		CUSTOMER DRAWING	SCALE	5:1	SHEET	1 of 1
			REV	H2	RESTRICTED TO	